

limited to, loss of use, loss of profits, loss of production, expense of substitute equipment or other commercial loss or damage.

Limitation of Liability: This limited warranty is in lieu of all other express warranties, obligations, or liabilities. Any implied warranties, obligations, or liabilities, including, but not limited to, any implied warranty of merchantability shall be limited in duration to the applicable warranty period. Any action for breach of any warranties hereunder, including, but not limited to, any implied warranty of merchantability must be brought within the applicable warranty period.

Modifications of Warranty: No agent, representative, dealer, or employee of KisanKraft Limited or any of its manufacturers has the authority to increase or alter the obligations of this warranty.

Assignment / Transfer of warranty: The warranty cannot be assigned and shall not transfer if the product is resold by the first buyer. The above warranties are extended to the first end user (original purchaser), and no warranty is made, nor authorized to be made assignable on resale by the first end user.

What you must do to obtain limited warranty service: To obtain performance of any obligation under this warranty for failure during the applicable warranty period, you must deliver the defective product, to the nearest Authorized Dealer, along with proof-of-purchase (invoice/receipt). KisanKraft Limited, its manufacturers and its dealers reserve the right to inspect the claimed defective part(s) to determine if the malfunction is the result of a defect covered by this warranty. Please note that the decision of KisanKraft Limited with respect to any warranty claim is final.

After-sales Service (Including Warranty): KisanKraft Limited does not sell directly to consumers. All sales or supplies are made through Authorized Dealers. It is the responsibility of the Authorized Dealer to provide all after-sales service to consumers. Any warranty claim should be raised by dealer to KisanKraft Limited as per warranty policy.

Jurisdiction: All disputes are subject to Bangalore court's jurisdiction.

Notes:

- This purchase is not contingent upon a product demonstration. The purchaser shall satisfy himself with the product, including any product demonstration or verification of any function, before buying. KisanKraft Limited and its authorized dealers, including online sellers, shall not be liable to give any on-site demonstration after purchase of any of the products.
- Any product once used will not be taken back by KisanKraft Limited.
- Warranty and After Sale Services (including but not limited to installation, Demonstration, Repair, Routine Maintenance etc.), should be done through the Authorized Dealer selling this product.
- Dealers should have their own technician to provide After Sales Services to their Customers. KisanKraft Limited provides free training to Authorized Dealer's technicians at KisanKraft Limited's head office, on request from Authorized Dealer

This warranty is null & void, if you fail to register the warranty with KisanKraft by sending the KisanKraft Copy with dealer's stamp.

KisanKraft Limited

Product	MINI LOADER	KisanKraft Invoice Date	
Brand	KisanKraft	KisanKraft Invoice No.	
Model	☐ KK-AT-320		
WARRANTY PERIOD	6 MONTHS	FOR THE SPECIFIED PERIOD FROM THE DATE OF SALE OR DELIVERY WHICHEVER IS EARLIER.	
Dealer's Invoice Date		Dealer's Invoice No.	
Buyer's Info (Name, Address, Phone, etc.):		Dealer's Stamp (Address, Phone, TIN, etc.):	
Buyer's Sign		Dealer's Sign	

Warranty Policy

What is covered: KisanKraft Limited and its manufacturers warrant this product to be free from defects in material or workmanship. All parts defective in material and workmanship are covered.

This warranty will only cover defects arising under normal usage.

This warranty is limited to repair or replacement by KisanKraft Limited or its manufacturers of such parts as appear to KisanKraft or its manufacturers, upon inspection, to be defective in material and/or workmanship. KisanKraft or its manufacturers make no warranty with respect to items not manufactured or sold by them. No onsite warranty is provided by KisanKraft Limited or its manufacturers. Defective items must be brought/sent to our Authorized Dealer or KisanKraft Limited's office for service.

What is not covered: The *warranty shall become null and void* and neither KisanKraft Limited nor any of its manufacturers, nor its authorized dealers assume any responsibility, if the failure was caused by the following:

- (1) Operation of product with incorrect fuel or lubricants, (2) Incorrect usage of machine or misuse, (3) Lack of maintenance, (4) Negligence, (5) Accident or physical damage, (6) Repairs made by unauthorized parties and/or with unauthorized parts, (7) Improper set up, adjustments, tampering or altered products (8) Any modification to the product what-so-ever.

Important: (1) Normal maintenance and adjustments to the product is the responsibility of the customer. (2) Normal wear and tears are not covered under warranty. (3) Rubber/plastic parts and consumables such as blades, clutch and clutch-bell, sparkplugs, nylon line, air-filters, fuel-filters, oil seals and gaskets etc. are not covered under the warranty. (4) Electrical Motor, Electrical Parts, Battery Etc. are not covered under the warranty.

Incidental / Consequential Loss: KisanKraft Limited or its manufacturers will not be liable for general damages, including bodily injuries, or for incidental or consequential damages including, but not limited to, loss of use, loss of profits, loss of production, expense of substitute equipment or other commercial loss or damage.

Limitation of Liability: This limited warranty is in lieu of all other express warranties, obligations, or liabilities. Any implied warranties, obligations, or liabilities, including, but not limited to, any implied warranty of merchantability shall be limited in duration to the applicable warranty period. Any action for breach of any warranties hereunder, including, but not limited to, any implied warranty of merchantability must be brought within the applicable warranty period.

Modifications of Warranty: No agent, representative, dealer, or employee of KisanKraft Limited or any of its manufacturers has the authority to increase or alter the obligations of this warranty.

Assignment / Transfer of warranty: The warranty cannot be assigned and shall not transfer if the product is resold by the first buyer. The above warranties are extended to the first end user (original purchaser), and no warranty is made, nor authorized to be made assignable on resale by the first end user.

What you must do to obtain limited warranty service: To obtain performance of any obligation under this warranty for failure during the applicable warranty period, you must deliver the defective product, to the nearest Authorized Dealer, along with proof-of-purchase (invoice/receipt). KisanKraft Limited, its manufacturers and its dealers reserve the right to inspect the claimed defective part(s) to determine if the malfunction is the result of a defect covered by this warranty. Please note that the decision of KisanKraft Limited with respect to any warranty claim is final.

After-sales Service (Including Warranty): KisanKraft Limited does not sell directly to consumers. All sales or supplies are made through Authorized Dealers. It is the responsibility of the Authorized Dealer to provide all after-sales service to consumers. Any warranty claim should be raised by dealer to KisanKraft Limited as per warranty policy.

Jurisdiction: All disputes are subject to Bangalore court's jurisdiction.

Notes:

- This purchase is not contingent upon a product demonstration. The purchaser shall satisfy himself with the product, including any product demonstration or Verification of any function, before buying. KisanKraft Limited or its authorized Dealers, including online sellers, shall not be liable to give any on-site Demonstration after purchase of any of the products.
- Any product once used will not be taken back by KisanKraft Limited.
- Warranty and After Sale Services (including but not limited to installation, Demonstration, Repair, Routine Maintenance etc.), should be done through the Authorized Dealer selling this product.
- Dealers should have their own technician to provide After Sales Services to their Customers. KisanKraft Limited provides free training to Authorized Dealer's Technicians at KisanKraft Limited's head office, on request from Authorized Dealer.

Product	MINI LOADER	KisanKraft Invoice Date	
Brand	KisanKraft	KisanKraft Invoice No.	
Model	☐ KK-AT-320		
WARRANTY PERIOD	6 MONTHS	FOR THE SPECIFIED PERIOD FROM THE DATE OF SALE OR DELIVERY WHICHEVER IS EARLIER.	
Dealer's Invoice Date		Dealer's Invoice No.	
Buyer's Info (Name, Address, Phone, etc.):		Dealer's Stamp (Address, Phone, TIN, etc.):	
Buyer's Sign		Dealer's Sign	

Warranty Policy

What is covered: KisanKraft Limited and its manufacturers warrant this product to be free from defects in material or workmanship. All parts defective in material and workmanship are covered.

This warranty will only cover defects arising under normal usage.

This warranty is limited to repair or replacement by KisanKraft Limited or its manufacturers of such parts as appear to KisanKraft or its manufacturers, upon inspection, to be defective in material and/or workmanship. KisanKraft and its manufacturers make no warranty with respect to items not manufactured or sold by them. No onsite warranty is provided by KisanKraft Limited or its manufacturers. Defective items must be brought/sent to our Authorized Dealer or KisanKraft Limited's office for service.

What is not covered: The *warranty shall become null and void* and neither KisanKraft Limited nor any of its manufacturers, nor its authorized dealers assume any responsibility, if the failure was caused by the following:

- (1) Operation of product with incorrect fuel or lubricants,
- (2) Incorrect usage of machine or misuse,
- (3) Lack of maintenance,
- (4) Negligence,
- (5) Accident or physical damage,
- (6) Repairs made by unauthorized parties and/or with unauthorized parts,
- (7) Improper set up, adjustments, tampering or altered products
- (8) Any modification to the product what-so-ever.

Important: (1) Normal maintenance and adjustments to the product is the responsibility of the customer. (2) Normal wear and tears are not covered under warranty. (3) Rubber/plastic parts and consumables such as blades, clutch and clutch-bell, sparkplugs, nylon line, air-filters, fuel-filters, oil seals and gaskets etc. are not covered under the warranty. (4) Electrical Motor, Electrical Parts, Battery Etc. are not covered under the warranty.

Incidental / Consequential Loss: KisanKraft Limited or its manufacturers will not be liable for general damages, including bodily injuries, or for incidental or consequential damages including, but not

This warranty is null & void, if you fail to register the warranty with KisanKraft by sending the KisanKraft Copy with dealer's stamp.

KisanKraft Limited



Wide Range of Products for Every Need



For more information give **MISSED CALL: 07676065555**



Many of our products have BIS: ISI certification.



Operation Manual



KisanKraft Limited

Warehouse: 818 3B1 to 818 3B18, Podalukur - Sangam Road, Prabagiripatnam, Podalukur, Nellore - 524345, Andhra Pradesh, INDIA

Head Office: #4, 1st Main, 7-A Cross, Maruthi Layout, Dasarahalli, HAF Post, Hebbal, Bangalore 560024, Karnataka, INDIA

- ◆ Bangalore (HO) ◆ Ahmedabad ◆ Bhopal ◆ Bhubaneswar ◆ Coimbatore
- ◆ Guwahati ◆ Hubli ◆ Hyderabad ◆ Jaipur ◆ Karnal
- ◆ Kolkata ◆ Lucknow ◆ Nellore ◆ Pune ◆ Raipur



Scan the QR code to download
KisanKraft App

App is available on



Scan the QR code for
KisanKraft Youtube Channel



CONTENTS

Before Getting Started.....	7
Safety Instructions.....	8
Driving Instructions.....	9
Overview.....	11
Driving and operating.....	12
Maintain and repair.....	14
Troubleshooting.....	20
Technical data.....	21
Part Diagram.....	23
Engine parts.....	24
Armrest components.....	25
Chassis and gear box comp 1.....	26
Chassis and gear box comp 2.....	28
Chassis and gear box comp 3.....	30
Container comp.....	33
Cover and belt comp.....	35

KisanKraft has a large range of products to serve the farmers. A list of our products is given below:

<p>Brush Cutters and Accessories</p> <ul style="list-style-type: none"> Brush Cutter/Power Weeder Backpack Brush Cutter Tea Pruner Pole pruner with Engine Reaper Attachment Blades-Circular Blades (2 & 3 points) Baffle Nylon Rope Tap & Go <p>Chainsaws</p> <ul style="list-style-type: none"> Petrol Chainsaw Electric Chainsaw Chain Sharpening Machine <p>Engines and Water Pumps</p> <ul style="list-style-type: none"> Engine –Diesel-(Horizontal) Engine –Diesel (Vertical) Engine-Kerosene Water Pump with Petrol Engine Water Pump with Kerosene Engine Water Pump with Diesel Engine <p>Hand Tools</p> <ul style="list-style-type: none"> Secateurs Folding Saw Garden Rake Garden Shovel Hedge Shear Lopper Telescopic Hedge Shear Telescopic Lopping Shear Tree Pruner Telescopic Steel Pipe & Fruit Picker Bag Sheep Shear <p>Garden Tools</p> <ul style="list-style-type: none"> Electric Pressure Washer Hedge Trimmer Lawn Mower (Electric, Petrol & Manual) Leaf Blower 	<p>Cultivators and Accessories</p> <ul style="list-style-type: none"> Petrol and Diesel <p>Sprayers and Accessories</p> <ul style="list-style-type: none"> Battery Sprayer Portable Power Sprayer Trolley Sprayer Manual Knapsack Sprayer Manual Pressure Sprayer Rose Cans Hose Crimping Machine HTP Sprayer HTP Delivery Hose HTP Hose Reel HTP Stand HTP Gun / Lance (Brass Rod) Knapsack Power Sprayer Mister / Duster / Granule Spreader HTP Sprayer Set with Diesel Engine HTP Sprayer Set with Kerosene Engine Fogging Machine <p>Milking Machine</p> <ul style="list-style-type: none"> Wood Shredder Fodder Ensiling Chaff Cutter Fodder Grinder Chaff Cutter Fodder Mini Chaff Cutter <p>Harvester</p> <ul style="list-style-type: none"> Maize Sheller Maize Sheller + Dehusker Maize Combine Harvester Onion Digger Carlotti Italy Tea Leaf Harvester Sugarcane Combine Harvester Sugarcane Leaf Stripper <p>Transplanter and Post Hole Digger</p> <ul style="list-style-type: none"> Paddy Transplanter (2 & 8 Rows) Transplanter-Vegetable & Tobacco Post Hole Digger (4" to 14" Augers)
---	---

Ref No		Description	Qty
1	360410006	Cross pan head screw M6x35	2
2	2608800001-0001	Plastic cover	1
3	361030001	Straight forced filling oil cup M6	1
4	2502200001-0001	Container stay bar	1
5	2413700001-0001	Spring clip	1
6	360220039	Flange Bolt, M8x16	4
7	2601500049-0002	Big belt pulley cobber	1
8	360220026	Flange bolt M6x16	1
9	360590001	Washer 6, Special	1
10	3404700003-0001	Tension pulleys return spring	1
11	360980015	Round head key 5*5*35	1
12	2123000001-0001	Big belt pulley	1
13	2123600024-0001	Belt 13x785	1
14	2420400002-0001	Cover support frame	1
15	360260013	Bolt M10x150	2
16	360030004	Nut M10	2
17	3015000003-0001	Star handle M10 * 20	2
18	360040004	Nut M6	2
19	2425700001-0001	Limit plate	1

Product	MINI LOADER	KisanKraft Invoice Date	
Brand	KisanKraft	KisanKraft Invoice No.	
Model	☐ KK-AT-320		
WARRANTY PERIOD	6 MONTHS	FOR THE SPECIFIED PERIOD FROM THE DATE OF SALE OR DELIVERY WHICHEVER IS EARLIER.	
Dealer's Invoice Date		Dealer's Invoice No.	
Buyer's Info (Name, Address, Phone, etc.):		Dealer's Stamp (Address, Phone, TIN etc.):	
Buyer's Sign		Dealer's Sign	

Warranty Policy

What is covered: KisanKraft Limited and its manufacturers warrant this product to be free from defects in material or workmanship. All parts defective in material and workmanship are covered.

This warranty will only cover defects arising under normal usage.

This warranty is limited to repair or replacement by KisanKraft Limited or its manufacturers of such parts as appear to KisanKraft or its manufacturers, upon inspection, to be defective in material and/or workmanship. KisanKraft or its manufacturers make no warranty with respect to items not manufactured or sold by them. No onsite warranty is provided by KisanKraft Limited or its manufacturers. Defective items must be brought/sent to our Authorized Dealer or KisanKraft Limited's office for service.

What is not covered: The *warranty shall become null and void* and neither KisanKraft Limited nor any of its manufacturers, nor its authorized dealers assume any responsibility, if the failure was caused by the following:

(1) Operation of product with incorrect fuel or lubricants, (2) Incorrect usage of machine or misuse, (3) Lack of maintenance, (4) Negligence, (5) Accident or physical damage, (6) Repairs made by unauthorized parties and/or with unauthorized parts, (7) Improper set up, adjustments, tampering or altered products (8) Any modification to the product what-so-ever.
Important: (1) Normal maintenance and adjustments to the product is the responsibility of the customer. (2) Normal wear and tear are not covered under warranty. (3) Rubber/plastic parts and consumables such as blades, clutch and clutch-bell, sparkplugs, nylon line, air-filters, fuel-filters, oil seals and gaskets etc. are not covered under the warranty. (4) Electrical Motor, Electrical Parts, Battery Etc. are not covered under the warranty.

Incidental / Consequential Loss: KisanKraft Limited or its manufacturers will not be liable for general damages, including bodily injuries, or for incidental or consequential damages including, but not limited to, loss of use, loss of profits, loss of production, expense of substitute equipment or other commercial loss or damage.

Limitation of Liability: This limited warranty is in lieu of all other express warranties, obligations, or liabilities. Any implied warranties, obligations, or liabilities, including, but not limited to, any implied warranty of merchantability shall be limited in duration to the applicable warranty period. Any action for breach of any warranties hereunder, including, but not limited to, any implied warranty of merchantability must be brought within the applicable warranty period.

Modifications of Warranty: No agent, representative, dealer, or employee of KisanKraft Limited or any of its manufacturers has the authority to increase or alter the obligations of this warranty.

Assignment / Transfer of warranty: The warranty cannot be assigned and shall not transfer if the product is resold by the first buyer. The above warranties are extended to the first end user (original purchaser), and no warranty is made, nor authorized to be made assignable on resale by the first end user.

What you must do to obtain limited warranty service: To obtain performance of any obligation under this warranty for failure during the applicable warranty period, you must deliver the defective product, to the nearest Authorized Dealer, along with proof-of-purchase (invoice/receipt). KisanKraft Limited, its manufacturers and its dealers reserve the right to inspect the claimed defective part(s) to determine if the malfunction is the result of a defect covered by this warranty. Please note that the decision of KisanKraft Limited with respect to any warranty claim is final.

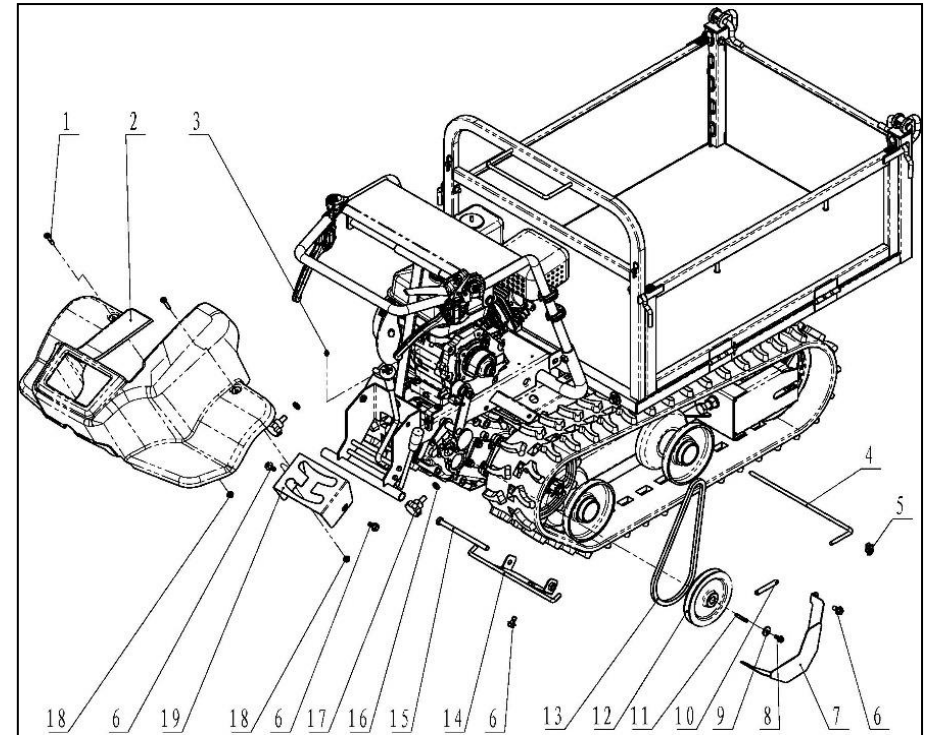
After-sales Service (Including Warranty): KisanKraft Limited does not sell directly to consumers. All sales or supplies are made through Authorized Dealers. It is the responsibility of the Authorized Dealer to provide all after-sales service to consumers. Any warranty claim should be raised by dealer to KisanKraft Limited as per warranty policy.

Jurisdiction: All disputes are subject to Bangalore court's jurisdiction.

Notes:

- This purchase is not contingent upon a product demonstration. The purchaser shall satisfy himself with the product, including any product demonstration or verification of any function, before buying. KisanKraft Limited or its authorized dealers, including online sellers, shall not be liable to give any on-site demonstration after purchase of any of the products.
- Any product once used will not be taken back by KisanKraft Limited.
- Warranty and After Sale Services (including but not limited to installation, Demonstration, Repair, Routine Maintenance etc.), should be done through the Authorized Dealer selling this product.
- Dealers should have their own technician to provide After Sales Services to their Customers. KisanKraft Limited provides free training to Authorized Dealer's technicians at KisanKraft Limited's head office, on request from Authorized Dealer

Cover and belt comp.



15	3402200004-0001	Circlip B	4
16	2501000001-0002	Ring chain 4 * 36 * 15 * 15	4
17	3420000004-0001	Half-round head pin shaft 10*30	2
18	3420000005-0001	Half-round head pin shaft 10*30	2

Before Getting Started

Thanks for purchasing from us.

In order that you can operate our machine safer, the instructions contain methods for operating ,maintain and checking.

Correctly operating method is on basis of reading and grasping.



Warnings

Forbid operating, maintaining, and checking the machine read and know the instructions.

Please safe keep the instructions in order to operate, maintain and check the machine in time.

About the machine



Warnings

This machine exists potential dangers, you should operate maintain and check based on the instructions.

This machine is for fields convey, not for other ways.

Forbid operating on such roads, national highways. If there are any accidents on such road ,our factory will not burden any responsibility.

Forbid changing the machine, in order to avoid any accidents, forbid taking off the proof cover.

About the warnings items in this instructions

The instructions define warnings to below parts based on danger level(or accidents level)

Please get understood for warning items below, and then operate the machine.

item	meaning
dangers	Very dangerous warning, without notice, may cause fatal accidents
warnings	potentially dangerous warning, without notice, may cause fatal accidents
cautions	potentially dangerous warning, without notice, may cause accidents or injury. Even will harm the machine.
suggestions	Attract one attention, or feedback your advice

about the operating purpose for the machine

The machine is for short way convey. Forbid use for other purposes or any changes.

Or cannot get any guarantees.

Attached tools.

No.	name	q'ty	notes
1	operating instructions for main set	1	
2	operating instructions for engine	1	
3	Wrench only for spark plug	1	
4	Dual-purpose screwdriver	1	
5	Open spanner 8-10	1	
6	Open spanner 12-14	1	
7	Open spanner 13-15	1	
8	Funnel	1	
9	Funnel gas pipe	1	

Safety Instructions

Safety driving, safety operating

General safety precautions must comply with this record of driving and operation. Driving operation must be in accordance with the provisions of the articles of association of security matters, always remember to safe driving, safety operation.



Before driving instructions.

The right to wear safety clothing and wear safety guard.
Do not wear the leisure clothes like vests, shorts and sandals when operating.



Check before operation.

Check carefully before starting ,any faults need to be removed timely.



Fire forbidden.

Fire away from fuel.
Future more, add the fuel after engine off.



Sitting forbidden

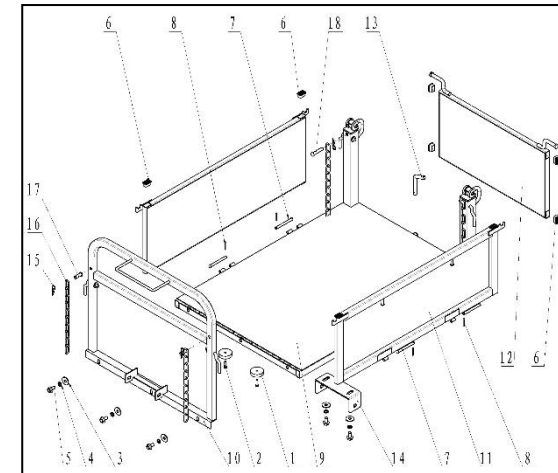
Sitting is forbidden, also forbid sitting while driving.



Against drunk driving

Forbid anyone driving who is drunk or not in state. then forbid the one who is not suitable to drive and operate.

Container comp



Ref No		Description	Qty
1	2424900002-0001	Cushion	2
2	360410026	Cross pan head screw M6x25	2
3	360650004	Washer 10	5
4	360620015	Washer spring 8	5
5	360220055	Flange Bolt M10x25	5
6	2500900001-0001	Container plug	8
7	361020018	Pin 7.3x67	4
8	360560009	Split pin 2x18	4
9	2501400001-0001	Container under board	1
10	2501300001-0002	Container front board	1
11	2501200001-0001	Container sideboard	1
12	2501100001-0001	Container back board	1
13	2500700001-0001	Backboard lock pin	1
14	2414000001-0001	Bottom board support	1

45	2107700001-0001	1-R slippage gear	1
46	2107900001-0001	1-R driven gear	2
47	2108000001-0001	II shaft driving gear	1
48	2108300001-0001	III gear driving gear	1
49	2108200001-0001	III gear driven gear	1
50	2136500001-0001	III shaft middle sheath	1
51	2108100001-0001	III shaft driven gear	1
52	2136700001-0001	III shaft short sheath	1
53	2418500003-0001	Left case cover	1
54	360720040	Bearing Ball, 6206	2
55	2103300002-0001	Turning separate fork	2
56	360800030	Oil seal FB15x26x6	2
57	360220062	Flange Bolt M10x20	4
58	360850008	cylindrical pin 8 * 18	2

Driving Instructions.



Forbid to drive were in poor ventilation.

Start and drive the engine, in good ventilation places, to avoid get poisoned by output gas.



Cautions on bevelled road, slow down at downhill.

When at downhill, turn the sub-transmission bottom to low place, slow down to avoid any accidents via skidding or rollover.

Observe the safety speed.

Operating whiles confirm that it's safe all around, cautions for road conditions, to control the safety driving.

Forbid the sudden starting, sudden accelerating, sudden sharp turning, sudden parking.

Forbid sudden starting, sudden accelerating, sudden sharp turning, sudden parking, will cause driver to be hurt or let the machine to be skid, or roller over

Forbid the machine crossing the road or turning on bevelled level.

No crossing at bevelled road, to avoid any skidding or rolling over, then also forbid turning around when bevelled level to avoid any reverse, Kiding, and roller over.

Driving in danger, please obey the indicator.

When in condition of blurring view, narrow, bevel or up and down roads, please obey indicator and prepare to restart once confirm it's safe.

Loading Cautions

Forbid Over Loading.

Forbid to load over the max capacity or this machine.

Correct To Load The Goods.

To avoid placing uneven, let the machine roll over, please place them even and fasten with rope, moreover, should avoid the height to ensure the sight view.

Cautions For Quantity Restrictions.

When crossing the wood bridge, please make sure the total quantity of machine, goods, and operator lower than max bearing quantity. And cross within limited speed.

Cautions for loading capacity at the bevelled level.

At the degree 15-20 bevelled level, loading capacity should control within 150KG. when at 20-25, should bear nothing to drive. Forbid to drive while the level over 25 degrees. Forbid to shift while overloading or at bevelled level.

Forbid To Operate the Bucket While at Bevelled Level

Forbid to operate the bucket while at bevelled level, which will let the machine roll over. Lay the machine at the horizontal position if must take the step.

Parking Instructions

Forbid to park in danger area.

Park at the stable roads, forbidden in danger area.

Fasten the wheels when parking at bevelled level.

Forbid to park in bevelled level, fasten the wheels if must.

Precautions

Stop the engine while check and setup.

Stop the engine while checking.

Cautions for scald.

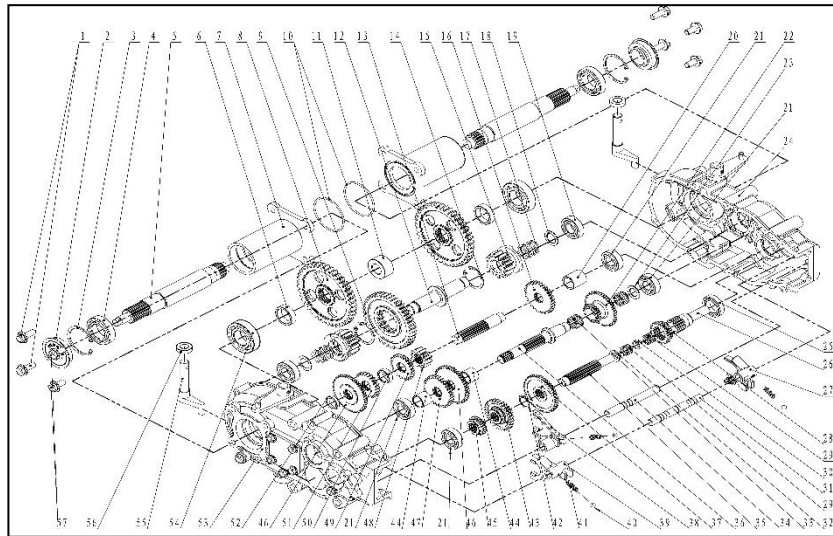
Every part and lubricating oil are in high temperature while stopping the engine, easily can get scald. Please maintain the machine while cool down.

Fire forbidden.

Fire forbidden while maintain the machine.

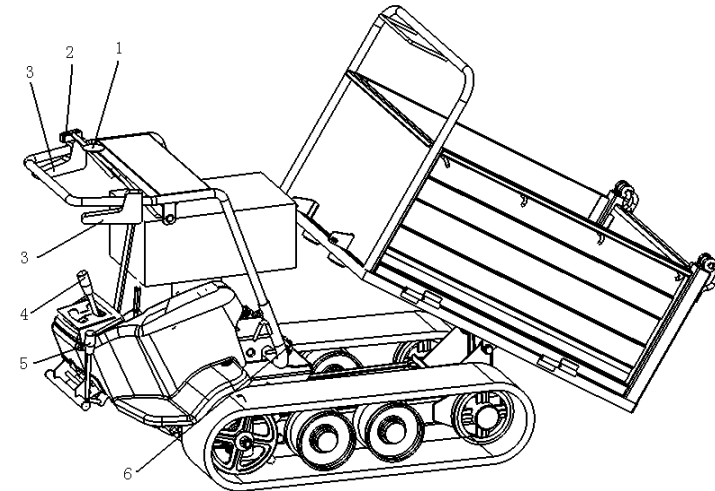
15	2108400001-0001	Turning gear	2
16	2117200005-0001	2nd gear driven gear	1
17	3404700004-0001	Walking return spring	2
18	2136300001-0001	IV shaft gasket	2
19	360720009	Bearing Ball, 6004	2
20	2136600001-0001	III Shaft long sheath	1
21	360720025	Bearing Ball, 6203	5
22	2107800001-0001	Vice speed double-toothed gear	1
23	2136400001-0001	II shaft thin gasket	1
24	2418500004-0001	Right case cover	1
25	360720064	Bearing Ball, 61905	1
26	2114500001-0001	Input shaft	1
27	2103400001-0001	High-Low speed fork	1
28	2107400001-0001	Vice speed slippage gear	1
29	360770004	Needle bearing K14x18x13	2
30	2138000001-0001	Input shaft clip	1
31	2103800001-0001	Up fork	1
32	2138200001-0001	Gasket between input shaft and I shaft	1
33	360770003	Needle bearing K20x24x13	2
34	2103900001-0001	Down fork	1
35	2115000001-0001	I shaft	1
36	2122000004-0001	II shaft	1
37	2107500001-0001	Vice speed driven gear	1
38	2102700002-0001	2-3 gear fork	1
39	2101800006-0001	1-R gear fork	1
40	360970004	Steel ball Sφ8	3
41	3404800012-0001	Spring (8x25)	3
42	360920011	Clip 20, Shaft lock,	1
43	2107600001-0001	2-3 slippage gear	1
44	2136100001-0001	II shaft sheath	2

Chassis and gear box comp 3



Ref No		Description	Qty
1	360220055	Flange Bolt M10x25	4
2	3409100001-0001	Combination oil seal 30x55x18	2
3	360910012	Clip 55	2
4	360720012	Bearing Ball, 6006	2
5	2136800001-0001	V shaft	2
6	2137100001-0001	V shaft sheath	2
7	2427600002-0001	Support seat	2
8	2108600001-0001	V shaft driven gear	2
9	2108500001-0001	IV shaft driven gear	1
10	3416100007-0001	O-ring 65x2.65	2
11	2136900001-0001	V shaft connection sheath	1
12	2136200001-0001	IV shaft	1
13	2115100001-0001	III Shaft	1
14	360910025	Clip 42	2

Overview



1. Walking clutch lever.....control the machine to operate and stop.
2. Accelerating lever.....to control the rotary speed for the engine.
3. Turning clutch lever.....to control the machine for turning.
4. Gear lever.....to control the speed while forward or reverse.
5. Sub-gear leverto control the speed while walking.
6. The fixed rod for bucket.....fix the bucket, take out the rod when dumping, lift the bucket. Therefore, which can prevent the bucket from falling down while working.

Driving and operating

Before driving preparations.

Check before working

Checking before driving the machine, about checking tips(checking list)

Fuel checking and supplying

1. open the tank cap, check the oil level, please add if not enough.
2. adding after open the cap
3. Put back the cap.

suggestions using fuel: Unleaded Petrol for automobile *oil capacity:3.6L*



Warnings

- fuel-adding should be away from fire.
- fuel-adding, should operate while the engine stops.
- Fuel-adding, should not pour out the oil level, cautions for oil leak. clean which pours out.

Ignition method (refer to instructions)



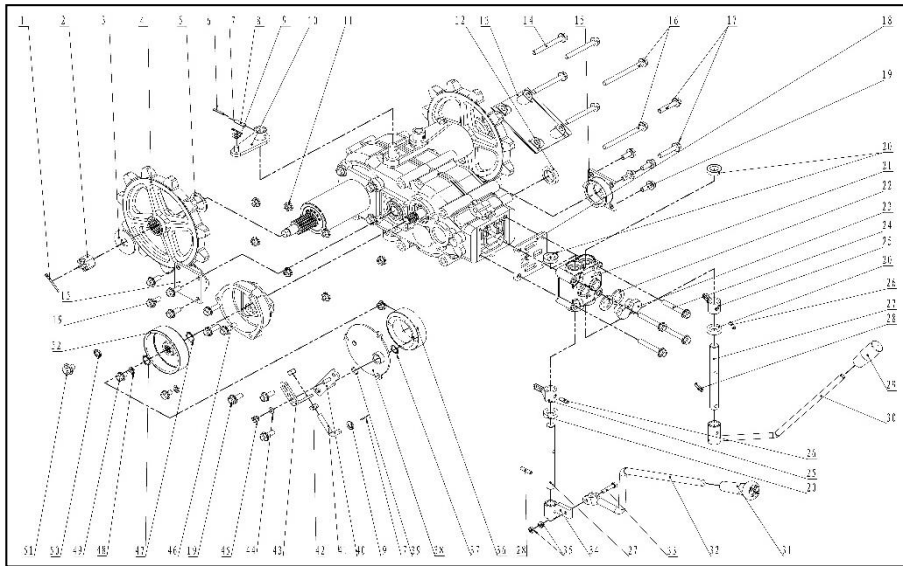
Warnings

- Do not close to the people around while driving.
- Make sure the safety affairs around, roads/slopes level before driving the machine in order to keep the speed.
- Forbid sudden forward, sudden accelerating, sudden sharp turning, to avoid any skidding, turning over.
- At the beveled level, please turn the sub-gear lever to the low position, low speed to forward, or it will make driver injured, or make the machine skid or roll over.
- Forbid to cross the road, will cause skidding or turning over.
- Forbid to turnaround at the beveled level, will easily cause machine reverse, skidding, or turning over.
- When in condition of blurring view, narrow, bevel or up and down roads, please obey

At winter or dry and cold environment, please warm up before driving, if not ,will reduce the service for the machine.

17	360220043	Flange Bolt M8x40	2
18	2116900001-0001	Lever limit place	1
19	360220040	Flange bolt M8x20	11
20	360800030	Oil seal FB15x26x6	6
21	2104400001-0001	Fork lever box	1
22	3407900003-0001	Combination airproof 16	2
23	2425000001-0001	Breather plug	2
24	360220048	Flange Bolt M8x55	4
25	2405300002-0001	Driving lever	2
26	360580022	Pin 6x22	2
27	2139600001-0001	Driving lever shaft	2
28	360580023	Cylindrical pin 6x24	2
29	3000500001-0001	Grip rubber	1
30	2132200001-0001	High-Low gear change lever	1
31	3000500010-0001	12 rod sheaths	1
32	3016900001-0001	Shift gear lever	1
33	360250013	Bolt, M6x30	1
34	3016800001-0001	Shift gear lever sheath	1
35	360010002	Nut M6	2
36	2806600001-0001	Break piece (TB50)	1
37	360920001	Clip 14, Shaft lock,	1
38	2807300001-0001	Break box welding part	1
39	3416100008-0001	O-ring 10.6x1.8	1
40	2807500001-0001	Break box turning arm welding part	1
41	2420000001-0001	Hook-headed screw	1
42	360010003	Nut M8	2
43	2425200001-0001	Camshaft arm plate	1
44	360660004	Washer 6	1
45	360120005	Locker Nut, M8	1
46	360220040	Flange Bolt M8x20	3
47	360920002	Clip 16, Shaft lock,	2
48	3407900001-0001	Combination airproof 8	2
49	360220038	Flange Bolt M8x12	2
50	3407900002-0001	Combination airproof 10	1
51	360220153	Flange Bolt M10x12	1
52	2806500001-0001	Drum break	1

Chassis and gear box comp 2



Ref No	Part Code	Description	Qty
1	360560018	Pin 3.2x32	2
2	360060005	Flange nut M16	2
3	3402400005-0001	Washer 16x32x5	2
4	2135300001-0001	Driving pulley	2
5	2137000001-0001	V shaft outside gasket	2
6		Cylindrical pin 3.5x24	2
7	360560009	Pin 2x18	3
8	360580023	Cylindrical pin 6x24	2
9	360660010	Washer 8	3
10	2140700002-0001	Turning detached arm	2
11	360040009	Nut Flange M8	8
12	360800031	Oil seal FB24x35x7	1
13	2116800001-0001	Transmission box guard board	1
14	360220047	Flange Bolt M8x70	4
15	2104500001-0001	Stop motion plate	2
16	360220054	Flange Bolt M8x95	2

warnings

- Start the engine at ventilation area to avoid get poisoned.
- start the engine after confirm safety background.
- Make sure the clutch at the stop position before starting the engine to avoid the machine running to cause anv accidents.

1. Make sure the clutch is in stop position.
2. Make sure the gearshift is at neutral position.
3. Turn the fuel tap to the on position.
4. Turn the throttle valve to the off position.
5. **Suggestions:** no need this step when the engine is hot
6. Turn the accelerating lever to the high position a little
7. Turn the main switch to the on position.
8. Pull the cable, start the engine.
9. Turn the accelerating lever to the lower position after running the engine.
10. Turn the throttle valve to the staring position.
11. 1-2 minutes working without any burden to warm up the machine.
12. **suggestions** :after you have the machine, the first week(about 40-50h)just for running, avoid any overloading

Driving method

1. Make sure the safety affairs around the machine.
2. Make sure the clutch is at the stop position.
3. Turn the gear lever and sub-gear lever to the neutral position.
Suggestions About the walking speed for each gear lever, please refer to the technical data. Turn the clutch forward to walking side slightly if gear lever cannot move, then you can turn it again.
4. Turn the accelerating lever forward to HIGH position, can speed up the output rotary speed.
5. turn the clutch to start position to start the machine.
6. Turning left, operate the left clutch handle.
7. Turning right, operate the right clutch handle.

Speed changing method.

Warnings

- When changing the speed, should stop the machine.
- Changing the speed with right way, if not, will easily lead to stall off.

1. Confirm the machine in stop state and cannot change speed while overloading or at the bevelled level.
 2. Make sure the gear lever and sub-gear lever are at its proper position.
- Suggestions*

About walking positions corresponding to different speed positions, please refer to the technical data.
Turn the clutch forward to walking side slightly if gear lever cannot move, then you can turn it again.

Parking method

Warnings

- Forbid sudden parking, will easily cause machine turn over.
- Stop the machine in flat area without any potential dangers.
- Forbid to park in beveled level, if necessary, should fasten the wheels.

1. Turn the accelerating lever forward LOW side, to slow down the machine.
2. Turn the clutch lever forward PARKING position, to stop the machine.
3. Turn the gear lever to N position.
4. Turn the main swift to OFF position to stop the engine.
5. Turn the fuel swift to OFF position.

suggestions: When the engine working under low speed, the spark plug can easily get carbon residue .Should remove them with high speed after long time in lower.

Maintain and repair.

Supply or change list.

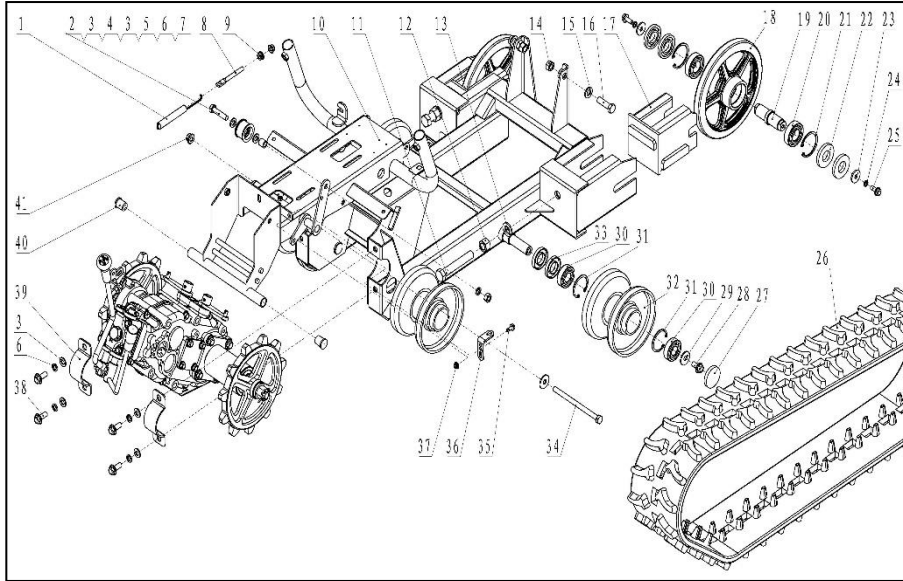
Cautions

Not in time maintenance is the main cause for accident. In order keep it in good state, please check and maintain the machine in time.

item	period for supplying and changing	recommended products	capacity
------	-----------------------------------	----------------------	----------

16	360250048	Bolt M12x45	2
17	2139400001-0001	Tensioning fork	2
18	2139700002-0001	Tension pulley	2
19	2136000001-0001	Tension wheel shaft	2
20	360720037	Bearing Ball, 6205-2Z	4
21	360910011	Retaining ring 52	4
22	3408800019-0001	Oil seal FB25x52x7	8
23	360650001	Washer 8	4
24	360620008	Washer Spring 8	4
25	360220040	Flange Bolt M8x20	4
26	2806200002-0001	Rubber pedrail 160x60x37	2
27	2807000001-0001	Thrust wheel oil plug 47x6.5	4
28	360220055	Flange Bolt M10x25	4
29	360650004	Washer 10	5
30	360720034	Bearing Ball, 6204-2Z	8
31	360910006	Retaining ring 47	8
32	2806300001-0001	Thrust wheel welding	4
33	360800033	Oil seal FB25x47x7	8
34	360260013	Bolt M10x150	1
35	360220027	Flange Bolt M6x20	1
36	2425200001-0001	Camshaft arm plate	1
37	360040004	Nut Flange M6	1
38	360220062	Flange Bolt M10x20	4
39	2134400001-0001	Output shaft platen	2
40	2426200001-0001	Rubber plug	2
41	360040015	Nut Flange M10	1

Chassis and gear box comp 1



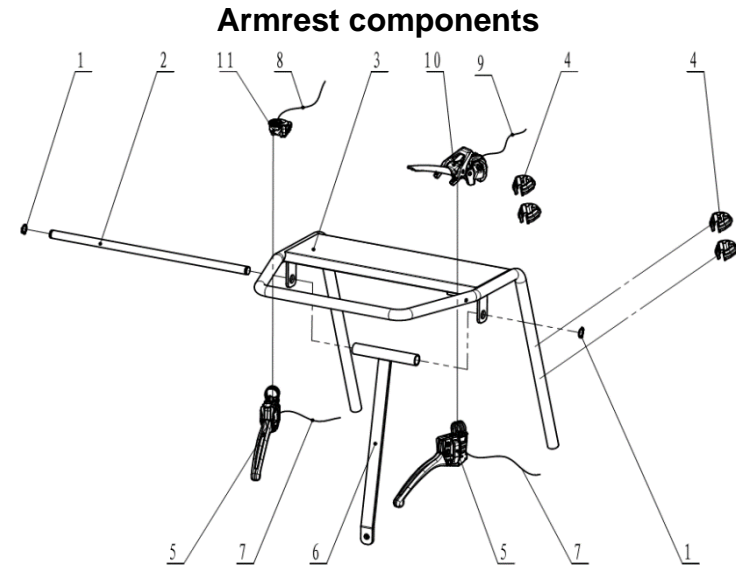
Ref No	Part Code	Description	Qty
1	3407100001-0002	CE tension spring	1
2	360250047	Bolt M10x45	1
3	360660013	Washer 10	7
4	2110300013-0001	Tension pulley comp	1
5	3410800078-0001	Sheath 10x15x14	1
6	360620015	Washer Spring 10	5
7	360010008	Nut M10	1
8	2421500001-0001	Adjustable short rod	1
9	360040009	Nut Flange M8	2
10	2414200007-0001	Button frame comp	2
11	360250137	Bolt M16x100	2
12	360010016	Nut M16	2
13	360660015	Washer 16	2
14	360010014	Nut M12	2
15	360660009	Washer 12	2

fuel	anytime	93 unleaded gasoline for automobile	3.6L
oil for engine	first time:20 H after every 100 H	SAE10W-30	0.6L
oil for gear box	first time:50H after every 500H	GL-4	1.5L

Checking list

		Item	Period		
			Work	Mon th	Year
walking apparatus	Belt	Any obvious flawless	○	○	○
		Whether the degree of relaxation and tension appropriate	○	○	○
		tension nut is deformation, corrosion	○	○	○
	gear box	When walking, if there is a gear mechanism, noise, different heat	○	○	○
		Gearbox spill the oil or not		○	○
	V type belt	V belt is worn or not		○	○
		The length of the belt is in the reference value		○	○
	traction clutch	Low idle state, whether there is abnormal sound		○	○
		After the clutch, no slip, can be carried out smoothly		○	○

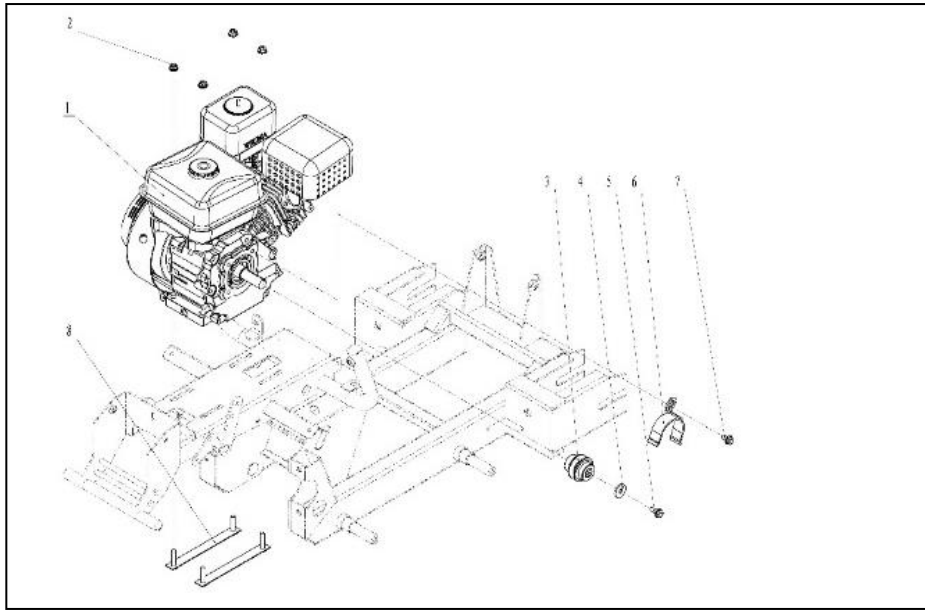
	Brake	The brake apparatus is in normal state	○	○	○
		When packing ,if it's can keep stopped in 25 degree bevelled		○	○
	Steering clutch	Make sure no abnormal noise when using	○	○	○
		The operating rod free degree is in the proper position	○	○	○
		Check the Pull if any damage and connection is strong, pull thread each part whether there is rust		○	○
	The crawler driving wheel, tension pulley	If any deformation or abrasion	○	○	○
		The shaft body state is normal or not	○	○	○
		Mounting bolt, nut is loose, fall off or not	○	○	○
		Shaft surrounding leaks or not		○	○
	connecting rod	Any deformation or abrasion		○	○
connecting parts loosen or not, cotter pin is defective or not			○	○	
main frame , body and label	main frame and body	If any crackle or deformation		○	○
		Mounting bolt, nut is loose, fall off or not		○	○
	Packing area	Rolling system is active or not		○	○
		Any abnormal for gate system		○	○
		Indicating labels if any dirt and damage		○	○



Handlebar components

Ref No	Part Code	Description	Qty
1	360920002	Clip 16, Shaft lock,	2
2	2134600001-0001	Long shaft	1
3	2402300082-0001	Handlebar	1
4	2400600002-0001	Cable clip	4
5	3000900010-0001	turning clutch handle	2
6	2407300001-0001	Support welding part	1
7	3009100007-0001	turning cable, AKT style	2
8	3000200022-0001	throttle cableco style	1
9	3009200045-0001	clutch cableco style	1
10	3000900007-0001	Lower pressure clutch handle	1
11	1815700004-0001	shut down switch	1

Engine parts



Ref No	Part code	Description	Qty
1		Gasoline engine WM170F/P	1
2	360040009	Nut Flange M8	4
3	2137800001-0001	Small belt pulley	1
4	360650001	Washer 8, Special	1
5	360220040	Flange Bolt, M8x20	1
6	2608000001-0001	Small belt pulley cover	1
7	360220039	Flange Bolt, M8x16	1
8	2419200001-0001	Engine assembling support	2

Walking apparatus

Each part in engine in high temperature after stop the engine, in void any scald, please maintain after the engine exactly cool down.



Warnings

Stop the engine once maintain or repair.

Track check & adjustment.

Cautions

Must use the belt in the appropriate tension range, to avoid shedding, shorten life etc.

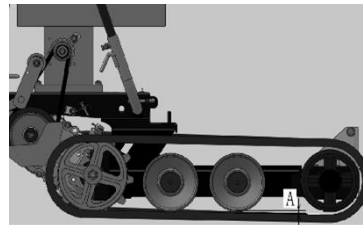


Warnings

- Fixed the jack when adjusting to avoid falling down.

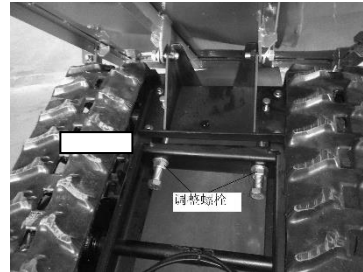
Checking

1. Lift the machine to keep the same level with ground.
2. Confirm there's 20mm clearance between track and bearing wheels, please adjust if any inappropriate.
3. Lay down the machine.



Adjustment

1. Lift the machine to the same level as the ground.
2. Loosen the nuts.
3. Adjust the bolts to confirm the there's 20mm clearance between track and bearing wheels.
4. Tighten the nuts.
5. Lay down the machine.



Checking and adjust for V belt.

Checking

Cautions

V type belt slip, please adjust the belt tensioner pulley tension, otherwise it will shorten the service life

1. Take out the plastic cover.
2. Check the V belt, please contact the sales if there is any damage.
3. Put on the plastic cover.

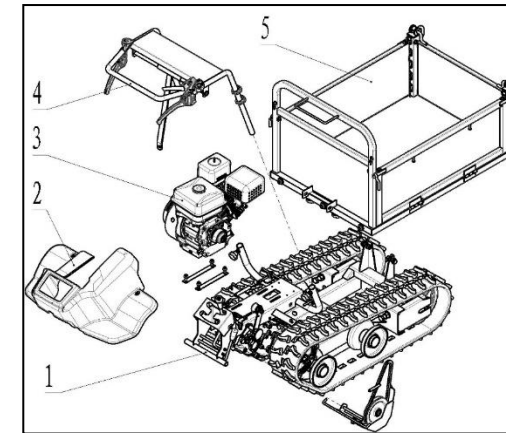
Adjustment

【1】

1. Turn the clutch forward to the PARK position.
2. Loosen the nuts.
3. V type belt slippage, the clutch lever to adjust the running position, [] the position of the adjusting screw nut spring elongation range in 3-4 mm

【2】

Part Diagram



Ref No	Description
1	Chassis and gear box comp
2	Cover and belt comp
3	Engine
4	Handlebar components
5	Container comp

	Engine weight	Kg	18	
	Starting mode	Recoil start		
	Fuel		93	
	Lowest fuel consumption rate	g/kWh	395	
	Fuel tank capacity	L	3.6	
	Oil capacity	L	0.6	
	Ignition system	Transistor magnet type ignition		
	Spark plug model	F7 (R) TC		
Walking performance	Walking speed	Forward 1	Km/h	0.5
		Forward 2	Km/h	0.8
		Forward 3	Km/h	1.3
		Forward 4	Km/h	1.8
		Forward 5	Km/h	3.0
		Forward 6	Km/h	4.9
		Backward 1	Km/h	0.6
		Backward 2	Km/h	2.3
	Minimum turning radius	m	1.15	
	Climbing ability	degree	25	
Brake style		Hub brake		
Lubrication oil name		GL-4		
Transmission oil capacity	L	1.5		

1. The belt is not separated completely, tensioning position please V belt adjustment. Removed bolt belt wheel cover, belt tensioner [] in the parking position does not contact the V belt, do not rotate in [walk] and position. Then tighten the bolts.

2. Tighten the nut

Checking and adjusting for brake apparatus.

Checking



Warnings

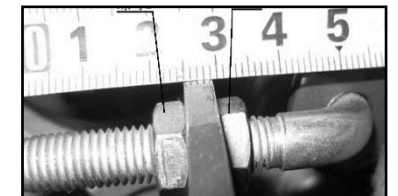
- Do running adjustment if any problem for brake apparatus.

- Take off the plastic cover.
- Put the walking clutch rod to Stop the machine position.
- Make sure the spring length A is between 185-190mm, adjust if there is any inappropriate.
- Put on the plastic cover.



Adjustment

- Take off plastic cover.
- Loosen the nut.
- Put clutch rod to Stop the machine position.
- Adjust nut 1 to make sure the spring length A is between 185-190mm.
- Tighten the nut 1.
- Loosen the nut 2.
- Put walking clutch rod to Walking position and adjusting nut 2 to cancel brake condition.
- Tighten nut 2.
- Put on plastic cover.



Turning clutch adjustment.

- Take the cargo container and fix it with the supporting frame.
- Adjust the adjusting nut and make turning clutch handle to have 1-5mm empty space.
- Put off the cargo container.



Troubleshooting

Caution

When this machine has problem, please stop using it and do some proper treatment.

Walking apparatus

1. Put walking clutch rod to Walking position, and it still cannot start the machine.
 - 1.1 Check and see if the transmission gear shifting is at its appropriate position.
 - 1.2 V type belt is too loose and adjust V type belt.
 - 1.3 Brake is dead and adjust brake to its best position.

Brake apparatus is not good.

- 2.1 Brake adjustment is not good and adjust it to its best position.
- 2.2 Brake apparatus has water, break it many times to dry it.
- 2.3 Overload, reduce the load.

Track fall off.

- 3.1 Check if the track is broken.
- 3.2 Adjust track tension pulley.

Turning apparatus is not good.

- 4.1 Check if the handlebar is good.
- 4.2 Check if the handle cable is broken.
- 4.3 Check if the turning separation arm and cable connection are good.

Technical data

Name and model		KK-AT-320		
Weight		Kg	156	
Rated loading capacity		Kg	320	
Dimension	Length	mm	1620	
	Width	mm	600	
	Height	mm	830	
	Track length on ground	mm	650	
	Track distance from the centre	mm	410	
	Cargo container bottom plate height	mm	295	
Cargo container	Inner dimension	Length	mm	850
		Width	mm	570
		Height	mm	290
	dumping method			manual
	dumping angle		degree	60
Engine	Engine name		170F/P	
	Model		Single cylinder, OHV, four stroke, and forced air cooling	
	Total displacement	ml	212	
	Rated power	KW/rpm	4/3600	