

limited to, loss of use, loss of profits, loss of production, expense of substitute equipment or other commercial loss or damage.

Limitation of Liability: This limited warranty is in lieu of all other express warranties, obligations, or liabilities. Any implied warranties, obligations, or liabilities, including, but not limited to, any implied warranty of merchantability shall be limited in duration to the applicable warranty period. Any action for breach of any warranties hereunder, including, but not limited to, any implied warranty of merchantability must be brought within the applicable warranty period.

Modifications of Warranty: No agent, representative, dealer, or employee of KisanKraft Limited or any of its manufacturers has the authority to increase or alter the obligations of this warranty.

Assignment / Transfer of warranty: The warranty cannot be assigned and shall not transfer if the product is resold by the first buyer. The above warranties are extended to the first end user (original purchaser), and no warranty is made, nor authorized to be made assignable on resale by the first end user.

What you must do to obtain limited warranty service: To obtain performance of any obligation under this warranty for failure during the applicable warranty period, you must deliver the defective product, to the nearest Authorized Dealer, along with proof-of-purchase (invoice/receipt). KisanKraft Limited, its manufacturers and its dealers reserve the right to inspect the claimed defective part(s) to determine if the malfunction is the result of a defect covered by this warranty. Please note that the decision of KisanKraft Limited with respect to any warranty claim is final.

After-sales Service (Including Warranty): KisanKraft Limited does not sell directly to consumers. All sales or supplies are made through Authorized Dealers. It is the responsibility of the Authorized Dealer to provide all after-sales service to consumers. Any warranty claim should be raised by dealer to KisanKraft Limited as per warranty policy.

Jurisdiction: All disputes are subject to Bangalore court's jurisdiction.

Notes:

- This purchase is not contingent upon a product demonstration. The purchaser shall satisfy himself with the product, including any product demonstration or verification of any function, before buying. KisanKraft Limited and its authorized dealers, including online sellers, shall not be liable to give any on-site demonstration after purchase of any of the products.
- Any product once used will not be taken back by KisanKraft Limited.
- Warranty and After Sale Services (including but not limited to installation, Demonstration, Repair, Routine Maintenance etc.), should be done through the Authorized Dealer selling this product.
- Dealers should have their own technician to provide After Sales Services to their Customers. KisanKraft Limited provides free training to Authorized Dealer's technicians at KisanKraft Limited's head office, on request from Authorized Dealer

This warranty is null & void, if you fail to register the warranty with KisanKraft by sending the KisanKraft Copy with dealer's stamp.

KisanKraft Limited

Product	MINI LOADER	KisanKraft Invoice Date	
Brand	KisanKraft	KisanKraft Invoice No.	
Model	☐ KK-AT-400		
WARRANTY PERIOD	6 MONTHS	FOR THE SPECIFIED PERIOD FROM THE DATE OF SALE OR DELIVERY WHICHEVER IS EARLIER.	
Dealer's Invoice Date		Dealer's Invoice No.	
Buyer's Info (Name, Address, Phone, etc.):		Dealer's Stamp (Address, Phone, TIN, etc.):	
Buyer's Sign		Dealer's Sign	

Warranty Policy

What is covered: KisanKraft Limited and its manufacturers warrant this product to be free from defects in material or workmanship. All parts defective in material and workmanship are covered.

This warranty will only cover defects arising under normal usage.

This warranty is limited to repair or replacement by KisanKraft Limited or its manufacturers of such parts as appear to KisanKraft or its manufacturers, upon inspection, to be defective in material and/or workmanship. KisanKraft or its manufacturers make no warranty with respect to items not manufactured or sold by them. No onsite warranty is provided by KisanKraft Limited or its manufacturers. Defective items must be brought/sent to our Authorized Dealer or KisanKraft Limited's office for service.

What is not covered: The *warranty shall become null and void* and neither KisanKraft Limited nor any of its manufacturers, nor its authorized dealers assume any responsibility, if the failure was caused by the following:

- (1) Operation of product with incorrect fuel or lubricants, (2) Incorrect usage of machine or misuse, (3) Lack of maintenance, (4) Negligence, (5) Accident or physical damage, (6) Repairs made by unauthorized parties and/or with unauthorized parts, (7) Improper set up, adjustments, tampering or altered products (8) Any modification to the product what-so-ever.

Important: (1) Normal maintenance and adjustments to the product is the responsibility of the customer. (2) Normal wear and tear are not covered under warranty. (3) Rubber/plastic parts and consumables such as blades, clutch and clutch-bell, sparkplugs, nylon line, air-filters, fuel-filters, oil seals and gaskets etc. are not covered under the warranty. (4) Electrical Motor, Electrical Parts, Battery Etc. are not covered under the warranty.

Incidental / Consequential Loss: KisanKraft Limited or its manufacturers will not be liable for general damages, including bodily injuries, or for incidental or consequential damages including, but not limited to, loss of use, loss of profits, loss of production, expense of substitute equipment or other commercial loss or damage.

Limitation of Liability: This limited warranty is in lieu of all other express warranties, obligations, or liabilities. Any implied warranties, obligations, or liabilities, including, but not limited to, any implied warranty of merchantability shall be limited in duration to the applicable warranty period. Any action for breach of any warranties hereunder, including, but not limited to, any implied warranty of merchantability must be brought within the applicable warranty period.

Modifications of Warranty: No agent, representative, dealer, or employee of KisanKraft Limited or any of its manufacturers has the authority to increase or alter the obligations of this warranty.

Assignment / Transfer of warranty: The warranty cannot be assigned and shall not transfer if the product is resold by the first buyer. The above warranties are extended to the first end user (original purchaser), and no warranty is made, nor authorized to be made assignable on resale by the first end user.

What you must do to obtain limited warranty service: To obtain performance of any obligation under this warranty for failure during the applicable warranty period, you must deliver the defective product, to the nearest Authorized Dealer, along with proof-of-purchase (invoice/receipt). KisanKraft Limited, its manufacturers and its dealers reserve the right to inspect the claimed defective part(s) to determine if the malfunction is the result of a defect covered by this warranty. Please note that the decision of KisanKraft Limited with respect to any warranty claim is final.

After-sales Service (Including Warranty): KisanKraft Limited does not sell directly to consumers. All sales or supplies are made through Authorized Dealers. It is the responsibility of the Authorized Dealer to provide all after-sales service to consumers. Any warranty claim should be raised by dealer to KisanKraft Limited as per warranty policy.

Jurisdiction: All disputes are subject to Bangalore court's jurisdiction.

Notes:

- This purchase is not contingent upon a product demonstration. The purchaser shall satisfy himself with the product, including any product demonstration or Verification of any function, before buying. KisanKraft Limited or its authorized Dealers, including online sellers, shall not be liable to give any on-site Demonstration after purchase of any of the product.
- Any product once used will not be taken back by KisanKraft Limited.
- Warranty and After Sale Services (including but not limited to installation, Demonstration, Repair, Routine Maintenance etc.), should be done through the Authorized Dealer selling this product.
- Dealers should have their own technician to provide After Sales Services to their Customers. KisanKraft Limited provides free training to Authorized Dealer's Technicians at KisanKraft Limited's head office, on request from Authorized Dealer.

Product	MINI LOADER	KisanKraft Invoice Date	
Brand	KisanKraft	KisanKraft Invoice No.	
Model	☐ KK-AT-400		
WARRANTY PERIOD	6 MONTHS	FOR THE SPECIFIED PERIOD FROM THE DATE OF SALE OR DELIVERY WHICHEVER IS EARLIER.	
Dealer's Invoice Date		Dealer's Invoice No.	
Buyer's Info (Name, Address, Phone, etc.):		Dealer's Stamp (Address, Phone, TIN, etc.):	
Buyer's Sign		Dealer's Sign	

Warranty Policy

What is covered: KisanKraft Limited and its manufacturers warrant this product to be free from defects in material or workmanship. All parts defective in material and workmanship are covered.

This warranty will only cover defects arising under normal usage.

This warranty is limited to repair or replacement by KisanKraft Limited or its manufacturers of such parts as appear to KisanKraft or its manufacturers, upon inspection, to be defective in material and/or workmanship. KisanKraft or its manufacturers make no warranty with respect to items not manufactured or sold by them. No onsite warranty is provided by KisanKraft Limited or its manufacturers. Defective items must be brought/sent to our Authorized Dealer or KisanKraft Limited's office for service.

What is not covered: The *warranty shall become null and void* and neither KisanKraft Limited nor any of its manufacturers, nor its authorized dealers assume any responsibility, if the failure was caused by the following:

- (1) Operation of product with incorrect fuel or lubricants, (2) Incorrect usage of machine or misuse, (3) Lack of maintenance, (4) Negligence, (5) Accident or physical damage, (6) Repairs made by unauthorized parties and/or with unauthorized parts, (7) Improper set up, adjustments, tampering or altered products (8) Any modification to the product what-so-ever.

Important: (1) Normal maintenance and adjustments to the product is the responsibility of the customer. (2) Normal wear and tear are not covered under warranty. (3) Rubber/plastic parts and consumables such as blades, clutch and clutch-bell, sparkplugs, nylon line, air-filters, fuel-filters, oil seals and gaskets etc. are not covered under the warranty. (4) Electrical Motor, Electrical Parts, Battery Etc. are not covered under the warranty.

Incidental / Consequential Loss: KisanKraft Limited or its manufacturers will not be liable for general damages, including bodily injuries, or for incidental or consequential damages including, but not

This warranty is null & void, if you fail to register the warranty with KisanKraft by sending the KisanKraft Copy with dealer's stamp.

KisanKraft Limited



Wide Range of Products for Every Need



For more information give **MISSED CALL: 07676065555**



Many of our products have BIS: ISI certification.



Operation Manual



KisanKraft Limited

Warehouse: 818 3B1 to 818 3B18, Podalukur - Sangam Road, Prabagiripatnam, Podalukur, Nellore - 524345, Andhra Pradesh, INDIA

Head Office: #4, 1st Main, 7-A Cross, Maruthi Layout, Dasarahalli, HAF Post, Hebbal, Bangalore 560024, Karnataka, INDIA

- ◆ Bangalore (HO) ◆ Ahmedabad ◆ Bhopal ◆ Bhubaneswar ◆ Coimbatore
- ◆ Guwahati ◆ Hubli ◆ Hyderabad ◆ Jaipur ◆ Karnal
- ◆ Kolkata ◆ Lucknow ◆ Nellore ◆ Pune ◆ Raipur



Scan the QR code to download
KisanKraft App

App is available on



Scan the QR code for
KisanKraft Youtube Channel



CONTENTS

Before Getting Started.....	7
Safety Instructions.....	8
Technical Specification.....	12
Installation Method.....	14
Operating Instructions.....	16
Maintenance.....	19
Transfer and Storage.....	21
Part Diagram and list.....	23
Chassis assembly (1).....	25
Chassis assembly (2).....	27
Chassis assembly (3).....	28
Chassis assembly (4).....	31
Chassis assembly (5).....	32
Cargo body assembly (1).....	34
Cargo body assembly (2).....	35

KisanKraft has a large range of products to serve the farmers. A list of our products is given below:

<p>Brush Cutters and Accessories</p> <ul style="list-style-type: none"> Brush Cutter/Power Weeder Backpack Brush Cutter Tea Pruner Pole pruner with Engine Reaper Attachment Blades-Circular Blades (2 & 3 points) Baffle Nylon Rope Tap & Go <p>Chainsaws</p> <ul style="list-style-type: none"> Petrol Chainsaw Electric Chainsaw Chain Sharpening Machine <p>Engines and Water Pumps</p> <ul style="list-style-type: none"> Engine –Diesel-(Horizontal) Engine –Diesel (Vertical) Engine-Kerosene Water Pump with Petrol Engine Water Pump with Kerosene Engine Water Pump with Diesel Engine <p>Hand Tools</p> <ul style="list-style-type: none"> Secateurs Folding Saw Garden Rake Garden Shovel Hedge Shear Lopper Telescopic Hedge Shear Telescopic Lopping Shear Tree Pruner Telescopic Steel Pipe & Fruit Picker Bag Sheep Shear <p>Garden Tools</p> <ul style="list-style-type: none"> Electric Pressure Washer Hedge Trimmer Lawn Mower (Electric, Petrol & Manual) Leaf Blower 	<p>Cultivators and Accessories</p> <ul style="list-style-type: none"> Petrol and Diesel <p>Sprayers and Accessories</p> <ul style="list-style-type: none"> Battery Sprayer Portable Power Sprayer Trolley Sprayer Manual Knapsack Sprayer Manual Pressure Sprayer Rose Cans Hose Crimping Machine HTP Sprayer HTP Delivery Hose HTP Hose Reel HTP Stand HTP Gun / Lance (Brass Rod) Knapsack Power Sprayer Mister / Duster / Granule Spreader HTP Sprayer Set with Diesel Engine HTP Sprayer Set with Kerosene Engine Fogging Machine <p>Milking Machine</p> <ul style="list-style-type: none"> Wood Shredder Fodder Ensiling Chaff Cutter Fodder Grinder Chaff Cutter Fodder Mini Chaff Cutter <p>Harvester</p> <ul style="list-style-type: none"> Maize Sheller Maize Sheller + Dehusker Maize Combine Harvester Onion Digger Carlotti Italy Tea Leaf Harvester Sugarcane Combine Harvester Sugarcane Leaf Stripper <p>Transplanter and Post Hole Digger</p> <ul style="list-style-type: none"> Paddy Transplanter (2 & 8 Rows) Transplanter-Vegetable & Tobacco Post Hole Digger (4" to 14" Augers)
---	---

SL. No.	Item code	English description	Qty
1	2504800009-0001	Cargo	1
2	360660009	Flat washer A grade 12	1
3	360560027	Split pin 2x20	1
4	361020080	Pin 6x20	1
5	3407000001-0001	Lock hook return tension spring	1
6	3601200131	Type 1 hexagon lock nut M10	1
7	2504600002-0004	Cargo compartment lock hook	1
8	360660004	Flat washer A grade 6	1
9	2424500002-0003	Lock hook pressure plate	1
10	360120015	Type 1 hexagon lock nut M12	1
11	360220039	Hexagon flange bolt small series M8x16	3
12	3010100003-0001	Cargo lock hook cable assembly	1
13	2502400003-0003	Cargo handle weldment	1
14	3000900010-0001	Clutch handle	1
15	3000500003-0001	Shock absorption grip Φ25	1

Product	MINI LOADER	KisanKraft Invoice Date	
Brand	KisanKraft	KisanKraft Invoice No.	
Model	☐ KK-AT-400		
WARRANTY PERIOD	6 MONTHS	FOR THE SPECIFIED PERIOD FROM THE DATE OF SALE OR DELIVERY WHICHEVER IS EARLIER.	
Dealer's Invoice Date		Dealer's Invoice No.	
Buyer's Info (Name, Address, Phone, etc.):		Dealer's Stamp (Address, Phone, TIN etc.):	
Buyer's Sign		Dealer's Sign	

Warranty Policy

What is covered: KisanKraft Limited and its manufacturers warrant this product to be free from defects in material or workmanship. All parts defective in material and workmanship are covered.

This warranty will only cover defects arising under normal usage.

This warranty is limited to repair or replacement by KisanKraft Limited or its manufacturers of such parts as appear to KisanKraft or its manufacturers, upon inspection, to be defective in material and/or workmanship. KisanKraft or its manufacturers make no warranty with respect to items not manufactured or sold by them. No onsite warranty is provided by KisanKraft Limited or its manufacturers. Defective items must be brought/sent to our Authorized Dealer or KisanKraft Limited's office for service.

What is not covered: The *warranty shall become null and void* and neither KisanKraft Limited nor any of its manufacturers, nor its authorized dealers assume any responsibility, if the failure was caused by the following:

(1) Operation of product with incorrect fuel or lubricants, (2) Incorrect usage of machine or misuse, (3) Lack of maintenance, (4) Negligence, (5) Accident or physical damage, (6) Repairs made by unauthorized parties and/or with unauthorized parts, (7) Improper set up, adjustments, tampering or altered products (8) Any modification to the product what-so-ever.
Important: (1) Normal maintenance and adjustments to the product is the responsibility of the customer. (2) Normal wear and tear are not covered under warranty. (3) Rubber/plastic parts and consumables such as blades, clutch and clutch-bell, sparkplugs, nylon line, air-filters, fuel-filters, oil seals and gaskets etc. are not covered under the warranty. (4) Electrical Motor, Electrical Parts, Battery Etc. are not covered under the warranty.

Incidental / Consequential Loss: KisanKraft Limited or its manufacturers will not be liable for general damages, including bodily injuries, or for incidental or consequential damages including, but not limited to, loss of use, loss of profits, loss of production, expense of substitute equipment or other commercial loss or damage.

Limitation of Liability: This limited warranty is in lieu of all other express warranties, obligations, or liabilities. Any implied warranties, obligations, or liabilities, including, but not limited to, any implied warranty of merchantability shall be limited in duration to the applicable warranty period. Any action for breach of any warranties hereunder, including, but not limited to, any implied warranty of merchantability must be brought within the applicable warranty period.

Modifications of Warranty: No agent, representative, dealer, or employee of KisanKraft Limited or any of its manufacturers has the authority to increase or alter the obligations of this warranty.

Assignment / Transfer of warranty: The warranty cannot be assigned and shall not transfer if the product is resold by the first buyer. The above warranties are extended to the first end user (original purchaser), and no warranty is made, nor authorized to be made assignable on resale by the first end user.

What you must do to obtain limited warranty service: To obtain performance of any obligation under this warranty for failure during the applicable warranty period, you must deliver the defective product, to the nearest Authorized Dealer, along with proof-of-purchase (invoice/receipt). KisanKraft Limited, its manufacturers and its dealers reserve the right to inspect the claimed defective part(s) to determine if the malfunction is the result of a defect covered by this warranty. Please note that the decision of KisanKraft Limited with respect to any warranty claim is final.

After-sales Service (Including Warranty): KisanKraft Limited does not sell directly to consumers. All sales or supplies are made through Authorized Dealers. It is the responsibility of the Authorized Dealer to provide all after-sales service to consumers. Any warranty claim should be raised by dealer to KisanKraft Limited as per warranty policy.

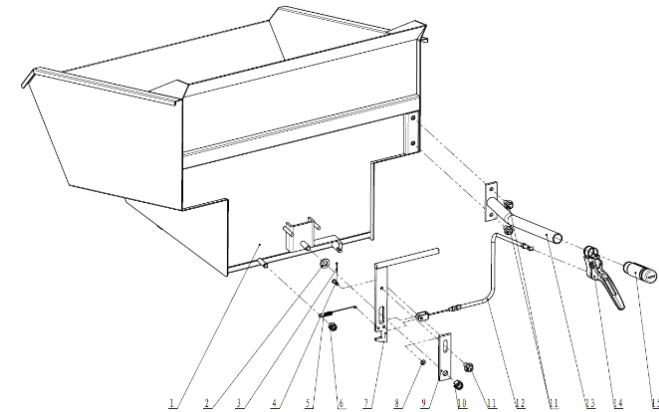
Jurisdiction: All disputes are subject to Bangalore court's jurisdiction.

Notes:

- This purchase is not contingent upon a product demonstration. The purchaser shall satisfy himself with the product, including any product demonstration or verification of any function, before buying. KisanKraft Limited or its authorized dealers, including online sellers, shall not be liable to give any on-site demonstration after purchase of any of the products.
- Any product once used will not be taken back by KisanKraft Limited.
- Warranty and After Sale Services (including but not limited to installation, Demonstration, Repair, Routine Maintenance etc.), should be done through the Authorized Dealer selling this product.
- Dealers should have their own technician to provide After Sales Services to their Customers. KisanKraft Limited provides free training to Authorized Dealer's technicians at KisanKraft Limited's head office, on request from Authorized Dealer

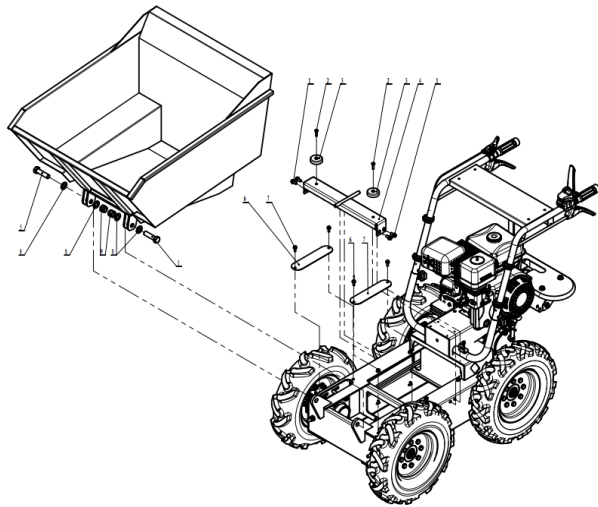
5	360260119	M16x60	2
6	360300007	Hexagon flange bolts, enlarged series B grade M6x16	1
7	2607500013-0001	Cover	1
8	360660015	Flat washer A grade 16	4
9	360120023	M16	2

Cargo body assembly (2)



15	360220157	Hexagon flange bolt small series M10×25	16
16	360220062	Hexagon flange bolt small series M10×20	16
17	2800900001-0005	Outer spokes/holes/4.00-8	4
18	2800500006-0002	inner tube/tire/4.00-8	4
19	2800800001-0005	Inner spokes/4.00-8	4
20	2407000004-0001	Connecting plate	4
21	360660013	Flat washer A grade 10	32
22	360620015	Standard spring washer	32
23	360120013	Type 1 hexagon lock nut M10	32

Cargo body assembly (1)



SL. No.	Item code	English description	Qty
1	360220039	Hexagon flange bolt small series M8×16	4
2	360410040	Cross recessed pan head screws M6×25	2
3	2424900002-0001	Cushion	2
4	2503500003-0001	Cargo compartment lock plate	1

Warnings

- This product is potentially dangerous. Please be sure to carry out correct driving operation, maintenance, and inspection according to this manual.
- This product is a farm truck, please do not use it for other purposes.
- This product is forbidden to drive on roads, national highways, and other roads. If traffic accidents occur due to driving on the road, our company will not be responsible.
- ♦ Do not modify this product.
- Our company will not be responsible for any damage to the machine or personal injury caused by the violation of the above clauses and will also terminate the implementation of the three-guarantee service for the machine.

Before Getting Started

Thanks for purchasing from us.

In order that you can operate our machine safer, the instructions contain methods for operating ,maintain and checking.

Correctly operating method is on basis of reading and grasping.



Warnings

Forbid operating, maintaining, and checking the machine read and know the instructions. Please safe keep the instructions in order to operate, maintain and check the machine in time.

About the machine



Warnings

This machine exists potential dangers, you should operate maintain and check based on the instructions.

This machine is for fields convey, not for other ways.

Forbid operating on such roads, national highways. If there are any accidents on such road ,our factory will not burden any responsibility.

Forbid changing the machine, in order to avoid any accidents, forbid taking off the proof cover.

About the warnings items in this instructions

The instructions define warnings to below parts based on danger level(or accidents level) Please get understood for warning items below, and then operate the machine.

item	meaning
------	---------

dangers	Very dangerous warning, without notice, may cause fatal accidents
warnings	potentially dangerous warning, without notice, may cause fatal accidents
cautions	potentially dangerous warning, without notice, may cause accidents or injury. Even will harm the machine.
suggestions	Attract one attention, or feedback your advice

about the operating purpose for the machine

The machine is for short way convey. Forbid use for other purposes or any changes. Or cannot get any guarantees.

Attached tools.

No.	name	q'ty	notes
1	operating instructions for main set	1	
2	operating instructions for engine	1	
3	Wrench only for spark plug	1	
4	Dual-purpose screwdriver	1	
5	Open spanner 8-10	1	
6	Open spanner 12-14	1	
7	Open spanner 13-15	1	
8	Funnel	1	
9	Funnel gas pipe	1	

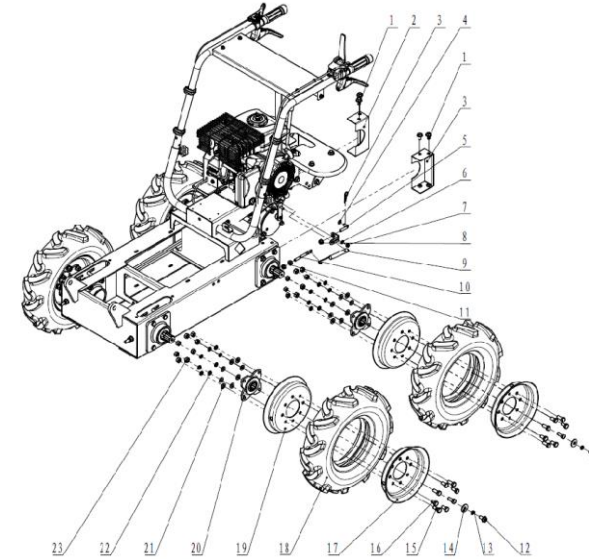
Safety Instructions

The safety of you and others is very important. We provide important safety information on both the manual and the machine. Please read carefully. The safety information warns you of potential hazards that could harm you and others. Before each piece of safety information, use a safety mark with a safety quotation.

- Please pay special attention to the statement of the above quotation:

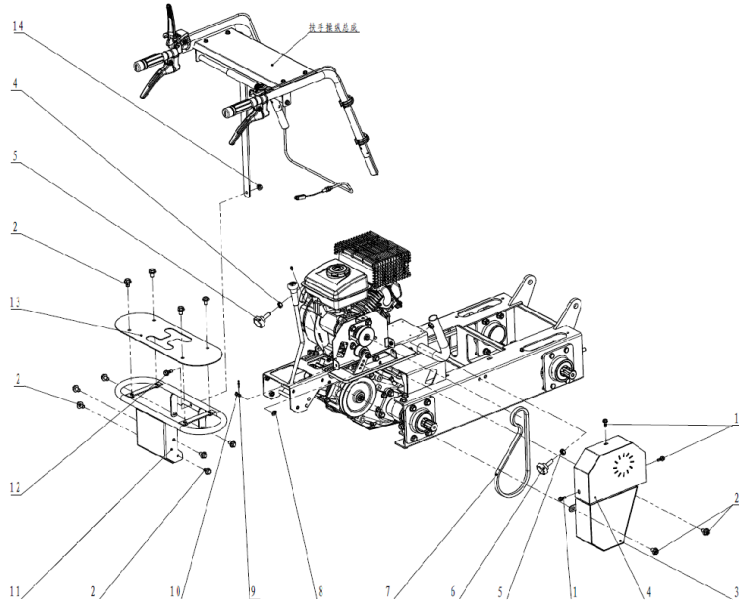
Danger:	If you do not follow the instructions, it will cause serious personal injury or even death.
Warning:	If you do not follow the instructions, it may cause equipment damage and personal injury.
Note:	If you do not follow the instructions, it may cause damage to equipment and personnel.

Chassis comp



SL. No.	Item code	English description	Qty
1	360220039	Hexagon flange bolt small series M8x16	4
2	2607700004-0001	Rear cover (right)	1
3	2607700002-0001	Rear cover (left)	1
4	360660010	Flat washer A grade 8	1
5	2420000001-0001	Hook screw	1
6	360660004	Flat washer A grade 6	1
7	360120005	Type 1 hexagon lock nut M6	1
8	360120021	Type 1 hexagon lock nut M8	1
9	2808100004-0001	Brake return spring	1
10	2421500001-0001	Adjustable short rod	1
11	360040009	Type 2 hexagon flange nut M8	2
12	360220062	Hexagon flange bolt small series M10x20	4
13	360620015	Standard spring washer	4
14	360590009	Extra Large Washer Class C	4

Chassis assembly (5)



Item code	English description	Qty
360300007	Hexagon flange bolts, enlarged series B grade M6x16	3
360220039	Hexagon flange bolt small series M8x16	12
2609000002-0001	Lower belt guard	1
2607900010-0001	Upper belt guard	1
360030006	Hexagon Thin Nut M10	2
3015000003-0001	Star handle M10x20	2
2123600091-0001	V belt 13x800	1
360660010	Flat washer A grade 8	1
360560027	Split pin 2x20	1
361020051	Pin 6x18	1
2602900054-0001	Bumper	1
360220040	Hexagon flange bolt small series M8x20	1
2607400007-0001	Cover plate	1
360040009	Type 2 hexagon flange nut M8	1

- Damage prevention. Information

You can also see other important information indicated by "Attention".

Note: If you do not follow the instructions, it may cause damage to the equipment.

Safety Precaution



◆ If the handling machine is operated according to the instructions, it can operate safely and reliably according to the design. Before operating the transporter, please read and understand this manual carefully, otherwise it may cause personal injury or equipment damage.

Safety Precautions

- When using the machine, all spare parts must be installed.
- Correctly connect the wire harnesses and cables of the handling machine, prevent wrong connection.
- Lubricating oil must strictly use the specified grades and must be clean!
- Before starting the transporter, please place the speed control switch in the proper position! After pressing the clutch handle, slowly turn on the speed control switch to the required speed.
- Be careful when handling the machine and hurt people! When starting the machine, non-operators should not stand around the handling machine!
- Before shifting gears, the clutch must be disconnected (release the clutch handle), and then shift gears after the carrier stops!

○ **Training**

1. Read the instruction manual carefully. Fully familiar with all operating mechanisms and the correct use of machines. Master how to shut down and quickly separate the operating mechanism.
2. It is forbidden for children to use this product. Never allow adults who have not read the instructions to use this product.
3. Keep the work area clear of people. especially children and pets.

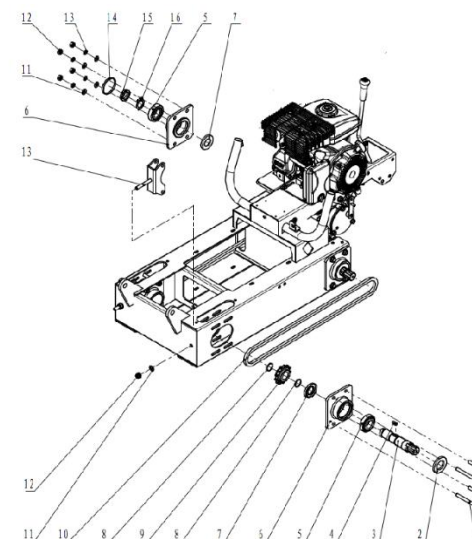
○ **Preparation**

- .1. Comprehensively check the area where the machine will be used and remove all sundries.
- .2. Before starting the transporter, please check that the wires are not damaged or short-circuited.
- .3. Before starting the engine, place the clutch handle in the disengaged state and set the gear position to neutral.
- .4. Do not operate the machine without wearing a proper jacket. Wearing non-slip shoes will improve the stability of your footing on slippery surfaces.
- .5. Then the engine is running, no adjustments are allowed (except for special adjustments recommended by the manufacturer).
- .6. Drinking alcohol is forbidden and working when unwell. In addition, operations by persons unsuitable for driving and working are prohibited.

○ **operation**

1. Hands and feet must not be close to or placed under the rotating parts.
2. Turn the flameout switch to the open position. increase the throttle appropriately, close the choke. set the gear to neutral, pull the rope to start the engine, then open the choke, select the appropriate gear, and slowly increase the throttle and depress the clutch handle, the transporter starts to operate normally.
3. Be especially careful when manipulating on (or crossing) gravel roads, sidewalks or highways, be alert to potential dangers, pay attention to traffic conditions, and do not carry passengers.
4. After hitting the debris, stop the transporter and check whether the transporter is damaged. If the damage is repaired, the transporter can be restarted and operated.
5. Wiens pay attention to your feet to avoid slipping or falling.
6. 6)Once the machine experiences abnormal vibration, immediately stop the transporter to find the cause. Vibration is usually a precursor to failure.
7. when the truck needs to change gears. The clutch handle must be released first to avoid danger.
8. when the machine is under unmanned operation. release the clutch handle and turn off the engine.
9. 9)04fore cleaning, repairing, or inspecting the machine, turn of the engine and confirm that all moving parts have stopped running. 10)111vn cleaning the truck, please clean the engine and belt with

Chassis assembly (4)



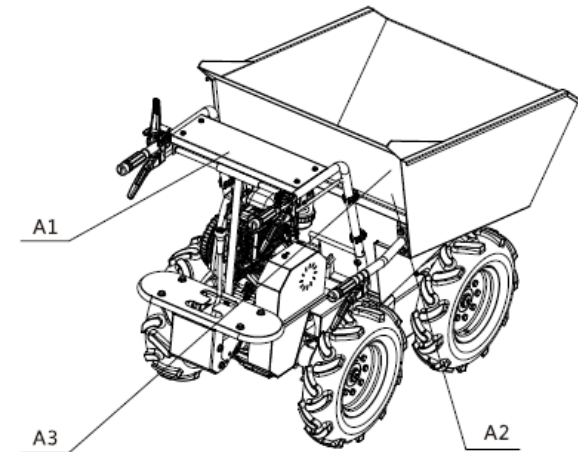
SL. No.	Item code	English description	Qty
1	360260101	Hexagon head bolt M10x95	8
2	360800034	Oil seal 35x62x8	2
3	2115400006-0001	Half shaft	2
4	360980051	Key 8x7x20	2
5	360750002	Tapered roller bearing 30206	4
6	2142300004-0001	Bearing seat	4
7	360800051	Oil seal 30x55x7	4
8	360930005	Wire retaining ring for shaft 30	4
9	2100300018-0001	Drive sprocket	2
10	2100200052-0001	Chain 08B-1x104L	2
11	360660013	Flat washer A grade 10	10
12	360120013	Type 1 hexagon lock nut M10	2
13	2139500003-0001	Tension block	2
14		Oil plug 62	2
15	360170004	Small round nut M27*1.5	2
16	360600007	Stop washers 27	2

17		Brake arm	1
18	360120013	Type 1 hexagon lock nut M10	1
19	360220152	Hexagon flange bolt small series M10x55	1
20	2110300013-0001	Tension pulley comp	1
21	3410800053-0002	Bushing 10.5x14x10	1
22	360220041	Hexagon flange bolt small series M8x25	1
23	360040009	nut M8	4
25	T010150118	WM170F/P Engine	1
26	2137800009-0001		1
27	2403900012-0001	Pulley bottom plate	1
28	2113000015-0001	Belt pressure lever	1
29	2414200031-0001	Underframe assembly	1
30	2414200046-0001	Right bracket	1
31	360220039	Hexagon flange bolt small series M8x16	1
32	360010008	Type 1 hex nut	1
33	360260086	Hexagon head bolt M10x150	1
34	360640013	Large Washer A	1
35	360040015	Type 2 hexagon flange nut	1
36	2419200001-0001		2



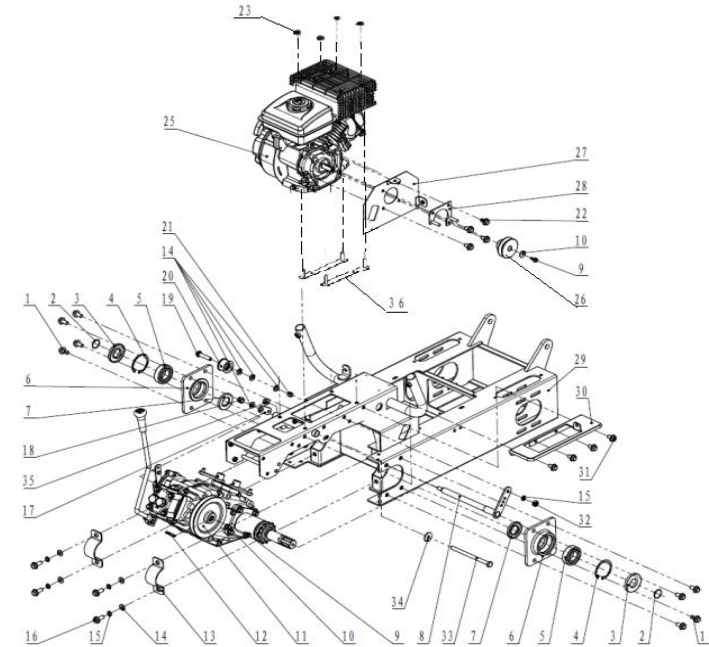
! Notice

1. The above safety warning signs should be kept clear and easy to see because they involve personal injury.
2. When the safety warning signs are lost or unclear, the user can entrust to call the authorized dealer to obtain above decals for three, and then replace and paste them shown below before continuing to use the machine.

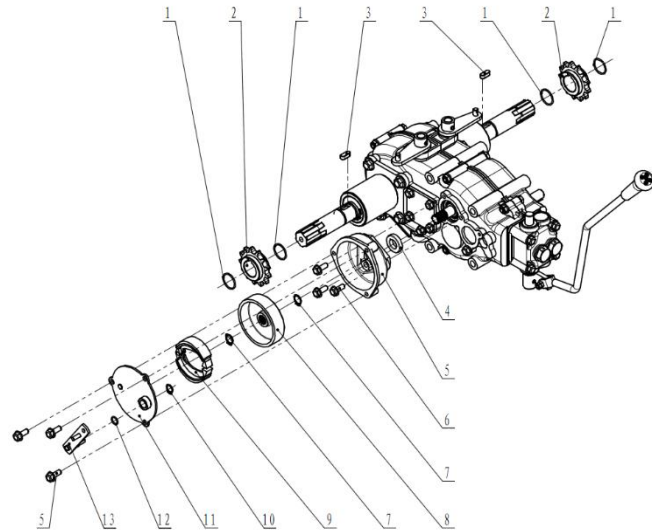


Technical Specification

No.	Name	Uni	Specification
1	Model	/	KK-AT-400
	Type	/	Air-cooled four-stroke
			single-cylinder gasoline engine
	Power	kW	4
	Rotating speed	r/min	3600
	Start method	/	Hand recoil
3	Overall dimensions (length X width X height)	mm	1520X 690 x 1050
4	Cargo box size	mm	885x690X565
	(length X width X height))		
5	Structural quality	Kg	155
6	Transfer method	/	Engine Gearbox Wheels
7	Rated load	Kg	400
8	Tire specifications	ma	4.00-8
9	The center distance of the tires on the left and right sides	mm	540
10	The center distance of the front and rear tires	mm	560
11	Ground clearance	mm	130
12	Grade ability (no load)	S	25
13	Gear	/	3 forward reverse
14	Parking mode		Inner flared shoe type-
15	Cargo compartment flipping method -		Manual flip
16	Flip angle of cargo compartment	"	80"



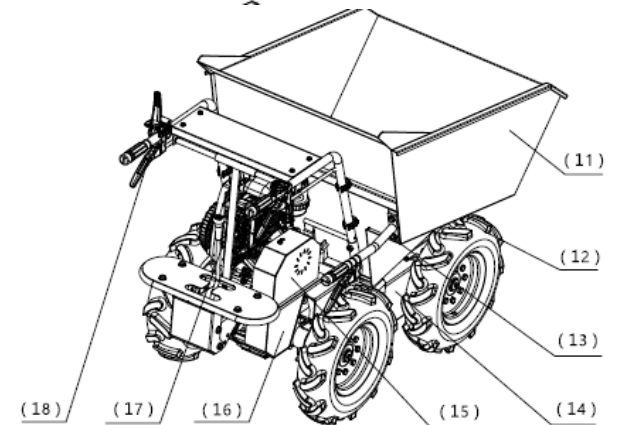
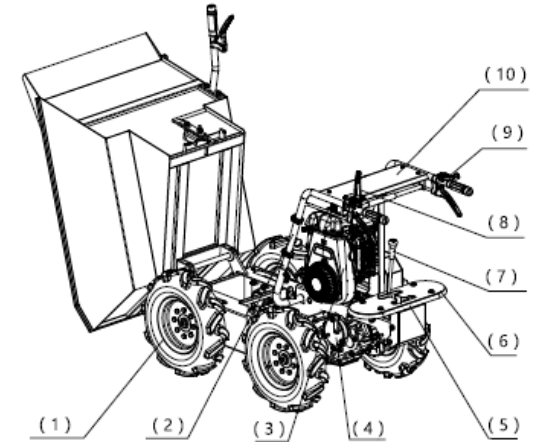
SL. No.	Item code	English description	Qty
1	360220062	Hexagon flange bolt small series M10x20	8
2	360930005	Wire retaining ring for shaft 30	2
3	360800052	Oil seal 30x62x7	2
4	360910022	Circlip for hole 62	2
5	360720088	Deep groove ball bearing 6206	2
6	2142300005-0001	Bearing seat	2
7	360800051	Oil seal 30x55x7	2
8		Brake shaft	1
9	360300007	Hexagon flange bolts B grade M6x16	2
10	360590001	Extra-large washer C grade 6	2
11	2123000001-0001	Big pulley	1
12	360980067	Key 5x5x35	1
13	2134400001-0001	Output shaft pressure plate	2
14	360660013	Flat washer A grade 10	8
15	360620015	Standard spring washer	5
16	360220157	Hexagon flange bolt small series	4



SL. No.	Item code	English description	Qty
1	360930005	Wire retaining ring for shaft 30	4
2	2100300018-0001	Drive sprocket	2
3	□ 360930051	Key 8x7x20	2
4	3408800012-0001	Oil seal 17x33x7	1
5	2803400001-0002	Brake box	1
6	360220040	Hexagon flange bolt small series M8x20	6
7	360920070	Circlip for shaft	2
8	2806500001-0001	Brake drum	1
9	2806600001-0001	Brake pads	1
10	360920071	Circlip for shaft	1
11	2807300001-0001	Brake cover weldment	1
12	3416100008-0001	O-ring	1
13	2807500001-0001	Brake box cam arm welding parts	1

Chassis assembly (3)

STRUCTURED DIAGRAM



(1) Left wheel assembly	(7) Shift lever	(13) Cargo compartment handle assembly
(2) Handrail assembly	(8) Clutch handle	(14) Underframe assembly
(3) Engine	(9) Throttle switch	(15) Upper belt guard
(4) Hydraulic cylinder	(10) Connection panel	(16) Lower belt guard
(5) Bumper assembly	(11) Cargo compartment assembly	(17) Support plate
(6) Cover plate	(12) Right wheel assembly	(18) Steering handle

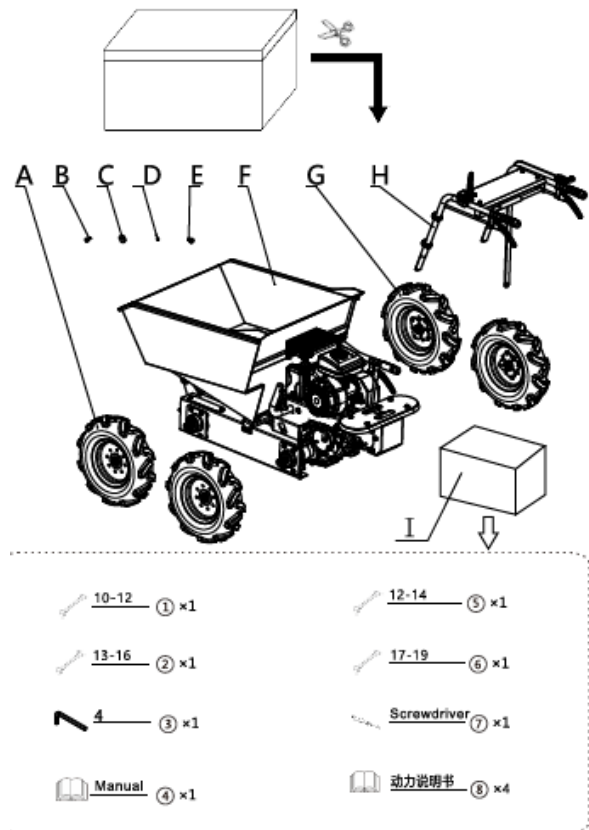
Application Scope:

Transportation of agricultural materials, fruits, and vegetables in mountain orchards.

Stone, sand, concrete, construction materials transportation

Installation Method

Unpacking

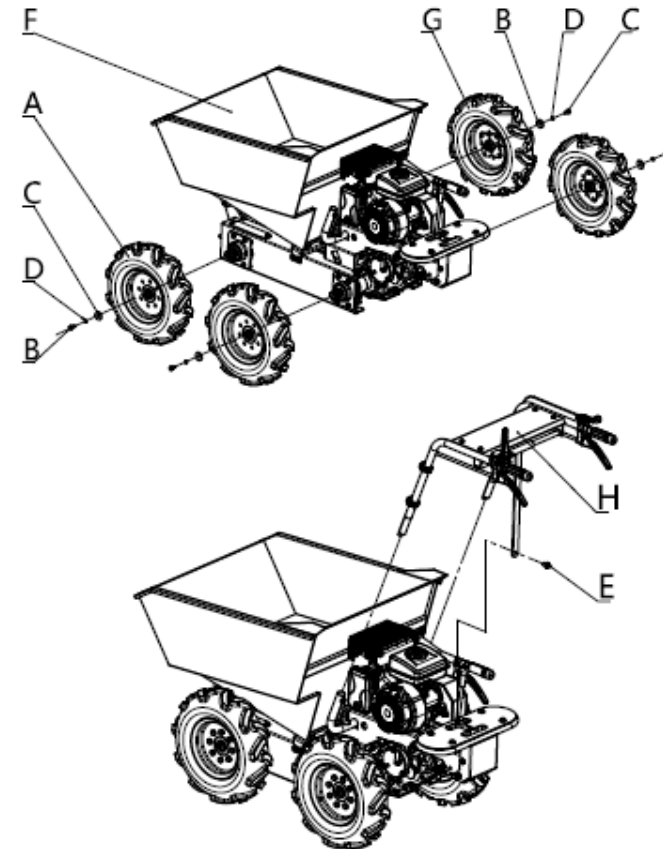


53	2115000001-0001	I axis	1
54	2107500001-0001	Auxiliary transmission driven gear	1
55	2138200001-0001	Input shaft and I shaft gasket	1
56	360920043	Circlip for shaft 28	2
57	360770004	Needle bearing K14x18x13	2
58	2138000001-0001	Input shaft retaining ring	1
59	2114500013-0001	Input shaft	1
60	2117500002-0001	Auxiliary gear shifting gear	1
61	360720064	Deep groove ball bearings 61905/P6	1
62	2102700002-0001	Second and third gear shift fork	1
63	3404800012-0001	Gear compression spring 8x25	2
64	360970009	Steel ball Sφ8	2
65	2103900001-0001	Lower fork shaft	1
66	2103800001-0001	Upper fork shaft	1
67	360920058	Circlip for shaft 13	1
68	2101800006-0001	Reverse gear fork	1
69	2116900001-0001	Lever limit plate	1
70	360010024	Type 1 hexagon nut M6	1
71	2104400001-0001	Fork lever box	1
72	3409000010-0001	Oil plug 26x7	2
73	2139600001-0001	Lever shaft	1
74	2405300002-0001	Lever	1
75	360580024	Elastic cylindrical pin rolled standard type 6x18	1
76	3000500010-0001	Damping grip φ12 (with gear mark)	1
77	360220161	Hexagon flange bolt M8x55	4
78	2425000001-0001	Vent plug	2
79	3015500002-0001	Shift lever	1
80	3016800001-0001	Gear lever set	1
81	360300009	Hexagon flange bolt M6x30	1
82	360800031	Oil seal 24x35x7	1
83	3407900001-0001	Combination gasket 8	2
84	360220038	Hexagon flange bolt M8x12	2
85	360220153	Hex flange bolt M10x12	1
86	3407900002-0001	Combination gasket 10	1

Chassis assembly (2)

13	2136700001-0001	III shaft short sleeve	1
14	2107900001-0001	1R block driven gear	2
15	2108100001-0001	III-axis driven gear	1
16	2136500001-0001	III shaft sleeve	1
17	2108200001-0001	Three-speed driven gear	1
18	2108300001-0001	Three-speed driving gear	1
19	2115100001-0001	III axis	1
20	2117200005-0001	Second gear driven gear	1
21	2136600001-0001	III shaft long sleeve	1
22	2418500004-0001	Shell (right)	1
23	2116800001-0001	Gearbox guard plate	1
24	360040009	Hex flange nut M8	8
25	360720040	Deep groove ball bearing 6206/P6	2
26	2137100001-0001	V shaft sleeve	2
27	2108600001-0001	V-axis driven gear	2
28	2136900001-0001	V-axis connection sleeve	1
29	2104500001-0001	Stop seat	2
30	360220158	Hexagon flange bolt M8x95	2
31	360220043	Hexagon flange bolt M8x40	2
32	2103300002-0001	Steering separation fork	2
33	360800030	Oil seal 15x26x6	4
34	2140700002-0001	Steering separation arm assembly	2
35	360580023	Elastic cylindrical pin rolled standard type 6x24	3
36	360720009	Deep groove ball bearing 6004/P6	2
37	2136300001-0001	IV shaft gasket	2
38	3404700004-0001	Tension loop spring	2
39	2108400001-0001	Steering gear	2
40	360910025	Circlip for hole 42	2
41	2108500001-0001	IV axis driven gear	1
42	2136200001-0001	IV axis	1
43	3410800133-0001	Bushing 20.2x25x15	1
44	2108000001-0001	II axis driving gear	1
45	2136100001-0001	II shaft sleeve	1
46	2122000004-0001	II axis	1
47	360770003	Needle bearing K20x24x13	2
48	2107800001-0001	Auxiliary transmission double gear	1
49	2136400001-0001	II shaft gasket	1
50	2107700001-0001	1R block slip gear	1
51	2107600001-0001	Second and third gear slip gear	1
52	360920064	Circlip for shaft 20	1

Assembly



Operating Instructions

◆ 1. Daily checking and refuel.

*Check whether the connecting bolts are loose everywhere, and whether the connections of electrical appliances and components are intact.

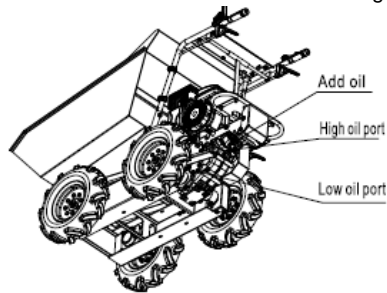
*Check whether the movements of the handles of the control system (speed

control switch, clutch handle, steering handle, etc.) are flexible and whether they are not in place and eliminate them.

*Place the gearbox shift lever in the low gear position.

Adding oil: Place the whole machine on a horizontal surface and add GL-4 gear lubricating oil into the gearbox lubricating hole, the amount of lubrication is 1.5l (see the figure below).

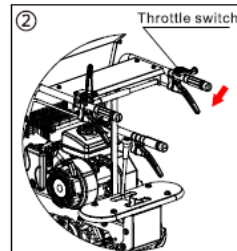
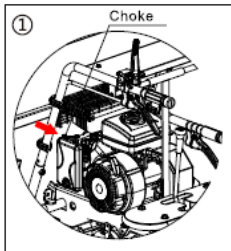
Lay the whole machine flat and observe the oil glass on the gearbox to check the oil level. The oil level line should be in the middle of the oil glass.



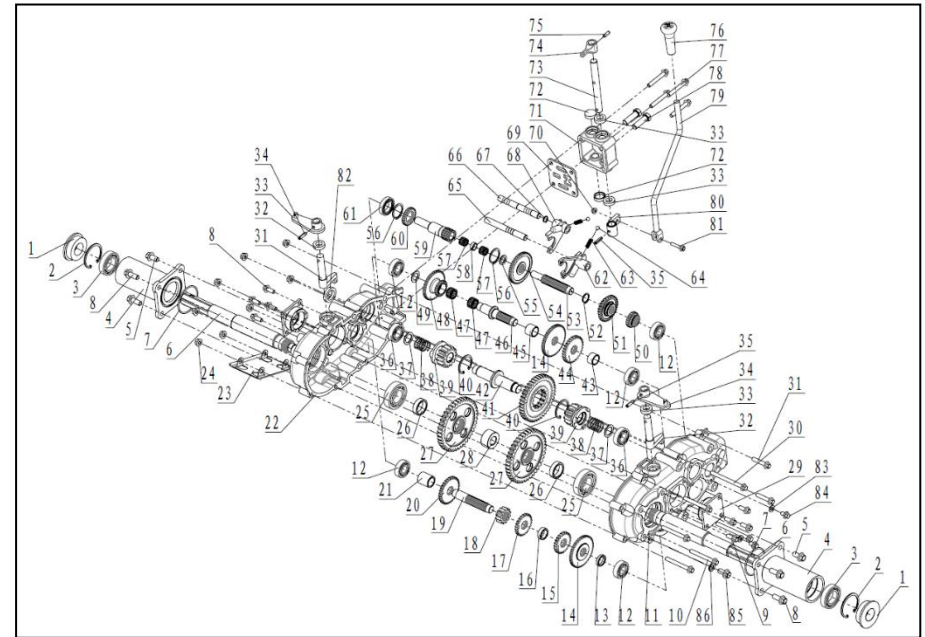
Notice

After filling the oil, the bolts of the oil filling hole must be tightened to prevent the oil from leaking out of the hole.

◆ 2. Start

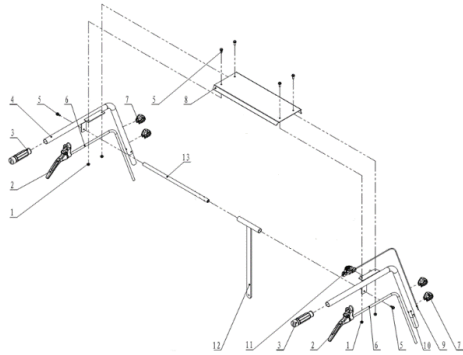


Chassis assembly (1)

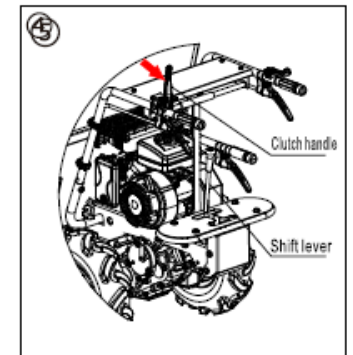
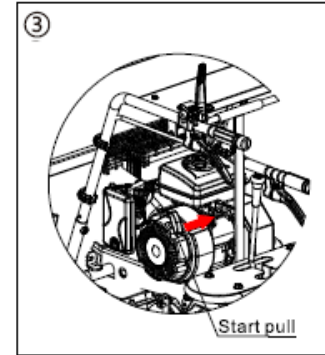


SL. No.	Item code	English description	Qty
1	3409100001-0001	Oil seal 30x55x18	2
2	360910017	Circlips for holes 55	2
3	360720012	Deep groove ball bearings 6006/P6	2
4	2427600006-0001	Support seat weldment	2
5	360220062	Hexagon flange bolt M10x20	4
6	2136800003-0001	V axis	2
7	3416100007-0001	O-ring 65x2.65	2
8	360220157	Hexagon flange bolt M10x25	4
9	360220040	Hexagon flange bolt M8x20	8
10	360220047	Hexagon flange bolt M8x70	4
11	2418500003-0001	Shell (left)	1
12	360720025	Deep groove ball bearings 6203/P6	5

Handrail control assembly



SL. No.	Item Code	English description	Qty
1	360040008	Nut	4
2	3000900010-0001	Clutch handle	2
3	3000500003-0001	Φ25 grip	2
4	2429900002-0003	welding assembly for left lever	1
5	360300007	Bolt M6x16	6
6	3009100016-0001	Turning cable	2
7	2400600001-0001	line-card	4
8	2608200005-0001	connecting panel	1
9	3000200043-0001	Throttle cable	1
10	2427300004-0001	welding assembly for right lever	1
11	1815700001-0001	shut down switch	1
12	2407300006-0003	welding assembly for supporting panel	1
13	2420200001-0005	welding assembly for horizon lever	1

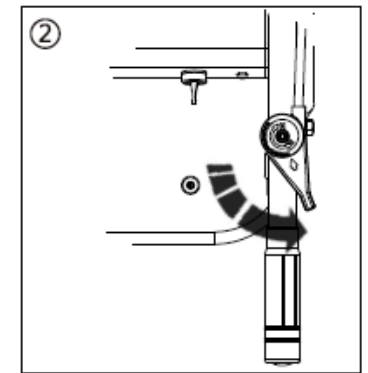
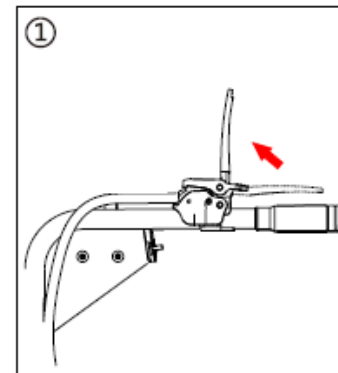


⚠ Notice

Make sure the surrounding environment is safe before starting, and driving at high speed in reverse gear is strictly prohibited.

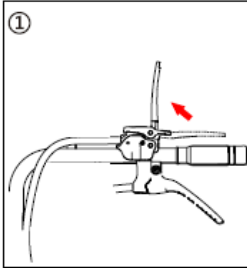
◆3. Operation

Parking

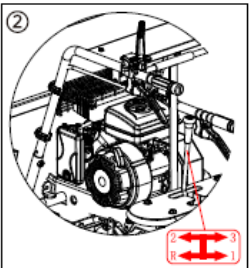


Shift

①



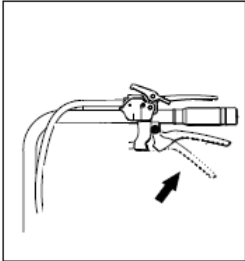
②



⚠ Notice

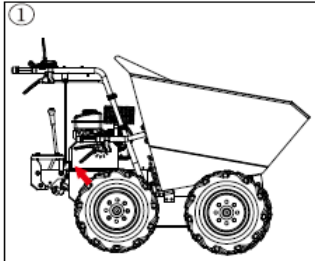
When shifting gears forwards and reverse, you need to stop before moving the gearshift lever. It is strictly forbidden to change gears while driving.

turn the direction

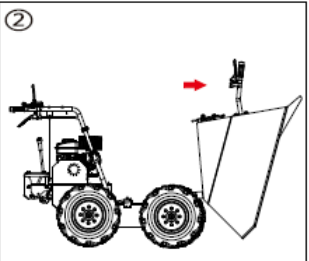


Flip the cargo box

①

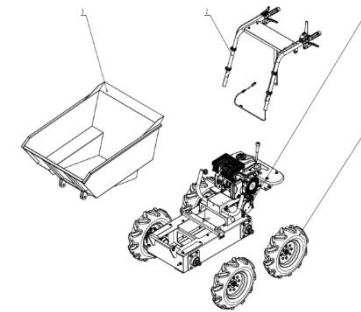


②



17	3010100003-0001	Cargo compartment lock hook cable assembly
18	2800500006-0002	Wheel

Part Diagram and list



SL. No.	English description	Qty
1	Container comp	1
2	Handlebar components	1
3	Chassis comp	1
4	Wheels Assy	1

4. Protect the engine with protective materials (hair canvas, tarpaulin, oiled paper etc.) to prevent foreign matter, anti-dust, and moisture from entering the engine.
5. Place the shift lever in the 1st gear or reverse gear position.
6. The transporter should be parked in the hangar or carport, and the environment. Should be ventilated and dry. It is strictly forbidden to store corrosive objects and gases. If the conditions are not available, when parking in the open air, you must choose a higher and dry platform and cover it with a rainproof cloth.
7. The parts and tools that are removed from the transporter should be cleaned, wrapped, and stored in a dry warehouse.



Warning

When cleaning the transporter, it is strictly forbidden to flush the engine with water to avoid damage to the engine.

Part list

No.	Part code	Name
1	21236000240001	V belt 13' 785
2	3416100007-0001	O-ring 65 • 2.65
3	3409100001-0001	oil seal 30 • 55 • 18
4	3408800012-0001	oil seal 17 • 33 " 7
5	3416100008-0001	O-ring 10. 6 ' 1. 8
6	3407900003-0001	Gasket 16
7	3409000010-0001	Oil plug 26 • 7
8	2806600001-0001	Brake pad (TB50)
9	360800030	Oil sea115 • 26 • 6
10	360800031	Oil seal 24 • 35.7
11	2424900002-0001	Cushion
12	3000200043-0001	Throttle cable
13	3000900010-0001	Clutch handle
14	3009100016-0001	Steering cable
15	3000900013-0002	Steering clutch handle
16	3009200078-0001	Clutch cable

Maintenance

Periodic Inspection

Item	Project	Maintenance period		
		Operation	Monthly	Year
wheels	Whether there are obvious defects or wear	0	0	0
	Is the tire pressure appropriate	0	0	0
	Whether there is gear out of gear, abnormal noise	0	0	0
Transmission	Whether there is gear out of gear, abnormal noise	0	0	0
	Whether there is oil leakage around the gearbox		0	0
Engine	Whether the engine has abnormal noise or abnormal high temperature		0	0
	Whether the cables and pipelines are damaged.		0	0
Brake	whether the brake system is in normal state	0	0	0
	Whether it can stay stropped at a 25-degree tilt when braking		0	0
Steering clutch,	Make sure there is no abnormal sound during operation	0	0	0
	Whether the freeness of the operating rod is in the proper position	0	0	0
	Whether the cable is damaged, and the connection is firm, whether the end of each cable is rusty		0	0
Belt, chain, half shaft.	Whether there is deformation or obvious wear,	0	0	0
	is the shaft state normal	0	0	0
	Whether the installation bolts and nuts are loose or fall off	0	0	0
	Whether there is oil leakage around the bearing position		0	0
Frame and body	Whether there are cracks or deformation		0	0
	Whether the installation bolts and nuts are loose or fall off		0	0
Cargo box	Is the container turning flexible and smooth		0	0

	Whether the switch of the cargo box flip handle is abnormal		0	0
	Whether there are cracks or deformation		0	0
	Whether the installation bolts and nuts are loose or fall off ○ ○		0	0
Label	Whether there is dirt and damage on the label	0	0	0

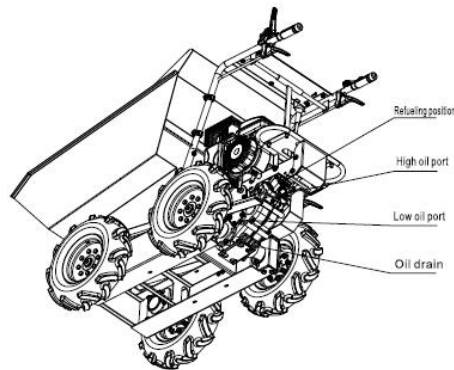
Notice

□ Turn off the engine before performing any maintenance.
◆ The engine and transmission assembly should be inspected and repaired by an authorized salesperson, unless the user has the appropriate tools, maintenance information, and maintenance capabilities.

Notice

Use authentic Weima transporter parts. Using poor quality substitutes can damage the transporter.

Change the Oil



Drain the oil when the gearbox is still warm, so that they can be discharged quickly and completely.

1. Unscrew the oil drain bolt to drain off the lubricating oil.

2. Install and tighten the oil bolt.
3. Unscrew the oil filter bolt, add new lubricating oil again, and check that the oil level is in the middle of the oil glass.
4. Install the fuel filter bolt. (The lubricating oil capacity of the gearbox is about 1.5L)

Transfer and Storage

1. Transshipment

Notice

- ① Park the truck on a flat road and fix the wheels.
- ② Make sure that there is no fault or misalignment between the hook of the ferry board and the cargo platform after it is hung on the cargo platform.
- ③ Please advance slowly and load the machine.
- ④ Park according to the order of the parking method, and fix the machine on the truck with steel wires or ropes.

Storage

Notice

After completing farmland operations, or when the transporter needs to be parked for a long time, it must be properly kept and sealed. The machine should be kept in a well-ventilated environment to prevent corrosion, aging and deformation of the machine parts.

Before the transporter is sealed, it must be thoroughly cleaned, adjusted and tightened to each connection, and the specified technical maintenance must be completed according to the working time, so that the transporter is in good condition.

1. Before storing, check the handling machine carefully, remove the existing fault and keep the technical condition in good condition. Clean the exterior of the transporter.
2. Drain the oil.
3. Drain the oil in the engine while it is warm, add new oil, and let the transporter run at low speed for a few minutes to make the oil evenly adhere to the surface of the moving parts.