

Limitation of Liability: This limited warranty is in lieu of all other express warranties, obligations, or liabilities. Any implied warranties, obligations, or liabilities, including, but not limited to, any implied warranty of merchantability shall be limited in duration to the applicable warranty period. Any action for breach of any warranties hereunder, including, but not limited to, any implied warranty of merchantability must be brought within the applicable warranty period.

Modifications of Warranty: No agent, representative, dealer, or employee of KisanKraft Limited or any of its manufacturers has the authority to increase or alter the obligations of this warranty.

Assignment / Transfer of warranty: The warranty cannot be assigned and shall not transfer if the product is resold by the first buyer. The above warranties are extended to the first end user (original purchaser), and no warranty is made, nor authorized to be made assignable on resale by the first end user.

What you must do to obtain limited warranty service: To obtain performance of any obligation under this warranty for failure during the applicable warranty period, you must deliver the defective product, to the nearest Authorized Dealer, along with proof-of-purchase (invoice/receipt). KisanKraft Limited, its manufacturers and its dealers reserve the right to inspect the claimed defective part(s) to determine if the malfunction is the result of a defect covered by this warranty. Please note that the decision of KisanKraft Limited with respect to any warranty claim is final.

After-sales Service (Including Warranty): KisanKraft Limited does not sell directly to consumers. All sales or supplies are made through Authorized Dealers. It is the responsibility of the Authorized Dealer to provide all after-sales service to consumers. Any warranty claim should be raised by dealer to KisanKraft Limited as per warranty policy.

Jurisdiction: All disputes are subject to Bangalore court's jurisdiction.

Notes:

- This purchase is not contingent upon a product demonstration. The purchaser shall satisfy himself with the product, including any product demonstration or verification of any function, before buying. KisanKraft Limited or its authorized dealers, including online sellers, shall not be liable to give any on-site demonstration after purchase of any of the product.
- Any product once used will not be taken back by KisanKraft Limited.
- Warranty and After Sale Services (including but not limited to installation, Demonstration, Repair, Routine Maintenance etc.), should be done through the Authorized Dealer selling this product.
- Dealers should have their own technician to provide After Sales Services to their Customers. KisanKraft Limited provides free training to Authorized Dealer's technicians at KisanKraft Limited's head office, on request from Authorized Dealer.

Product	SPARK IGNITION INTERNAL COMBUSTION PISTON ENGINE FOR AGRICULTURE	KisanKraft Invoice Date	
Brand	KisanKraft	KisanKraft Invoice No.	
Model	☐ KK-PE4-390		
WARRANTY PERIOD	6 MONTHS	FOR THE SPECIFIED PERIOD FROM THE DATE OF SALE OR DELIVERY WHICHEVER IS EARLIER.	
Dealer's Invoice Date		Dealer's Invoice No.	
Buyer's Info (Name, Address, Phone, etc.):		Dealer's Stamp (Address, Phone, TIN, etc.):	
Buyer's Sign		Dealer's Sign	

Warranty Policy

What is covered: KisanKraft Limited and its manufacturers warrant this product to be free from defects in material or workmanship. All parts defective in material and workmanship are covered.

This warranty will only cover defects arising under normal usage.

This warranty is limited to repair or replacement by KisanKraft Limited or its manufacturers of such parts as appear to KisanKraft or its manufacturers, upon inspection, to be defective in material and/or workmanship. KisanKraft or its manufacturers make no warranty with respect to items not manufactured or sold by them. No onsite warranty is provided by KisanKraft Limited or its manufacturers. Defective items must be brought/sent to our Authorized Dealer or KisanKraft Limited's office for service.

What is not covered: The *warranty shall become null and void* and neither KisanKraft Limited nor any of its manufacturers, nor its authorized dealers assume any responsibility, if the failure was caused by the following:

- (1) Operation of product with incorrect fuel or lubricants, (2) Incorrect usage of machine or misuse, (3) Lack of maintenance, (4) Negligence, (5) Accident or physical damage, (6) Repairs made by unauthorized parties and/or with unauthorized parts, (7) Improper set up, adjustments, tampering or altered products (8) Any modification to the product what-so-ever.

Important: (1) Normal maintenance and adjustments to the product is the responsibility of the customer. (2) Normal wear and tear are not covered under warranty. (3) Rubber/plastic parts and consumables such as blades, clutch and clutch-bell, sparkplugs, nylon line, air-filters, fuel-filters, oil seals and gaskets etc. are not covered under the warranty. (4) Electrical Motor, Electrical Parts, Battery Etc. are not covered under the warranty.

Incidental / Consequential Loss: KisanKraft Limited or its manufacturers will not be liable for general damages, including bodily injuries, or for incidental or consequential damages including, but not limited to, loss of use, loss of profits, loss of production, expense of substitute equipment or other commercial loss or damage.

Limitation of Liability: This limited warranty is in lieu of all other express warranties, obligations, or liabilities. Any implied warranties, obligations, or liabilities, including, but not limited to, any implied warranty of merchantability shall be limited in duration to the applicable warranty period. Any action for breach of any warranties hereunder, including, but not limited to, any implied warranty of merchantability must be brought within the applicable warranty period.

Modifications of Warranty: No agent, representative, dealer, or employee of KisanKraft Limited or any of its manufacturers has the authority to increase or alter the obligations of this warranty.

Assignment / Transfer of warranty: The warranty cannot be assigned and shall not transfer if the product is resold by the first buyer. The above warranties are extended to the first end user (original purchaser), and no warranty is made, nor authorized to be made assignable on resale by the first end user.

What you must do to obtain limited warranty service: To obtain performance of any obligation under this warranty for failure during the applicable warranty period, you must deliver the defective product, to the nearest Authorized Dealer, along with proof-of-purchase (invoice/receipt). KisanKraft Limited, its manufacturers and its dealers reserve the right to inspect the claimed defective part(s) to determine if the malfunction is the result of a defect covered by this warranty. Please note that the decision of KisanKraft Limited with respect to any warranty claim is final.

After-sales Service (Including Warranty): KisanKraft Limited does not sell directly to consumers. All sales or supplies are made through Authorized Dealers. It is the responsibility of the Authorized Dealer to provide all after-sales service to consumers. Any warranty claim should be raised by dealer to KisanKraft Limited as per warranty policy.

Jurisdiction: All disputes are subject to Bangalore court's jurisdiction.

Notes:

- This purchase is not contingent upon a product demonstration. The purchaser shall satisfy himself with the product, including any product demonstration or verification of any function, before buying. KisanKraft Limited or its authorized dealers, including online sellers, shall not be liable to give any on-site demonstration after purchase of any of the product.
- Any product once used will not be taken back by KisanKraft Limited.
- Warranty and After Sale Services (including but not limited to installation, Demonstration, Repair, Routine Maintenance etc.), should be done through the Authorized Dealer selling this product.
- Dealers should have their own technician to provide After Sales Services to their Customers. KisanKraft Limited provides free training to Authorized Dealer's technicians at KisanKraft Limited's head office, on request from Authorized Dealer.

Product	Spark ignition internal combustion piston Engine for Agriculture	KisanKraft Invoice Date	
Brand	KisanKraft	KisanKraft Invoice No.	
Model	☐ KK-PE4-390		
WARRANTY PERIOD	6 MONTHS	FOR THE SPECIFIED PERIOD FROM THE DATE OF SALE OR DELIVERY WHICHEVER IS EARLIER.	
Dealer's Invoice Date		Dealer's Invoice No.	
Buyer's Info (Name, Address, Phone, etc.):		Dealer's Stamp (Address, Phone, TIN, etc.):	
Buyer's Sign		Dealer's Sign	

Warranty Policy

What is covered: KisanKraft Limited and its manufacturers warrant this product to be free from defects in material or workmanship. All parts defective in material and workmanship are covered.

This warranty will only cover defects arising under normal usage.

This warranty is limited to repair or replacement by KisanKraft Limited or its manufacturers of such parts as appear to KisanKraft or its manufacturers, upon inspection, to be defective in material and/or workmanship. KisanKraft or its manufacturers make no warranty with respect to items not manufactured or sold by them. No onsite warranty is provided by KisanKraft Limited or its manufacturers. Defective items must be brought/sent to our Authorized Dealer or KisanKraft Limited's office for service.

What is not covered: The *warranty shall become null and void* and neither KisanKraft Limited nor any of its manufacturers, nor its authorized dealers assume any responsibility, if the failure was caused by the following:

- (1) Operation of product with incorrect fuel or lubricants, (2) Incorrect usage of machine or misuse, (3) Lack of maintenance, (4) Negligence, (5) Accident or physical damage, (6) Repairs made by unauthorized parties and/or with unauthorized parts, (7) Improper set up, adjustments, tampering or altered products (8) Any modification to the product what-so-ever.

Important: (1) Normal maintenance and adjustments to the product is the responsibility of the customer. (2) Normal wear and tear are not covered under warranty. (3) Rubber/plastic parts and consumables such as blades, clutch and clutch-bell, sparkplugs, nylon line, air-filters, fuel-filters, oil seals and gaskets etc. are not covered under the warranty. (4) Electrical Motor, Electrical Parts, Battery Etc. are not covered under the warranty.

Incidental / Consequential Loss: KisanKraft Limited or its manufacturers will not be liable for general damages, including bodily injuries, or for incidental or consequential damages including, but not limited to, loss of use, loss of profits, loss of production, expense of substitute equipment or other commercial loss or damage.

Wide Range of Products for Every Need



For more information give **MISSED CALL: 07676065555**



Many of our products have BIS: ISI certification.



User Manual



KisanKraft Limited

Warehouse: 818 3B1 to 818 3B18, Podalakur - Sangam Road, Prabagiripatnam, Podalakur, Nellore - 524345, Andhra Pradesh, INDIA

Head Office: #4, 1st Main, 7-A Cross, Maruthi Layout, Dasarahalli, HAF Post, Hebbal, Bangalore 560024, Karnataka, INDIA

- ◆ Bangalore (HO) ◆ Ahmedabad ◆ Bhopal ◆ Bhubaneswar ◆ Coimbatore
- ◆ Guwahati ◆ Hubli ◆ Hyderabad ◆ Jaipur ◆ Karnal
- ◆ Kolkata ◆ Lucknow ◆ Nellore ◆ Pune ◆ Raipur



Scan the QR code to download
KisanKraft App

App is available on



Scan the QR code for
KisanKraft Youtube Channel



Product	Spark ignition internal combustion piston Engine for Agriculture	KisanKraft Invoice Date	
Brand	KisanKraft	KisanKraft Invoice No.	
Model	☐ KK-PE4-390		
WARRANTY PERIOD	6 MONTHS	FOR THE SPECIFIED PERIOD FROM THE DATE OF SALE OR DELIVERY WHICHEVER IS EARLIER.	
Dealer's Invoice Date		Dealer's Invoice No.	
Buyer's Info (Name, Address, Phone, etc.):		Dealer's Stamp (Address, Phone, TIN, etc.):	
Buyer's Sign		Dealer's Sign	

Warranty Policy

What is covered: KisanKraft Limited and its manufacturers warrant this product to be free from defects in material or workmanship. All parts defective in material and workmanship are covered.

This warranty will only cover defects arising under normal usage.

This warranty is limited to repair or replacement by KisanKraft Limited or its manufacturers of such parts as appear to KisanKraft or its manufacturers, upon inspection, to be defective in material and/or workmanship. KisanKraft or its manufacturers make no warranty with respect to items not manufactured or sold by them. No onsite warranty is provided by KisanKraft Limited or its manufacturers. Defective items must be brought/sent to our Authorized Dealer or KisanKraft Limited's office for service.

What is not covered: The warranty shall become null and void and neither KisanKraft Limited nor any of its manufacturers, nor its authorized dealers assume any responsibility, if the failure was caused by the following:

(1) Operation of product with incorrect fuel or lubricants, (2) Incorrect usage of machine or misuse, (3) Lack of maintenance, (4) Negligence, (5) Accident or physical damage, (6) Repairs made by unauthorized parties and/or with unauthorized parts, (7) Improper set up, adjustments, tampering or altered products (8) Any modification to the product what-so-ever.

Important: (1) Normal maintenance and adjustments to the product is the responsibility of the customer. (2) Normal wear and tear are not covered under warranty. (3) Rubber/plastic parts and consumables such as blades, clutch and clutch-bell, sparkplugs, nylon line, air-filters, fuel-filters, oil seals and gaskets etc. are not covered under the warranty. (4) Electrical Motor, Electrical Parts, Battery Etc. are not covered under the warranty.

☎: www.kisankraft.com

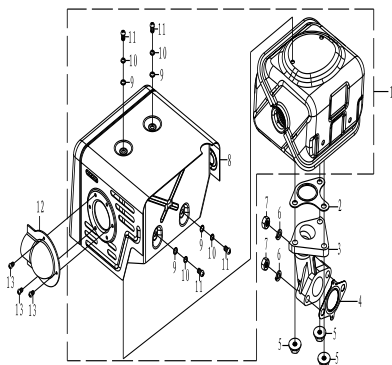
✉: info@kisankraft.com

☎: +91.80. 6835 7800

KisanKraft has a large range of products to serve the farmers. A list of our products is given below:

<p>Brush Cutters and Accessories</p> <ul style="list-style-type: none"> Brush Cutter/Power Weeder Backpack Brush Cutter Tea Pruner Pole pruner with Engine Reaper Attachment Blades-Circular Blades (2 & 3 points) Baffle Nylon Rope Tap & Go <p>Chainsaws</p> <ul style="list-style-type: none"> Petrol Chainsaw Electric Chainsaw Chain Sharpening Machine <p>Engines and Water Pumps</p> <ul style="list-style-type: none"> Engine –Diesel-(Horizontal) Engine –Diesel-(Vertical) Engine-Kerosene Water Pump with Petrol Engine Water Pump with Kerosene Engine Water Pump with Diesel Engine <p>Hand Tools</p> <ul style="list-style-type: none"> Secateurs Folding Saw Garden Rake Garden Shovel Hedge Shear Lopper Telescopic Hedge Shear Telescopic Lopping Shear Tree Pruner Telescopic Steel Pipe & Fruit Picker Bag Sheep Shear <p>Garden Tools</p> <ul style="list-style-type: none"> Electric Pressure Washer Hedge Trimmer Lawn Mower (Electric, Petrol & Manual) Leaf Blower 	<p>Cultivators and Accessories</p> <ul style="list-style-type: none"> Petrol and Diesel <p>Sprayers and Accessories</p> <ul style="list-style-type: none"> Battery Sprayer Portable Power Sprayer Trolley Sprayer Manual Knapsack Sprayer Manual Pressure Sprayer Rose Cans Hose Crimping Machine HTP Sprayer HTP Delivery Hose HTP Hose Reel HTP Stand HTP Gun / Lance(Brass Rod) Knapsack Power Sprayer Mister / Duster / GranuelSpreader HTP Sprayer Set with Diesel Engine HTP Sprayer Set with Kerosene Engine Fogging Machine <p>Milking Machine</p> <ul style="list-style-type: none"> Wood Shredder Fodder Ensiling Chaff Cutter Fodder Grinder Chaff Cutter Fodder Mini Chaff Cutter <p>Harvester</p> <ul style="list-style-type: none"> Maize Sheller Maize Sheller + Dehusker Maize Combine Harvester Onion Digger Carlotti Italy Tea Leaf Harvester Sugarcane Combine Harvester Sugarcane Leaf Stripper <p>Transplanter and Post Hole Digger</p> <ul style="list-style-type: none"> Paddy Transplanter (2 & 8 Rows) Transplanter-Vegetable & Tobacco Post Hole Digger(4" to 14" Augers)
---	--

EXHAUST ASSY



NO.	Part. NO.	English	188F/P
1	1906300157-0001	MUFFLER COMP	1
2		GASKET, MUFFLER	/
		GASKET, MUFFLER	1
3		PIPE COMP, EX	/
		PIPE COMP, EX	1
4	1906100005-0001	AIR EXHAUST WASHER	1
5	360080002	NUT M8	3
6	360620008	SPRING WASHER GB/T93_8	2
7	360010003	NUT GB/T6170_M8	2
8		MUFFLER SHIEKD	/
		MUFFLER SHIEKD	1
9	360690002	PLAN WASHER 5	4
10	360620002	SPRING WASHER GB/T93_5	4
11	360410046	SCREW M5x12	4
12	1908500006-0001	FAIRING	/
	1908500003-0001	FAIRING	1
13	360450005	SCREW GB/T845_ST4.2*5	4

Incidental / Consequential Loss: KisanKraft Limited or its manufacturers will not be liable for general damages, including bodily injuries, or for incidental or consequential damages including, but not limited to, loss of use, loss of profits, loss of production, expense of substitute equipment or other commercial loss or damage.

Limitation of Liability: This limited warranty is in lieu of all other express warranties, obligations, or liabilities. Any implied warranties, obligations, or liabilities, including, but not limited to, any implied warranty of merchantability shall be limited in duration to the applicable warranty period. Any action for breach of any warranties hereunder, including, but not limited to, any implied warranty of merchantability must be brought within the applicable warranty period.

Modifications of Warranty: No agent, representative, dealer, or employee of KisanKraft Limited or any of its manufacturers has the authority to increase or alter the obligations of this warranty.

Assignment / Transfer of warranty: The warranty cannot be assigned and shall not transfer if the product is resold by the first buyer. The above warranties are extended to the first end user (original purchaser), and no warranty is made, nor authorized to be made assignable on resale by the first end user.

What you must do to obtain limited warranty service: To obtain performance of any obligation under this warranty for failure during the applicable warranty period, you must deliver the defective product, to the nearest Authorized Dealer, along with proof-of-purchase (invoice/receipt). KisanKraft Limited, its manufacturers and its dealers reserve the right to inspect the claimed defective part(s) to determine if the malfunction is the result of a defect covered by this warranty. Please note that the decision of KisanKraft Limited with respect to any warranty claim is final.

After-sales Service (Including Warranty): KisanKraft Limited does not sell directly to consumers. All sales or supplies are made through Authorized Dealers. It is the responsibility of the Authorized Dealer to provide all after-sales service to consumers. Any warranty claim should be raised by dealer to KisanKraft Limited as per warranty policy.

Jurisdiction: All disputes are subject to Bangalore court's jurisdiction.

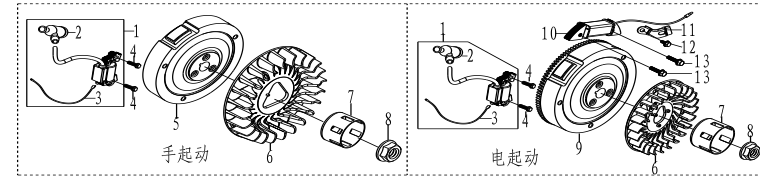
Notes:

- This purchase is not contingent upon a product demonstration. The purchaser shall satisfy himself with the product, including any product demonstration or verification of any function, before buying. KisanKraft Limited or its authorized dealers, including online sellers, shall not be liable to give any on-site demonstration after purchase of any of the product.
- Any product once used will not be taken back by KisanKraft Limited.
- Warranty and After Sale Services (including but not limited to installation, Demonstration, Repair, Routine Maintenance etc.), should be done through the Authorized Dealer selling this product.
- Dealers should have their own technician to provide After Sales Services to their Customers. KisanKraft Limited provides free training to Authorized Dealer's technicians at KisanKraft Limited's head office, on request from Authorized Dealer.

CONTENTS

BEFORE GETTING STARTED	7
SAFETY LABELS	7
SAFETY INSTRUCTIONS	7
PRE-OPERATION CHECKS	8
A. Check the oil level	8
B. Fuel level	9
C. Air cleaner	10
STARTING THE ENGINE	11
STOPPING THE ENGINE	12
MAINTENANCE	13
STORAGE	15
TRANSPORTATION	15
TROUBLESHOOTING	15
TECHNICAL SPECIFICATIONS	16

FLYWHEEL AND IGNITION ASSY



NO.	Part. NO.	English	188F/P(-2)
1	2204100020-0001	IGNITION	1
2	2204500005-0001	CORD, STOP SWITCH	1
3	2204600002-0001	CAP, IGNITION	1
4	360300008	BOLT M6x25	1
5	1303000013-0001	FLYWHEEL	/
	1303000018-0001	FLYWHEEL	1
6	1601200006-0001	FAN, COOLING	/
	1601200007-0001	FAN, COOLING	1
	1601200009-0001	FAN, COOLING	/
	1601200010-0001	FAN, COOLING	/
7	2001900008-0001	PULLEY, STARTER	/
	2001900009-0001	PULLEY, STARTER	1
8	360050008	NUT M16x1.5	1
9	1303000012-0001	FLYWHEEL	/
	1303000017-0001	FLYWHEEL	1
10	2203700001-0001	COIL ASSY., CHARGE	1
11	2202200008-0001	PRESS LINE BOARD	1
12	360300005	BOLT M6x12	1
13	360300008	BOLT M6x25	2

4	3410500002-0001	T-SHAPE BOLT	1
5	360040008	NUT M6	1
6	1701700007-0001	TIE ROD	/
	1701700008-0001	TIE ROD	1
7	1701800004-0001	FINE ADJUSTMENT SPRING	1
8	1701900007-0001	GOVERNING SPRING	/
	1701900010-0001	GOVERNING SPRING	1
	1701900030-0001	GOVERNING SPRING	/
9	360410057	SCREW M4x6	1
10	1700800006-0001	WIRE TERMINAL	1
11	360940014	SPLIT WASHER	1
12	360330002	BOLT M5x16	1
13	1700900001-0001	PRESS LINE BOARD	1

BEFORE GETTING STARTED

Thank you for your purchase and use of our products. In order to avoid accidents or injury, **please read this manual carefully** before using the machine. After reading, preserve it for further reference. This manual is a part of the gasoline engine and should be transferred when the machine is resold.

SAFETY LABELS

! DANGER

Indicates a hazard, if not avoided, can result in human injury or death.

! WARNING

Indicates a hazard, if not avoided, could result in human injury and/or property damage.

CAUTION

Indicates a hazard, if not avoided, might result in slight injury and/or property damage.



Please read and understand this owner's manual before operation of the engine to avoid accidents by familiarizing yourself with your engine's controls and safe operation procedures.

SAFETY INSTRUCTIONS

1. Please perform some pre-operation checks before operation to avoid human injury and equipment damage.
2. Keep the engine in good, ventilated places at least 1 meter away from buildings and other equipment's during operation and keep the flammable substances away from the engine to avoid fire.
3. Keep children and pets away from the operation area.
4. Make sure that the person who operates the engine receives proper instruction.
5. Keep the flammable substances (gasoline, matches) away from the operating engine.
6. As gasoline is extremely flammable and explosive under certain conditions, please refuel in a well-ventilated area with the engine stopped.
7. Do not fill above the shoulder of the fuel strainer.
8. Make sure the fuel cover is tightened.
9. Make sure that any spilled fuel has been wiped off before starting the engine.
10. Do not smoke or allow flames or sparks where the engine is refueled or where gasoline is stored.
11. Exhaust contains poisonous carbon monoxide, a colorless and odorless gas. Breathing exhaust can cause loss of consciousness and may lead to death. Do not operate the engine without good ventilation or in enclosed room.
12. If you run the engine in an area that is confined, or even partially enclosed, the air you breathe could contain a dangerous amount of exhaust gas. Provide adequate ventilation so as to keep exhaust gas from accumulation.
13. Place the engine on flat (level) surface, tilting angle of the engine should not be more than 20°, otherwise it will lead to fuel spilling out.

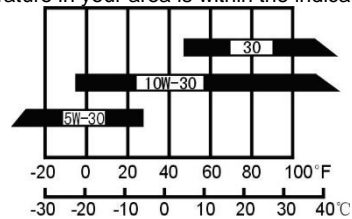
14. Do not cover the engine so as to avoid fire occurrence.
15. The muffler becomes very hot during and immediately after operation. Be careful not to touch the muffler while it is hot. Let the engine cool down before storing the engine indoors.

PRE-OPERATION CHECKS

A. Check the oil level.

Lubricating oil:

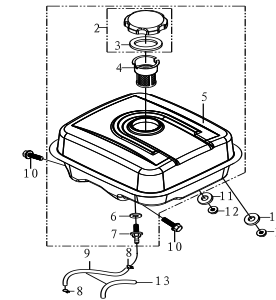
- Engine lubricant oil is a major factor affecting engine performance and service life.
- The use of the lubricating oil free of cleaning agent or the lubricating oil for the two-stroke engine will shorten the life of the gasoline engine.
- The operating temperature range recommended for the gasoline engine is -5°C~40°C.
- Use 4-stroke motor lubricant oil. 20W-40 is recommended in general, at all temperature use. Other viscosities shown in the chart may be used when the average temperature in your area is within the indicated range.



Ambient temperature →

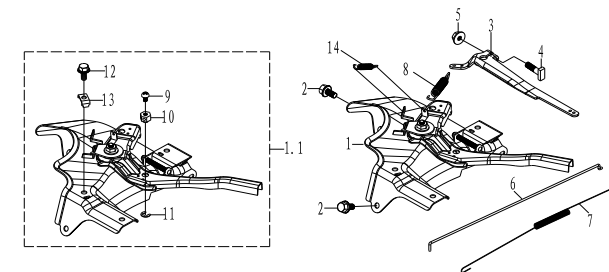
- Before checking engine lubricant oil, place the engine on level surface
- Turn out the oil filler cap and clean the dipstick with a clean cloth.
- Insert the dipstick back into the oil filler hole without turning it in.
- If oil level is below the lower mark of the dipstick, fill oil to the upper level of the dipstick.
- Reinstall the oil filler cap properly.

FULE OIL ASSY



NO.	Part. NO.	English	188F/P
1	1800100058-0002	TANK FUEL COMP.	/
	1800100075-0003	TANK FUEL COMP.	1
2	1800900017-0001	CAP COMP, FUEL FILLER	1
3	1801200001-0001	PACKING, FUEL FILLER	1
4	1801800001-0001	FILTER FUEL	1
5		FUEL TANK	/
		FUEL TANK	1
6	1802200001-0002	PACKING	1
7	1802000001-0002	JOINT, FUEL TANK	1
8	3413300002-0001	CLIP, TUBE	2
9	1816300047-0001	TUBE, FUEL	1
10	360220041	BOLT GB/T16674.1_M8*25	4
11	1802500001-0001	WASHER,	2
12	360040009	NUT GB/T6177.1_M8	2
13	1814900001-0001		1

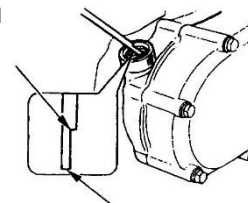
THROTTLE CONTROL ASSY



NO.	Part. NO.	English	188F/P(-2)
1	1700100038-0001	CONTROL ASSY	/
	1700100040-0001	CONTROL ASSY	1
	1700100042-0001	CONTROL ASSY	/
2	360300005	BOLT M6x12	2
3	1702000005-0001	ARM. GOVERNOR	/
	1702000007-0001	ARM. GOVERNOR	1

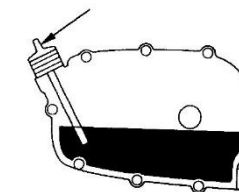
10		10	SCREW SET, PILOT	/
			SCREW SET, PILOT	1
11		11	SPRING	1
12		12	CHOKE VALVE COMPONENT	/
			CHOKE VALVE COMPONENT	1
13	1808500001-0001	13	CHOKE PLATE HANDLE	1
14		14	SCREW	2
15		15	FUEL SWITCH COVER PLATE	1
16		16	WASHER	1
17		17	FUEL SWITCH HANDLE	1
18		18	FUEL SWITCH SEAL	1
19		19	MIXTURE	/
			MIXTURE	1
20		20	PIN	1
21	EACH CARBURETOR CORRESPONDS TO A DIFFERENT CODE	21	NOZZLE, MAIN	/
	EACH CARBURETOR CORRESPONDS TO A DIFFERENT CODE		NOZZLE, MAIN	1
	EACH CARBURETOR CORRESPONDS TO A DIFFERENT CODE		NOZZLE, MAIN	/
22	EACH CARBURETOR CORRESPONDS TO A DIFFERENT CODE	22	JET, MAIN	/
	EACH CARBURETOR CORRESPONDS TO A DIFFERENT CODE		JET, MAIN	1
	EACH CARBURETOR CORRESPONDS TO A DIFFERENT CODE		JET, MAIN	/
23		23	NEEDLE VALVE	1
			NEEDLE VALVE	1
24		24	SPRING, NEEDLE VALVE	1
25		25	CHAMBER SET,FLOAT	1
26		26	FLOAT SET	1
27		27	WASHER	1
28		28	GASKET	1
29		29	BOLT	1
30		30	BOLT, DRAIN PLUG	1

Upper level



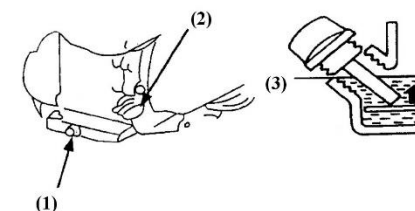
Lower level

Dipstick



Engine oil alert system (optional function):

The oil alert system is designed to prevent engine damage caused by insufficient oil in the crankcase. When the oil level in the crankcase falls below the safe limit, the oil alert system will automatically stop the engine even if the engine switch remains at the ON position. If the engine stops and cannot be restarted, check the engine oil level before troubleshooting in other areas.



(1) Drain plug

(2) Engine switch

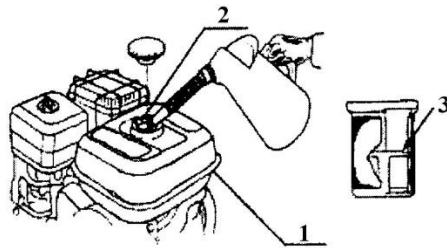
(3) Lower level

B. Fuel level

- Check the fuel gauge, and refill the tank if the fuel level is low. Do not fill above the shoulder of the fuel strainer. The fuel 90# gasoline is recommended.
- Unleaded gasoline produces less engine and spark plug fouling and extends exhaust system life.
- Never use stale or contaminated gasoline or oil/gasoline mixture. Avoid dirt, rubbish and water from getting into the fuel tank.
- If spark knock or pinging occurs at a steady engine speed under normal load, change brands of gasoline. If spark knock or pinging persists, see an authorized dealer.

! WARNING:

- Running the engine with persistent spark knock or pinging can cause engine damage.
- If persistent spark knocks or pinging is caused by improper usage of the unit, the Distributor's Limited Warranty does not cover parts damaged by that.

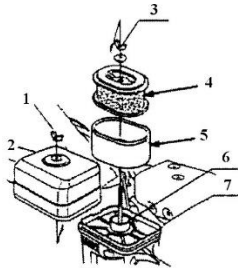


(1) Fuel tank (2) Fill in hole (3) Red line level

C. Air cleaner

The air cleaner is a dry type including paper element and foam element.

- Remove the clip and dismantle the air cleaner housing or remove the wing nuts and air cleaner cover.
- Wash the element in solution of household detergent and warm water, then rinse thoroughly, or wash in nonflammable or high flash point solvent. Allow the element to dry thoroughly



- 1) Butterfly nut
- 2) Air cleaner cover
- 3) Butterfly nut
- 4) Paper element
- 5) Foam element
- 6) Seal washer
- 7) Silencer plate

! WARNING:

Do not run the engine without air cleaner.

! DANGER

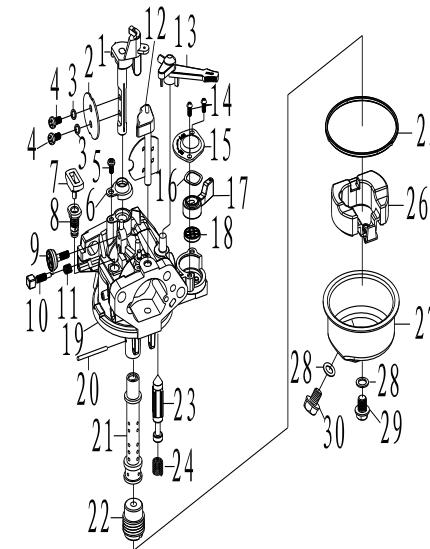
Using gasoline or flammable solvent to clean the filter element can cause a fire or explosion.

! CAUTION:

Do not run the engine without air cleaner core, otherwise dust and/or other foreign matters may get into the engine through carburetor, and results in rapid engine worn-out.

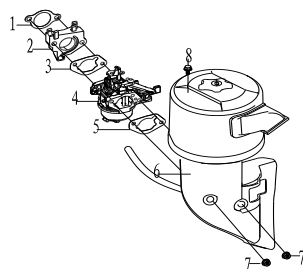
	1902200010-0001		/
	1902200012-0001		/
5	1903400013-0001	PAPER ELEMENT, AIR CLEANER	1
	1903400014-0001	PAPER ELEMENT, AIR CLEANER	/
6	1903600002-0001	PAPER ELEMENT, AIR CLEANER	1
	1903600003-0001	PAPER ELEMENT, AIR CLEANER	/
7	1903700031-0001	SPENGE ELEMENT, AIR CLEANER	1
	1903700019-0001	SPENGE ELEMENT, AIR CLEANER	/
8	360100003	BUTTERFLY NUT	1
9	1901300019-0001	UP COVER,AIR CLEANER	1
	1901300020-0001	UP COVER,AIR CLEANER	/
10	1203500006-0001	WASTE GAS PIPE	1
	1203500007-0001	WASTE GAS PIPE	/

ARBURETOR CIRCUIT ASSY



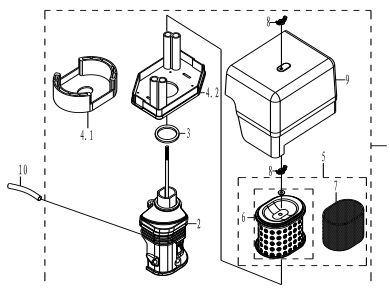
NO.	Part. NO.	NO.	English	188F/P(-2)
1	1807900043-0001	1	THROTTLE VALVE PIN	/
	1807900052-0001		THROTTLE VALVE PIN	1
2		2	THROTTLE VALVE BLOCK	/
			THROTTLE VALVE BLOCK	1
3		3	SPRING WASHER	2
4		4	SCREW	2
5		5	SCREW M3x6	1
6		6	COVER, THROTTLE VALVE	1
7	1808700001-0001	7	CAP, IDLE HOLE	1
8	EACH CARBURETOR CORRESPONDS TO A DIFFERENT CODE	8	IDLE HOLE COMPONENT	/
	EACH CARBURETOR CORRESPONDS TO A DIFFERENT CODE		IDLE HOLE COMPONENT	1
	EACH CARBURETOR CORRESPONDS TO A DIFFERENT CODE		IDLE HOLE COMPONENT	/
9		9	JET SET, PILOT	1

INLET ASSY



NO.	Part. NO.	Part Name	Qty
1	1900100019-0001	AIR INTAKE WASHER	/
	1900100020-0001	AIR INTAKE WASHER	1
2	1900300007-0001	INSULATOR	/
	1900300009-0001	INSULATOR	1
3	1900200008-0001	PACKING, CARBURETOR	/
	1900200010-0001	PACKING, CARBURETOR	1
4	1807900035-0001	CARBURETOR	/
	1807900041-0001	CARBURETOR	1
	1807900050-0001	CARBURETOR	/
	1807900058-0001	CARBURETOR	/
5	1901000007-0001	GASKET, AIR CLEANER	1
6	1901100043-0001	AIR CLEANER ASSY	/
	1901100059-0001	AIR CLEANER ASSY	1
7	360040008	NUT GB/T6177.1_M6	2
8	360300008	BOLT GB/T5789_M6*25	1

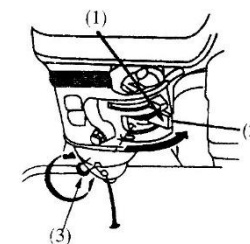
AIR FILTER ASSY



NO.	Part. NO.	English	177F/P
1	1901100038-0001	AIR CLEANER ASSY	1
	1901100055-0001	AIR CLEANER ASSY	/
	1901100066-0001	AIR CLEANER ASSY	/
2	1902400004-0001	AIR CLEANER CASE	1
	1902400005-0001	AIR CLEANER CASE	/
3	1903000007-0001	PACKING	1
4	1902200011-0001		1

STARTING THE ENGINE

- Turn the fuel valve to ON position, unscrew the drain plug on carburetor bottom, and fasten the drain plug until oil spills out.
- Pull the choke rod to the CLOSE position. Adjust throttle to proper position. Pull the starter grip lightly until resistance is felt, then pull it rapidly



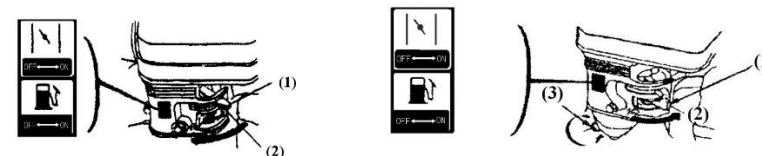
(1) Fuel Valve

(2) Start Level

(3) Drain Plug

NOTE:

- Do not allow the starter grip to snap back against the engine. Return it gently to prevent damage to the starter.
- Once the engine got started, let it run for 1~3 minutes at idle speed, check whether it is balanced, cracked, then pull the throttle to open position, adjust choke rod to OPEN.



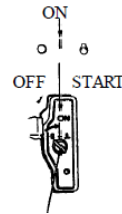
(1) Auto-Throttle

(2) Off Position

(3) Starter Knob

Electrical Starting:

Turn the engine switch to START position and hold a while until the engine started

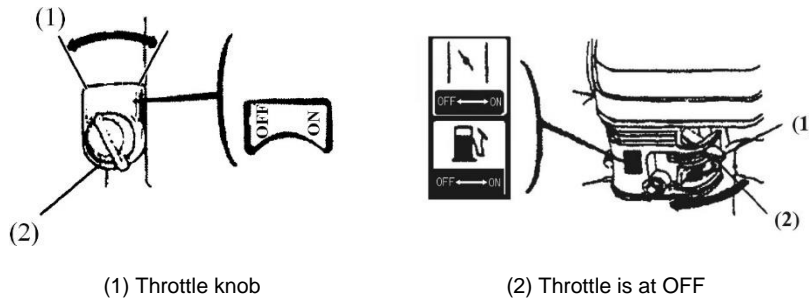


ENGINE SWITCH

NOTE: Restrict the starting time within 5 seconds to avoid engine damage. If engine cannot be started, release starter knob, retry after 10 seconds.

STOPPING THE ENGINE

Adjust throttle to proper position. Reduce engine speed, close the choke. Turn engine switch to OFF position.



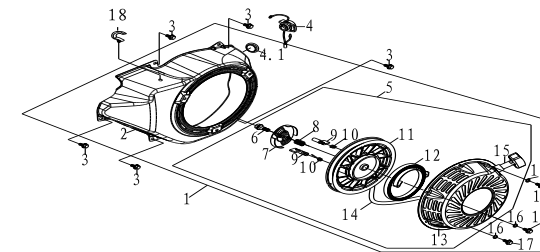
(1) Throttle knob

(2) Throttle is at OFF

! DANGER:

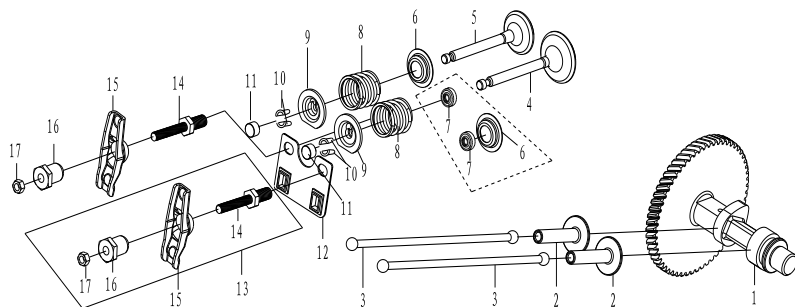
- Gasoline is extremely flammable and explosive under certain conditions.
- Refuel in well-ventilated places with the engine stopped. Do not smoke or allow flames or sparks near the places where the engine is refueled or gasoline is stored.
- Do not add fuel over the shoulder of strainer. After fueling, tighten the tank cover.
- Fuel vapors are extremely flammable and may ignite after the engine has started. Make sure that any fuel spillage has been wiped off before starting the engine.

STAR ASSY



NO.	Part. NO.	Part Name	Qty
1	2000100089-0011	RECOIL STARTER ASSY	/
	2000100102-0010	RECOIL STARTER ASSY	1
	2000100145-0009	RECOIL STARTER ASSY	/
2	1600100022-0006	WIND SCOOPER	/
	1600100063-0003	WIND SCOOPER	1
	1600100064-0002	WIND SCOOPER	/
3	360300005	BOLT M6x12	5
4	2205000002-0001	SWITH ASSY, ENGINE STOP	1
4.1	2001800001-0001	PLUG, RECOIL STARTER	1
5	2000200015-0002	STARTER COMP, RECOIL	/
	2000200019-0001	STARTER COMP, RECOIL	1
	2000200067-0002		
6	2000500001-0001	CENTER POSITION BOLT	1
7	2000600001-0001	RATCHET, GUIDE	1
8	2000700001-0001	CENTER POSITION SPRING	1
9	2000800003-0001	RATCHET, STARTER	2
10	2000900001-0001	SPRING, RETURN	2
11	2001000005-0002	REEL, RECOIL STARTER	/
	2001000006-0001	REEL, RECOIL STARTER	1
12	2001200003-0001	SPRING, STARTER RETURN	1
13	2000300002-0002	STARTER COVER COMP, RECOIL	/
	2000300019-0001	STARTER COVER COMP, RECOIL	1
14	2001300002-0001	ROPE, RECOIL STARTER	1
15	2001400003-0001	HANDLE, STARTER	1
16	360630007	RECOIL STARTER ASSY 6	3
17	360220002	BOLT M6x10	3
18	3412400007-0001	CLIP	1

VALVE TRAIN ASSY



NO.	Part. NO.	Part No.	Qty
1	1400100011-0001	CAMSHAFT ASSY	/
	1400100014-0001	CAMSHAFT ASSY	1
	1400100015-0001	CAMSHAFT ASSY	/
	1400100027-0001	CAMSHAFT ASSY	/
2	1403400005-0001	LIFTER, VALVE	2
3	1401100004-0001	ROD, PUSH	/
	1401100005-0001	ROD, PUSH	2
	1401100009-0001	ROD, PUSH	/
4	1401700005-0001	VALVE, INLET	/
	1401700007-0001	VALVE, INLET	1
	1401700009-0001	VALVE, INLET	/
5	1401800026-0002	VALVE, EXHAUST	/
	1401800028-0001	VALVE, EXHAUST	1
	1401800030-0001	VALVE, EXHAUST	/
6	1403100006-0001	VALVE SPRING SEAT	1 (exhaust valve end)
7	1200900005-0001	VALVE SEAL	1
8	1402700005-0001	SPRING, VALVE	2
	1402700006-0001	SPRING, VALVE	/
9	1403800002-0001	EXHAUST VALVE SPRING SEAT	2
10	1403200002-0001		/
11	1403300003-0002	ADJUSTER, EX. VALVE	2
12	1401500003-0001	PLATE, PUSH ROD GUIDE	1
13	1401900006-0001	ARM ASSY, VALVE ROCKER	2
14	1402400002-0001	BOLT, PIVOT	2
15	1402000003-0001	ARM, VALVE ROCKER	2
16	1402500001-0001	ADJUSTING NUT, VALVE	2
17	1403700001-0001	NUT, PIVOT LOCKING	2

- Avoid skin coming in contact with gasoline for a long time, avoid breathing in gasoline vapors. Keep children away from them.

NOTE:

Fuel can damage paint and plastics. Be careful when refueling. Damage caused by spilling fuel is not covered under warranty.

MAINTENANCE

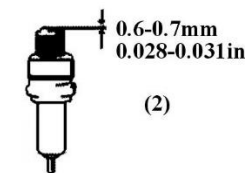
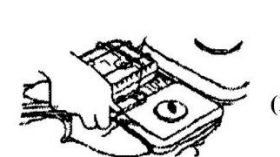
Do periodic maintenance to keep the engine in good condition. Always follow the inspection and maintenance recommendation and schedules given in this manual.

! WARNING:

Stop the engine before doing any maintenance work. If the engine must be operated, provide adequate ventilation. Breathing in exhaust can cause loss of consciousness and even lead to death.

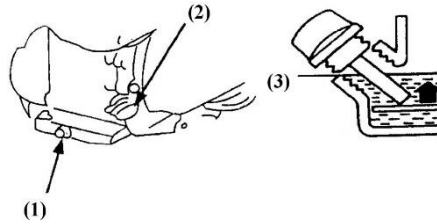
Everyday Maintenance:

1. **Air cleaner:** A dirty air cleaner will restrict air flow into the carburetor. To prevent carburetor malfunction, service the air cleaner regularly. Service more frequently when operating the generator in extremely dusty areas.
 - Check air cleaner core, get rid of fouling, and keep the core clean.
 - Check bolts, fasten the loose ones.
 - Check whether lubricant oil level is within the limits.
2. Clean the core after 25hrs of engine run
3. Clean carbon fouling of the spark plug after working up to 50hrs. Check the clearance, and adjust the gap to 0.6-0.7mm (see figure 4-1). Check radiator, and clean fouling among radiators.
 - Drain the oil while the engine is warm to assure rapid and complete draining.
 - Remove the drain plug and sealing washer, remove the oil filler cap, and drain the oil.
 - Reinstall the drain plug and sealing washer. Tighten the plug securely.
 - Refill with the recommended oil and check the oil level.



CRANK-CONNECTING ROD ASSY

- (1) Dismantle Spark Plug (2) Adjust Clearance
4. Clean the fuel tank and filter when working time reaches 100hrs: Remove the fuel cover, drop out filter, and wash it with brush slightly. Remove fuel tank, clean the fouling and water inside fuel tank. Reinstall fuel tank, place filter from fill-in hole, filling the clean fuel to red line level.



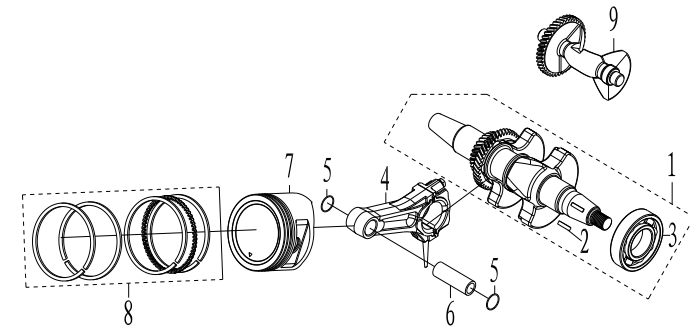
- 1) Drain plug 2) Engine switch 3) Lower level

Check aging of fuel pipe every 2 years. If ageing, hardening and cracking is detected, have it replaced. Tighten the joints, and check leakage.

Before storing the unit for an extended period:

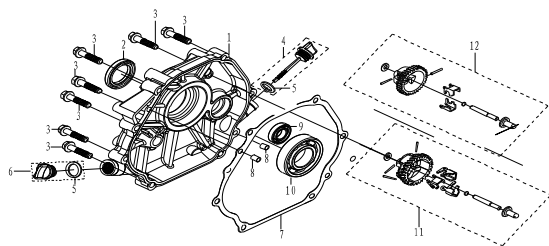
1. Make sure the storage area is free of excessive humidity and dust.
2. Service according to the table below.

Storage Time	Recommended Service Procedure To Prevent Hard Starting
Less than 1 month	No preparation required
1 to 2 months	Fill with fresh gasoline and add gasoline conditioner
2 months to 1 year	<ul style="list-style-type: none"> • Fill with fresh gasoline and add gasoline conditioner • Drain the carburetor float bowl • Drain the fuel sediment cup



NO.	Part. NO.	Part Name	Qty
1	1302000070-0000	CRANK SHAFT ASSY	/
	1302000081-0000	CRANK SHAFT ASSY	1
	1302000089-0000	CRANK SHAFT ASSY	/
	1302000094-0000	CRANK SHAFT ASSY	/
2	3412500001-0001	SPECIAL WOODRUFF KEY	1
3	360720040	BEARING 6206/P6	/
	360720042	BEARING 6207/P6	1
4	1301400007-0001	CONNECTING ROD ASSY	/
	1301400008-0001	CONNECTING ROD ASSY	1
	1301400009-0001	CONNECTING ROD ASSY	/
	1301400010-0001	CONNECTING ROD ASSY	/
5	1301300004-0001	CLIP, PISTON PIN	/
	1301300005-0001	CLIP, PISTON PIN	2
6	1301200004-0001	PIN, PISTON	/
	1301200005-0001	PIN, PISTON	1
7	1300300006-0001	PISTON	/
	1300300009-0001	PISTON	1
	1300300011-0001	PISTON	/
	1300300012-0001	PISTON	/
8	1300500008-0001	PISTON RING ASSY	/
	1300500009-0001	PISTON RING ASSY	1
	1300500011-0001	PISTON RING ASSY	/
	1300500012-0001	PISTON RING ASSY	/
9	1302600001-0001	WEIGHT, BALANCER	1
	1302600008-0001	WEIGHT, BALANCER	/

CRANKCASE COVER ASSY



NO.	Part. NO.	Part Name	Qty
1	1101000010-0001	COVER, CRANKCASE	/
	1101000017-0001	COVER, CRANKCASE	1
	1101000020-0001	COVER, CRANKCASE	/
2	360800017	OIL SEAL $\phi 30 \times \phi 46 \times 8$	/
	360800024	OIL SEAL $\phi 35 \times \phi 52 \times 8$	1
3	360300104	GB/T5789 M8x35	/
	360300109	GB/T5789 M8x40	7
4	1101500004-0001	DIPSTICK ASSY	1
5	3416100001-0001	DIPSTICK SEALING RING	1
6	1102200006-0001		1
7	1101400008-0001	GASKET, CASE COVER	/
	1101400010-0001	GASKET, CASE COVER	1
	1101400013-0001	GASKET, CASE COVER	/
8	3411200003-0001	PIN, DOWEL, $\phi 8 \times 14$	2
9	360720019	BEARING 6202/P6	1
	360720040	BEARING 6206/P6	/
	360720042	BEARING 6207/P6	1
	360720041	BEARING 6207/P5	/
11	1701200007-0001	GOVERNOR KIT COMP	/
	1701200008-0001	GOVERNOR KIT COMP	1
12	1701200009-0001	GOVERNOR KIT COMP	/

STORAGE

If the engine is not used for a long time, do the necessary maintenance before its storage.

- Firstly, take off the fuel tank, drain out all fuel, and clean the dirt and water inside the tank. Open the fuel cock, unscrew the drain plug at the bottom of carburetor, drain out fuel in carburetor thoroughly, and then tighten the drain plug.
- Secondly, unscrew the drain plug at the bottom of the crankcase and drain out the lubricant oil in the crankcase thoroughly, then tighten the drain plug.
- Finally, clean the surface of the engine with clean cloth, remove the dirt and dust etc. Then store the engine in a well-ventilated, dirt-free place.

TRANSPORTATION

- Contact with the hot engine or exhaust system can cause serious burns or fires. Allow the engine to cool down before transporting or storing the engine.
- During transport of the engine, turn the engine switch and the fuel valve to OFF. Keep the engine cool.

TROUBLESHOOTING

1. The Engine Can't Startup

- Have the engine checked if it is hard to or cannot be started.
- Firstly, check the fuel level of the fuel tank. Turn fuel valve to (2), Fuel should flow from the drain when the fuel valve is turned ON. Tighten the drain plug. (Refer to starting of the engine)

2. Spark Plug

Check the spark plug. Remove the spark plug cap and clean any dirt around it. If the engine still cannot be started after repeating several times, please see the authorized dealer. Users are not allowed to dismantle or reassemble the unit by themselves.

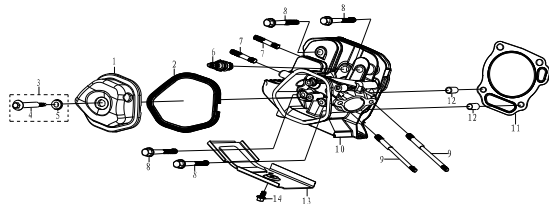
3. Not Enough Power

- Check the air-cleaners. Please refer the maintenance inspection book to clear the air-cleaner.
- Check the fuel. Please strain out the gasoline in fuel tank and in carburetor, and fill in new gasoline.
- For any other trouble, please contact our dealer.

TECHNICAL SPECIFICATIONS

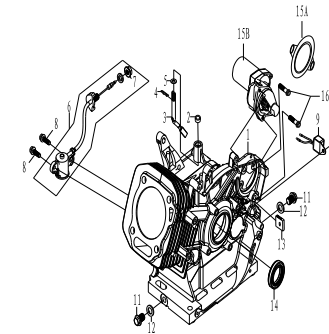
Model	KK-PE4-188
Engine Type	OHV, Single-cylinder, 4-stroke, forced air cooling
Displacement	389 cc
Fuel tank capacity	6.5 L
Engine oil capacity	1.1L
Max. torque	25 Nm/2800 RPM
Net weight	28KG
Bore x Stroke	88*64 mm

HEAD ASSY



NO.	Part. NO.	Part Name	Qty
1	1201400025-0001	HEAD COVER	1
2	1202000013-0001	GASKET, HEAD COVER	1
3	1201700001-0001	BOLT COMP	1
4	1201800001-0001	BOLT COMP	1
5	1201900001-0001	WASHER, BOLT	1
6	2204700002-0001	PLUG, SPARK F7TC	1
7	1909300002-0001	BOLT, STUD, M8x48.5	2
8	360300143	BOLT GB/T5789 M10x80	/
	360300148	BOLT GB/T5789 M10x85	4
9	1909200002-0001	BOLT, STUD, M6-8x110	/
	1909200003-0002	BOLT, STUD, M6-8x135	2
10	1200200019-0002	CYLINDER HEAD ASSY	/
	1200200020-0002	CYLINDER HEAD ASSY	1
	1200200023-0001	CYLINDER HEAD ASSY	/
11	1200800038-0001	GASKET, CYLINDER HEAD	/
	1200800040-0001	GASKET, CYLINDER HEAD	1
	1200800042-0001	GASKET, CYLINDER HEAD	/
	1200800046-0001	GASKET, CYLINDER HEAD	/
12	3411200002-0002	PIN, DOWEL φ12x20	2
13	1600600013-0001	WINDSHIELD	/
	1600600014-0001	WINDSHIELD	1
	1600600015-0001	WINDSHIELD	/
14	360300005	BOLT M6x12	1

CRANKCASE ASSY



NO.	Part. NO.	Part Name	Qty
1	1100300018-0001	CRANKCASE COMP	1
	1100300021-0001	CRANKCASE COMP	1
	1100300026-0001	CRANKCASE COMP	1
	1100300024-0001	CRANKCASE COMP	1
	1100300030-0001	CRANKCASE COMP	1
	1100300096-0001	CRANKCASE COMP	1
	1100300075-0001	CRANKCASE COMP	1
2	3410100002-0001	OIL SEAL φ8xφ14x5	1
3	1702100004-0001	GOVERNOR ARM SHAFT	/
	1702100005-0001	GOVERNOR ARM SHAFT	1
4	3410000004-0002	LOCKER, GOVERNOR ARM SHAFT	1
5	3411800008-0001	PLAIN WASHER φ8*17*1	1
6	2300100004-0002	OIL SENSOR	1
7	360040015	NUT M10	1
8	360300007	BOLT M6x16	2
9	2300300001-0001	BREAKER, PROTECTIVE	1
10	360300005	BOLT M6x12	1
11	360290006	BOLT M12x1.5x15	2
12	3412100002-0001	GB/T97/φ12xφ20x2	2
13	2202300005-0001	TUBBER GASKET	1
14	360800017	OIL SEAL φ30xφ46x8	/
	360800024	OIL SEAL φ35xφ52x8	1
15A	1102400001-0001		/
15B	2203800004-0001	START MOTOR ASSY	/
	2203800038-0001	START MOTOR ASSY	1
16A	360300097	BOLT GB/T5789_M8x25	/
16B	360220096	BOLT GB/T16674.1_M8x35	1