

Limitation of Liability: This limited warranty is in lieu of all other express warranties, obligations, or liabilities. Any implied warranties, obligations, or liabilities, including, but not limited to, any implied warranty of merchantability shall be limited in duration to the applicable warranty period. Any action for breach of any warranties hereunder, including, but not limited to, any implied warranty of merchantability must be brought within the applicable warranty period.

Modifications of Warranty: No agent, representative, dealer, or employee of KisanKraft Limited or any of its manufacturers has the authority to increase or alter the obligations of this warranty.

Assignment / Transfer of warranty: The warranty cannot be assigned and shall not transfer if the product is resold by the first buyer. The above warranties are extended to the first end user (original purchaser), and no warranty is made, nor authorized to be made assignable on resale by the first end user.

What you must do to obtain limited warranty service: To obtain performance of any obligation under this warranty for failure during the applicable warranty period, you must deliver the defective product, to the nearest Authorized Dealer, along with proof-of-purchase (invoice/receipt). KisanKraft Limited, its manufacturers and its dealers reserve the right to inspect the claimed defective part(s) to determine if the malfunction is the result of a defect covered by this warranty. Please note that the decision of KisanKraft Limited with respect to any warranty claim is final.

After-sales Service (Including Warranty): KisanKraft Limited does not sell directly to consumers. All sales or supplies are made through Authorized Dealers. It is the responsibility of the Authorized Dealer to provide all after-sales service to consumers. Any warranty claim should be raised by dealer to KisanKraft Limited as per warranty policy.

Jurisdiction: All disputes are subject to Bangalore court's jurisdiction.

Notes:

- This purchase is not contingent upon a product demonstration. The purchaser shall satisfy himself with the product, including any product demonstration or verification of any function, before buying. KisanKraft Limited or its authorized dealers, including online sellers, shall not be liable to give any on-site demonstration after purchase of any of the product.
- Any product once used will not be taken back by KisanKraft Limited.
- Warranty and After Sale Services (including but not limited to installation, Demonstration, Repair, Routine Maintenance etc.), should be done through the Authorized Dealer selling this product.
- Dealers should have their own technician to provide After Sales Services to their Customers. KisanKraft Limited provides free training to Authorized Dealer's technicians at KisanKraft Limited's head office, on request from Authorized Dealer.

Product	TEA LEAF HARVESTER	KisanKraft Invoice Date	
Brand	KisanKraft	KisanKraft Invoice No.	
Model	☐ KK-TH-4C30A ☐ KK-TH-4C30B		
WARRANTY PERIOD	6 MONTHS	FOR THE SPECIFIED PERIOD FROM THE DATE OF SALE OR DELIVERY WHICHEVER IS EARLIER.	
Dealer's Invoice Date		Dealer's Invoice No.	
Buyer's Info (Name, Address, Phone, etc.):		Dealer's Stamp (Address, Phone, TIN, etc.):	
Buyer's Sign		Dealer's Sign	

Warranty Policy

What is covered: KisanKraft Limited and its manufacturers warrant this product to be free from defects in material or workmanship. All parts defective in material and workmanship are covered.

This warranty will only cover defects arising under normal usage.

This warranty is limited to repair or replacement by KisanKraft Limited or its manufacturers of such parts as appear to KisanKraft or its manufacturers, upon inspection, to be defective in material and/or workmanship. KisanKraft or its manufacturers make no warranty with respect to items not manufactured or sold by them. No onsite warranty is provided by KisanKraft Limited or its manufacturers. Defective items must be brought/sent to our Authorized Dealer or KisanKraft Limited's office for service.

What is not covered: The *warranty shall become null and void* and neither KisanKraft Limited nor any of its manufacturers, nor its authorized dealers assume any responsibility, if the failure was caused by the following:

- (1) Operation of product with incorrect fuel or lubricants, (2) Incorrect usage of machine or misuse, (3) Lack of maintenance, (4) Negligence, (5) Accident or physical damage, (6) Repairs made by unauthorized parties and/or with unauthorized parts, (7) Improper set up, adjustments, tampering or altered products (8) Any modification to the product what-so-ever.

Important: (1) Normal maintenance and adjustments to the product is the responsibility of the customer. (2) Normal wear and tear are not covered under warranty. (3) Rubber/plastic parts and consumables such as blades, clutch and clutch-bell, sparkplugs, nylon line, air-filters, fuel-filters, oil seals and gaskets etc. are not covered under the warranty. (4) Electrical Motor, Electrical Parts, Battery Etc. are not covered under the warranty.

Incidental / Consequential Loss: KisanKraft Limited or its manufacturers will not be liable for general damages, including bodily injuries, or for incidental or consequential damages including, but not limited to, loss of use, loss of profits, loss of production, expense of substitute equipment or other commercial loss or damage.

Limitation of Liability: This limited warranty is in lieu of all other express warranties, obligations, or liabilities. Any implied warranties, obligations, or liabilities, including, but not limited to, any implied warranty of merchantability shall be limited in duration to the applicable warranty period. Any action for breach of any warranties hereunder, including, but not limited to, any implied warranty of merchantability must be brought within the applicable warranty period.

Modifications of Warranty: No agent, representative, dealer, or employee of KisanKraft Limited or any of its manufacturers has the authority to increase or alter the obligations of this warranty.

Assignment / Transfer of warranty: The warranty cannot be assigned and shall not transfer if the product is resold by the first buyer. The above warranties are extended to the first end user (original purchaser), and no warranty is made, nor authorized to be made assignable on resale by the first end user.

What you must do to obtain limited warranty service: To obtain performance of any obligation under this warranty for failure during the applicable warranty period, you must deliver the defective product, to the nearest Authorized Dealer, along with proof-of-purchase (invoice/receipt). KisanKraft Limited, its manufacturers and its dealers reserve the right to inspect the claimed defective part(s) to determine if the malfunction is the result of a defect covered by this warranty. Please note that the decision of KisanKraft Limited with respect to any warranty claim is final.

After-sales Service (Including Warranty): KisanKraft Limited does not sell directly to consumers. All sales or supplies are made through Authorized Dealers. It is the responsibility of the Authorized Dealer to provide all after-sales service to consumers. Any warranty claim should be raised by dealer to KisanKraft Limited as per warranty policy.

Jurisdiction: All disputes are subject to Bangalore court's jurisdiction.

Notes:

- This purchase is not contingent upon a product demonstration. The purchaser shall satisfy himself with the product, including any product demonstration or verification of any function, before buying. KisanKraft Limited or its authorized dealers, including online sellers, shall not be liable to give any on-site demonstration after purchase of any of the product.
- Any product once used will not be taken back by KisanKraft Limited.
- Warranty and After Sale Services (including but not limited to installation, Demonstration, Repair, Routine Maintenance etc.), should be done through the Authorized Dealer selling this product.
- Dealers should have their own technician to provide After Sales Services to their Customers. KisanKraft Limited provides free training to Authorized Dealer's technicians at KisanKraft Limited's head office, on request from Authorized Dealer.

Product	TEA LEAF HARVESTER	KisanKraft Invoice Date	
Brand	KisanKraft	KisanKraft Invoice No.	
Model	<input type="checkbox"/> KK-TH-4C30A <input type="checkbox"/> KK-TH-4C30B		
WARRANTY PERIOD	6 MONTHS	FOR THE SPECIFIED PERIOD FROM THE DATE OF SALE OR DELIVERY WHICHEVER IS EARLIER.	
Dealer's Invoice Date		Dealer's Invoice No.	
Buyer's Info (Name, Address, Phone, etc.):		Dealer's Stamp (Address, Phone, TIN, etc.):	
Buyer's Sign		Dealer's Sign	

Warranty Policy

What is covered: KisanKraft Limited and its manufacturers warrant this product to be free from defects in material or workmanship. All parts defective in material and workmanship are covered.

This warranty will only cover defects arising under normal usage.

This warranty is limited to repair or replacement by KisanKraft Limited or its manufacturers of such parts as appear to KisanKraft or its manufacturers, upon inspection, to be defective in material and/or workmanship. KisanKraft or its manufacturers make no warranty with respect to items not manufactured or sold by them. No onsite warranty is provided by KisanKraft Limited or its manufacturers. Defective items must be brought/sent to our Authorized Dealer or KisanKraft Limited's office for service.

What is not covered: The *warranty shall become null and void* and neither KisanKraft Limited nor any of its manufacturers, nor its authorized dealers assume any responsibility, if the failure was caused by the following:

- (1) Operation of product with incorrect fuel or lubricants,
- (2) Incorrect usage of machine or misuse,
- (3) Lack of maintenance,
- (4) Negligence,
- (5) Accident or physical damage,
- (6) Repairs made by unauthorized parties and/or with unauthorized parts,
- (7) Improper set up, adjustments, tampering or altered products
- (8) Any modification to the product what-so-ever.

Important: (1) Normal maintenance and adjustments to the product is the responsibility of the customer. (2) Normal wear and tear are not covered under warranty. (3) Rubber/plastic parts and consumables such as blades, clutch and clutch-bell, sparkplugs, nylon line, air-filters, fuel-filters, oil seals and gaskets etc. are not covered under the warranty. (4) Electrical Motor, Electrical Parts, Battery Etc. are not covered under the warranty.

Incidental / Consequential Loss: KisanKraft Limited or its manufacturers will not be liable for general damages, including bodily injuries, or for incidental or consequential damages including, but not limited to, loss of use, loss of profits, loss of production, expense of substitute equipment or other commercial loss or damage.

Wide Range of Products for Every Need



For more information give **MISSED CALL: 07676065555**



Many of our products have BIS: ISI certification.



User Manual



KisanKraft Limited

Warehouse: 818 3B1 to 818 3B18, Podalukur - Sangam Road, Prabagiripatnam, Podalukur, Nellore - 524345, Andhra Pradesh, INDIA

Head Office: #4, 1st Main, 7-A Cross, Maruthi Layout, Dasarahalli, HAF Post, Hebbal, Bangalore 560024, Karnataka, INDIA

- ◆ Bangalore (HO) ◆ Ahmedabad ◆ Bhopal ◆ Bhubaneswar ◆ Coimbatore
- ◆ Guwahati ◆ Hubli ◆ Hyderabad ◆ Jaipur ◆ Karnal
- ◆ Kolkata ◆ Lucknow ◆ Nellore ◆ Pune ◆ Raipur



Scan the QR code to download
KisanKraft App

App is available on



Scan the QR code for
KisanKraft Youtube Channel



Product	TEA LEAF HARVESTER	KisanKraft Invoice Date	
Brand	KisanKraft	KisanKraft Invoice No.	
Model	☐ KK-TH-4C30A ☐ KK-TH-4C30B		
WARRANTY PERIOD	6 MONTHS	FOR THE SPECIFIED PERIOD FROM THE DATE OF SALE OR DELIVERY WHICHEVER IS EARLIER.	
Dealer's Invoice Date		Dealer's Invoice No.	
Buyer's Info (Name, Address, Phone, etc.):		Dealer's Stamp (Address, Phone, TIN, etc.):	
Buyer's Sign		Dealer's Sign	

Warranty Policy

What is covered: KisanKraft Limited and its manufacturers warrant this product to be free from defects in material or workmanship. All parts defective in material and workmanship are covered.

This warranty will only cover defects arising under normal usage.

This warranty is limited to repair or replacement by KisanKraft Limited or its manufacturers of such parts as appear to KisanKraft or its manufacturers, upon inspection, to be defective in material and/or workmanship. KisanKraft or its manufacturers make no warranty with respect to items not manufactured or sold by them. No onsite warranty is provided by KisanKraft Limited or its manufacturers. Defective items must be brought/sent to our Authorized Dealer or KisanKraft Limited's office for service.

What is not covered: The warranty shall become null and void and neither KisanKraft Limited nor any of its manufacturers, nor its authorized dealers assume any responsibility, if the failure was caused by the following:

(1) Operation of product with incorrect fuel or lubricants, (2) Incorrect usage of machine or misuse, (3) Lack of maintenance, (4) Negligence, (5) Accident or physical damage, (6) Repairs made by unauthorized parties and/or with unauthorized parts, (7) Improper set up, adjustments, tampering or altered products (8) Any modification to the product what-so-ever.

Important: (1) Normal maintenance and adjustments to the product is the responsibility of the customer. (2) Normal wear and tear are not covered under warranty. (3) Rubber/plastic parts and consumables such as blades, clutch and clutch-bell, sparkplugs, nylon line, air-filters, fuel-filters, oil seals and gaskets etc. are not covered under the warranty. (4) Electrical Motor, Electrical Parts, Battery Etc. are not covered under the warranty.

Incidental / Consequential Loss: KisanKraft Limited or its manufacturers will not be liable for general damages, including bodily injuries, or for incidental or consequential damages including, but not limited to, loss of use, loss of profits, loss of production, expense of substitute equipment or other commercial loss or damage.

KisanKraft has a large range of products to serve the farmers. A list of our products is given below:

<p>Brush Cutters and Accessories</p> <ul style="list-style-type: none"> Brush Cutter/Power Weeder Backpack Brush Cutter Tea Pruner Pole pruner with Engine Reaper Attachment Blades-Circular Blades (2 & 3 points) Baffle Nylon Rope Tap & Go <p>Chainsaws</p> <ul style="list-style-type: none"> Petrol Chainsaw Electric Chainsaw Chain Sharpening Machine <p>Engines and Water Pumps</p> <ul style="list-style-type: none"> Engine –Diesel-(Horizontal) Engine –Diesel(Vertical) Engine-Kerosene Water Pump with Petrol Engine Water Pump with Kerosene Engine Water Pump with Diesel Engine <p>Hand Tools</p> <ul style="list-style-type: none"> Secateurs Folding Saw Garden Rake Garden Shovel Hedge Shear Lopper Telescopic Hedge Shear Telescopic Lopping Shear Tree Pruner Telescopic Steel Pipe & Fruit Picker Bag Sheep Shear <p>Garden Tools</p> <ul style="list-style-type: none"> Electric Pressure Washer Hedge Trimmer Lawn Mower (Electric, Petrol & Manual) Leaf Blower 	<p>Cultivators and Accessories</p> <ul style="list-style-type: none"> Petrol and Diesel <p>Sprayers and Accessories</p> <ul style="list-style-type: none"> Battery Sprayer Portable Power Sprayer Trolley Sprayer Manual Knapsack Sprayer Manual Pressure Sprayer Rose Cans Hose Crimping Machine HTP Sprayer HTP Delivery Hose HTP Hose Reel HTP Stand HTP Gun / Lance(Brass Rod) Knapsack Power Sprayer Mister / Duster / Granuel Spreader HTP Sprayer Set with Diesel Engine HTP Sprayer Set with Kerosene Engine Fogging Machine <p>Milking Machine</p> <ul style="list-style-type: none"> Wood Shredder Fodder Ensiling Chaff Cutter Fodder Grinder Chaff Cutter Fodder Mini Chaff Cutter <p>Harvester</p> <ul style="list-style-type: none"> Maize Sheller Maize Sheller + Dehusker Maize Combine Harvester Onion Digger Carlotti Italy Tea Leaf Harvester Sugarcane Combine Harvester Sugarcane Leaf Stripper <p>Transplanter and Post Hole Digger</p> <ul style="list-style-type: none"> Paddy Transplanter (2 & 8 Rows) Transplanter-Vegetable & Tobacco Post Hole Digger(4" to 14" Augers)
--	---

Parts Name	Qty.
Lower friction plate	1
608 bearing	2
5# nut	4
5# gasket	4
Bush	4
5*8*1 Gasket	4
5*18 blade screw	4
3*12 self-tapping screw	12
5*20 Screw	2
4*14 self-tapping screw	

Limitation of Liability: This limited warranty is in lieu of all other express warranties, obligations, or liabilities. Any implied warranties, obligations, or liabilities, including, but not limited to, any implied warranty of merchantability shall be limited in duration to the applicable warranty period. Any action for breach of any warranties hereunder, including, but not limited to, any implied warranty of merchantability must be brought within the applicable warranty period.

Modifications of Warranty: No agent, representative, dealer, or employee of KisanKraft Limited or any of its manufacturers has the authority to increase or alter the obligations of this warranty.

Assignment / Transfer of warranty: The warranty cannot be assigned and shall not transfer if the product is resold by the first buyer. The above warranties are extended to the first end user (original purchaser), and no warranty is made, nor authorized to be made assignable on resale by the first end user.

What you must do to obtain limited warranty service: To obtain performance of any obligation under this warranty for failure during the applicable warranty period, you must deliver the defective product, to the nearest Authorized Dealer, along with proof-of-purchase (invoice/receipt). KisanKraft Limited, its manufacturers and its dealers reserve the right to inspect the claimed defective part(s) to determine if the malfunction is the result of a defect covered by this warranty. Please note that the decision of KisanKraft Limited with respect to any warranty claim is final.

After-sales Service (Including Warranty): KisanKraft Limited does not sell directly to consumers. All sales or supplies are made through Authorized Dealers. It is the responsibility of the Authorized Dealer to provide all after-sales service to consumers. Any warranty claim should be raised by dealer to KisanKraft Limited as per warranty policy.

Jurisdiction: All disputes are subject to Bangalore court's jurisdiction.

Notes:

- This purchase is not contingent upon a product demonstration. The purchaser shall satisfy himself with the product, including any product demonstration or verification of any function, before buying. KisanKraft Limited or its authorized dealers, including online sellers, shall not be liable to give any on-site demonstration after purchase of any of the product.
- Any product once used will not be taken back by KisanKraft Limited.
- Warranty and After Sale Services (including but not limited to installation, Demonstration, Repair, Routine Maintenance etc.), should be done through the Authorized Dealer selling this product.
- Dealers should have their own technician to provide After Sales Services to their Customers. KisanKraft Limited provides free training to Authorized Dealer's technicians at KisanKraft Limited's head office, on request from Authorized Dealer.

CONTENTS

BEFORE GETTING STARTED 7

SAFETY INSTRUCTION..... 7

BEFORE OPERATION CHECK 8

TROUBLESHOOTING 8

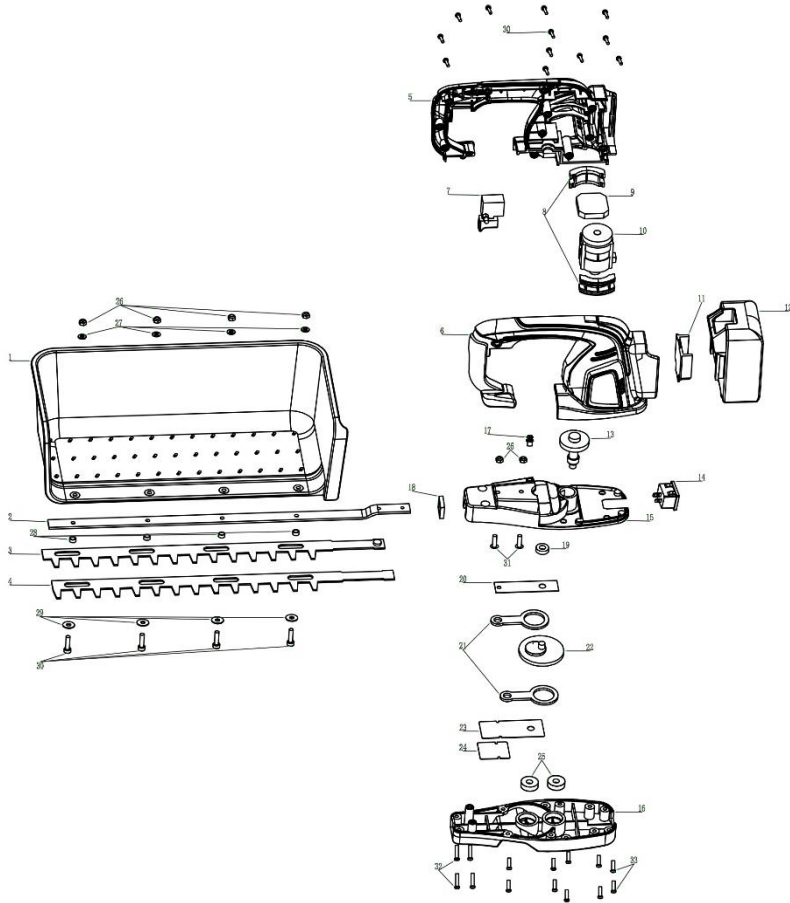
OPERATIONS..... 9

MAINTENANCE AND ADJUSTMENT..... 10

TECHNICAL SPECIFICATIONS 13

Parts Name	Qty.
Bucket Tray	1
Blade pressing bar	1
Upper blade	1
Lower blade	1
Handle left (left).	1
Handle right	1
Switch On/off switch	1
Motor pressing plate	2
Controller	1
Motor	1
Battery socket	1
21V5AH Battery Battery	1
Bevel gear	1
Power sockets	1
Gearbox (upper cover)	1
Gearbox (lower cover)	1
Grease nipple	1
Wool felt	1
606 bearing	2
Blade pressing bar washer	1
Connecting rod	2
Big Gear	1
Upper friction plate	1

PART DIAGRAM -KK-TH-4C30A



BEFORE GETTING STARTED

INTRODUCTION

Thank you for your purchase and use of our products. In order to avoid accidents or injury, **please read this manual carefully** before using the machine. After reading, preserve it for further reference. This manual is a part of the gasoline engine and should be transferred when the machine is resold.

APPLICATION:

This battery tea harvester has the advantages of light weight, low noise, energy saving and environment protection, simple operation and convenient use. It improves the working efficiency 5-10 times more than manual picking, which can bring you better economic benefits!

SAFETY INSTRUCTION

Please read the user's manual carefully before *using* the battery tea harvester. This manual contains the information on how to maintenance and how to check and solve the troubles of the machine. if a problem should arise. or if you have any questions about your battery tea harvester, please consult your dealers.

It is very important to know and understand following safety symbols *and* warnings before using the battery tea harvester help make you aware of potential hazards.

SAFETY SYMBOLS AND WARNINGS



WARNING/DANGER



HOT/DO NOT TOUCH IT



READ OPERATOR'S AND SAFETY MANUALS



IF THE CABLE IS DAMAGED OR CUT OFF, PLS REMOVE THE PLUG FROM THE TOOL IMMEDIATELY

NOTE: the battery tea harvester blades are very sharp and can cause severe injuries, even if power is off and blades are not

BEFORE OPERATION CHECK

1. For your safety and to maximize the service life of your equipment, it is very important to take a few moments before you operate the battery tea harvester to check its condition. Be sure to take care of any patterns you find, or have your servicing dealer check before you operate the battery tea harvester.
2. Before beginning your pre-operation checks, be sure the blade is stopped and a motor switch is in the OFF position.
3. Do not approach the fire or clean the machine with water to avoid short circuit.
4. Always check the following items before you start the battery tea harvester.

TROUBLESHOOTING

Checking	Possible Cause	Correction
Appearance	Damage, loose, wearing	Repair, replace
Fasteners	Shedding, loose	Fastening
Gear box	Without lubricating oil	Lubricated the oil
Blade	If the blade tooth become round, split deform	Replace blade
	Not sharp	Sharpening blade
	Without Lubricating oil	Oil injection
Blade adjusting nut	Blade clearance adjustment is not good	Adjustment
Handlebar	Whether handlebar is fixed well	Adjustment
	Whether handlebar is fixed well	
Battery	Without or with power	conned adjustment
Wire connections	Loose	Maintenance
Switch	Good or not	Repair, replace

TECHNICAL SPECIFICATIONS

Model	KK-TH-4C30A	KK-TH-4C30B
Type	Single man mini tea harvester	
Blade type	Horizontal	
Battery	Lithium battery	
Drive type	Gear driving	
Battery rated voltage	21 V ~24V	DC 24V
Battery rated current	5AH/8AH/20AH	12Ah
Battery rated power	300 W	300 W Brushless Motor)
Plucking width	300mm / 350mm	
Rated speed of DC motor	2000/min	

NOTE:

This product is small in size large in power. and it adopts the current relatively advanced truthless motor demon mode.

It has under voltage. over current and over temperature protection.

1. Undervoltage protection means that the battery is not charged in time or when the battery voltage drops to a certain degree, the machine will not start.
2. Overcurrent protection is an overload protection, overload of using the machine will lead to the current rise high when it reaches to a certain extent , it will automatically protect to prevent burning the motor.
3. Overtemperature protection long time using of the machine wit make the electronic components hot. the controller will issue instructions for protection. The machine will return to normal after the electronic components cool down.
4. Power on protection function. in the case of switch locked, the machine will not start when connect the battery The machine can only be started after restart. which can effectively prevent the unexpected situation

OPERATIONS

1.ALWAYS maintain a minimum safety zone of 45 feet (15 meters) from where you are working

Don't allow others to enter the safety zone unless you have *shut* the tea harvester Off, and the blades have completely stopped moving also pay attention to the animals around you

2. Plug the dc tea plucking machine cable into the battery socket

3 Turn on/off switch turn on the switch button on the handle. the tea plucking machine starts working. turn off the switch button, and the machine will be turned off.

Before staling the machine. please check if at accessories used have been entailed properly before the start of the operation. It is determined that the blade does not touch any object. such as brandies. stones. etc. If any problems. please turn off the switch immediately and pull the cable plug.

When operating. be careful not to touch lubricant. resin, grease. to ensure a stable and balanced footing.

MATTERS NEEDING ATTENTION

1. The blades must be kept sharp at all times to achieve good work efficacy. The gap between the cutter and blade should not be too large. but it should not be too small It is difficult to cut leaves on if it has too large clearance If with too small gap. the machine does not work.*
2. Only use the machine when the tight is sufficient and the vision is clear Please pay attention to whether the ground is wet and slippery. and if there is ice (there is danger slipping down).You must have a safe foothold do not stand in a semi sold unstable place to work and pay attention to balance at all times.
3. Keep all parts of the body away from the cutting blade Do not remove cutting materials (leaves) or hold them while the blade is moving. Make sure the switch is off when removing the clog Mouse may result in serious or fatal ',runes
4. .ALWAYS hold the unit securely with both hands after it starts to ensure it is within the control range.
5. If the cable is damaged or cut. unplug it immediately

6. If come across a stone or hard object in using, please turn off the machine immediately and check if the tool damaged, please repair or replace the damaged blade before using it am
7. Take regular rest breaks You should normally rest for 10.20 minutes after working very 30 minutes

If there are any problems in use. the power switch must *be* switched off immediately

MAINTENANCE AND ADJUSTMENT

Blade adjustment

The blades can be used for a long time When you check that blade is not as good as fore. please adjust the blades as follow steps.

Adjustment steps:

- 1) Loosen the nuts on the blade.
- 2) Use the screwdriver to screw the bolt until it is stationary. and then twist back about 1/4,
- 3) Fix the screw with a screwdriver and tighten the nut
- 4) After adjusting the above steps. lubricated the oil.
- 5) Please turn off the power after the machine runs for 3 minutes. touch the bolt with your hands. if it is still hot, please octant it again. if it is too hot. please put it aside. cool it down and repeat the previous MOP

The blade bolt is easy to wear and tear Please consider replacing the blade when the blade noise increases, to extend the service life of the machine

PLEASE STICK THE ABOVE WARNING AND SAFETY SYMBOLS ON EYE.CATCHING PLACE 0 THE MACHINE.

1. Please read the user's manuals carefully and accept safety instructions and using training before using the machine. following the rules for safe operation. Failure to do could result in serious or fatal injury.
2. Keep out of reach of following people.
 - 1) Drunken people
 - 2) Psychopath
 - 3) Children, old and infirm person

- 4) People who are unable to operate the machine normally due to excessive fatigue illness. Etc.

3. Personal protective equipment.

- 1) Wear protective clothing and shoes Loose clothing dangling accessories, or open footwear increases risk of serious injury
- 2) Wear slip-resistant footwear to reduce risk of falls.
- 3) Wear a hat with a brim and protective goggles when using the machine.
- 4) Wear gloves when inspection and maintenance of the machines

4. Do not touch the blade.

- 1) Touch the blades can result in serious cuts and amputation. don't touch the blades when the machine is working
- 2) When lubricating al is added to the transmission parts, the switch should be turned off to ensure that the machine stops running
- 3) NEVER add the Oct to blades when the machine is running

5. WARNING:

- 1) Misuse may result in serious or fatal injuries, in addition to the operator pay attention to the protection, please keep bystanders at least 15m (50 feet) away when operating the machine to avoid hurts
- 2) If batteries are damaged. it is not allowed to be discarded at It will be recycled by regular ways to prevent environmental pollution
- 3) Idling machine is prohibited

Note: The battery tea harvester blades are very sharp and can cause severe injuries, even if power is off and blades are not moving. Avoid touching Bade. ;tease wear gloves to protect hands Place blade cover on blades and add oil when transporting or storing unit. Battery storage period recharge once every 3 months if not use.

Reverse connection of positive and negative terminals is strictly prohibited.