



# Warranty Certificate

(KISANKRAFT COPY)

**Limitation of Liability:** This limited warranty is in lieu of all other express warranties, obligations, or liabilities. Any implied warranties, obligations, or liabilities, including, but not limited to, any implied warranty of merchantability shall be limited in duration to the applicable warranty period. Any action for breach of any warranties hereunder, including, but not limited to, any implied warranty of merchantability must be brought within the applicable warranty period.

**Modifications of Warranty:** No agent, representative, dealer, or employee of KisanKraft Limited or any of its manufacturers has the authority to increase or alter the obligations of this warranty.

**Assignment / Transfer of warranty:** The warranty cannot be assigned and shall not transfer if the product is resold by the first buyer. The above warranties are extended to the first end user (original purchaser), and no warranty is made, nor authorized to be made assignable on resale by the first end user.

**What you must do to obtain limited warranty service:** To obtain performance of any obligation under this warranty for failure during the applicable warranty period, you must deliver the defective product, to the nearest Authorized Dealer, along with proof-of-purchase (invoice/receipt). KisanKraft Limited, its manufacturers and its dealers reserve the right to inspect the claimed defective part(s) to determine if the malfunction is the result of a defect covered by this warranty. Please note that the decision of KisanKraft Limited with respect to any warranty claim is final.

**After-sales Service (Including Warranty):** KisanKraft Limited does not sell directly to consumers. All sales or supplies are made through Authorized Dealers. It is the responsibility of the Authorized Dealer to provide all after-sales service to consumers. Any warranty claim should be raised by dealer to KisanKraft Limited as per warranty policy.

**Jurisdiction:** All disputes are subject to Bangalore court's jurisdiction.

**Notes:**

- This purchase is not contingent upon a product demonstration. The purchaser shall satisfy himself with the product, including any product demonstration or verification of any function, before buying. KisanKraft Limited or its authorized dealers, including online sellers, shall not be liable to give any on-site demonstration after purchase of any of the product.
- Any product once used will not be taken back by KisanKraft Limited.
- Warranty and After Sale Services (including but not limited to installation, Demonstration, Repair, Routine Maintenance etc.), should be done through the Authorized Dealer selling this product.
- Dealers should have their own technician to provide After Sales Services to their Customers. KisanKraft Limited provides free training to Authorized Dealer's technicians at KisanKraft Limited's head office, on request from Authorized Dealer.

**This warranty is null & void, if you fail to register the warranty with KisanKraft by sending the KisanKraft Copy with dealer's stamp.**

**KisanKraft Limited**

🌐: [www.kisankraft.com](http://www.kisankraft.com)

✉: [info@kisankraft.com](mailto:info@kisankraft.com)

☎: +91.80.6835 7800



# Warranty Certificate

(DEALER COPY)

Product	<b>Wood Chipper</b>	KisanKraft Invoice Date	
Brand	<b>KisanKraft</b>	KisanKraft Invoice No.	
Model	<b>KK-WCS-305</b>		
<b>WARRANTY PERIOD</b>	<b>6-MONTHS</b>	FOR THE SPECIFIED PERIOD FROM THE DATE OF SALE OR DELIVERY WHICHEVER IS EARLIER.	
Dealer's Invoice Date		Dealer's Invoice No.	
Buyer's Info (Name, Address, Phone, etc.):		Dealer's Stamp (Address, Phone, TIN, etc.):	
Buyer's Sign		Dealer's Sign	

## Warranty Policy

**What is covered:** KisanKraft Limited and its manufacturers warrant this product to be free from defects in material or workmanship. All parts defective in material and workmanship are covered. This warranty will only cover defects arising under normal usage.

This warranty is limited to repair or replacement by KisanKraft Limited or its manufacturers of such parts as appear to KisanKraft or its manufacturers, upon inspection, to be defective in material and/or workmanship. KisanKraft or its manufacturers make no warranty with respect to items not manufactured or sold by them. No onsite warranty is provided by KisanKraft Limited or its manufacturers. Defective items must be brought/sent to our Authorized Dealer or KisanKraft Limited's office for service.

**What is not covered:** The *warranty shall become null and void* and neither KisanKraft Limited nor any of its manufacturers, nor its authorized dealers assumes any responsibility, if the failure was caused by the following:

- (1) Operation of product with incorrect fuel or lubricants, (2) Incorrect usage of machine or misuse, (3) Lack of maintenance, (4) Negligence, (5) Accident or physical damage, (6) Repairs made by unauthorized parties and/or with unauthorized parts, (7) Improper set up, adjustments, tampering or altered products (8) Any modification to the product what-so-ever.

**Important:** (1) Normal maintenance and adjustments to the product is the responsibility of the customer. (2) Normal wear and tear are not covered under warranty. (3) Rubber/plastic parts and consumables such as blades, clutch and clutch-bell, sparkplugs, nylon line, air-filters, fuel-filters, oil seals and gaskets etc. are not covered under the warranty. (4) Electrical Motor, Electrical Parts, Battery Etc. are not covered under the warranty.

**Incidental / Consequential Loss:** KisanKraft Limited or its manufacturers will not be liable for general damages, including bodily injuries, or for incidental or consequential damages including,

**This warranty is null & void, if you fail to register the warranty with KisanKraft by sending the KisanKraft Copy with dealer's stamp.**

**KisanKraft Limited** (formerly known as KisanKraft Machine Tools P Ltd)

🌐: [www.kisankraft.com](http://www.kisankraft.com)

✉: [info@kisankraft.com](mailto:info@kisankraft.com)

☎: +91.80.6835 7800

but not limited to, loss of use, loss of profits, loss of production, expense of substitute equipment or other commercial loss or damage.

**Limitation of Liability:** This limited warranty is in lieu of all other express warranties, obligations, or liabilities. Any implied warranties, obligations or liabilities, including, but not limited to, any implied warranty of merchantability shall be limited in duration to the applicable warranty period. Any action for breach of any warranties hereunder, including, but not limited to, any implied warranty of merchantability must be brought within the applicable warranty period.

**Modifications of Warranty:** No agent, representative, dealer, or employee of KisanKraft Limited or any of its manufacturers has the authority to increase or alter the obligations of this warranty.

**Assignment / Transfer of warranty:** The warranty cannot be assigned and shall not transfer if the product is resold by the first buyer. The above warranties are extended to the first end user (original purchaser), and no warranty is made, nor authorized to be made assignable on resale by the first end user.

**What you must do to obtain limited warranty service:** To obtain performance of any obligation under this warranty for failure during the applicable warranty period, you must deliver the defective product, to the nearest Authorized Dealer, along with proof-of-purchase (invoice/receipt). KisanKraft Limited, its manufacturers and its dealers reserve the right to inspect the claimed defective part(s) to determine if the malfunction is the result of a defect covered by this warranty. Please note that the decision of KisanKraft Limited with respect to any warranty claim is final.

**After-sales Service (Including Warranty):** KisanKraft Limited does not sell directly to consumers. All sales or supplies are made through Authorized Dealers. It is the responsibility of the Authorized Dealer to provide all after-sales service to consumers. Any warranty claim should be raised by dealer to KisanKraft Limited as per warranty policy.

**Jurisdiction:** All disputes are subject to Bangalore court's jurisdiction.

**Notes:**

- This purchase is not contingent upon a product demonstration. The purchaser shall satisfy himself with the product, including any product demonstration or verification of any function, before buying. KisanKraft Limited or its authorized dealers, including online sellers, shall not be liable to give any on-site demonstration after purchase of any of the product.
- Any product once used will not be taken back by KisanKraft Limited.
- Warranty and After Sale Services (including but not limited to installation, Demonstration, Repair, Routine Maintenance etc.), should be done through the Authorized Dealer selling this product.
- Dealers should have their own technician to provide After Sales Services to their Customers. KisanKraft Limited provides free training to Authorized Dealer's technicians at KisanKraft Limited's head office, on request from Authorized Dealer.

**This warranty is null & void, if you fail to register the warranty with KisanKraft by sending the KisanKraft Copy with dealer's stamp.**

**KisanKraft Machine Tools Private Limited**

🌐: [www.kisankraft.com](http://www.kisankraft.com)

✉: [info@kisankraft.com](mailto:info@kisankraft.com)

☎: +91.80.6835 7800

Product	<b>Wood Chipper</b>	KisanKraft Invoice Date	
Brand	<b>KisanKraft</b>	KisanKraft Invoice No.	
Model	<b>KK-WCS-305</b>		
<b>WARRANTY PERIOD</b>	<b>6-MONTHS</b>	FOR THE SPECIFIED PERIOD FROM THE DATE OF SALE OR DELIVERY WHICHEVER IS EARLIER.	
Dealer's Invoice Date		Dealer's Invoice No.	
Buyer's Info (Name, Address, Phone, etc.):		Dealer's Stamp (Address, Phone, TIN, etc.):	
Buyer's Sign		Dealer's Sign	

## Warranty Policy

**What is covered:** KisanKraft Limited and its manufacturers warrant this product to be free from defects in material or workmanship. All parts defective in material and workmanship are covered. This warranty will only cover defects arising under normal usage.

This warranty is limited to repair or replacement by KisanKraft Limited or its manufacturers of such parts as appear to KisanKraft or its manufacturers, upon inspection, to be defective in material and/or workmanship. KisanKraft or its manufacturers make no warranty with respect to items not manufactured or sold by them. No onsite warranty is provided by KisanKraft Limited or its manufacturers. Defective items must be brought/sent to our Authorized Dealer or KisanKraft Limited's office for service.

**What is not covered:** The *warranty shall become null and void* and neither KisanKraft Limited nor any of its manufacturers, nor its authorized dealers assume any responsibility, if the failure was caused by the following:

- (1) Operation of product with incorrect fuel or lubricants,
- (2) Incorrect usage of machine or misuse,
- (3) Lack of maintenance,
- (4) Negligence,
- (5) Accident or physical damage,
- (6) Repairs made by unauthorized parties and/or with unauthorized parts,
- (7) Improper set up, adjustments, tampering or altered products
- (8) Any modification to the product what-so-ever.

**Important:** (1) Normal maintenance and adjustments to the product is the responsibility of the customer. (2) Normal wear and tear are not covered under warranty. (3) Rubber/plastic parts and consumables such as blades, clutch and clutch-bell, sparkplugs, nylon line, air-filters, fuel-filters, oil seals and gaskets etc. are not covered under the warranty. (4) Electrical Motor, Electrical Parts, Battery Etc. are not covered under the warranty.

**Incidental / Consequential Loss:** KisanKraft Limited or its manufacturers will not be liable for general damages, including bodily injuries, or for incidental or consequential damages including, but not limited to, loss of use, loss of profits, loss of production, expense of substitute equipment or other commercial loss or damage.

**This warranty is null & void, if you fail to register the warranty with KisanKraft by sending the KisanKraft Copy with dealer's stamp.**

**KisanKraft Limited**

🌐: [www.kisankraft.com](http://www.kisankraft.com)

✉: [info@kisankraft.com](mailto:info@kisankraft.com)

☎: +91.80.6835 7800

**Wide Range of Products for Every Need**



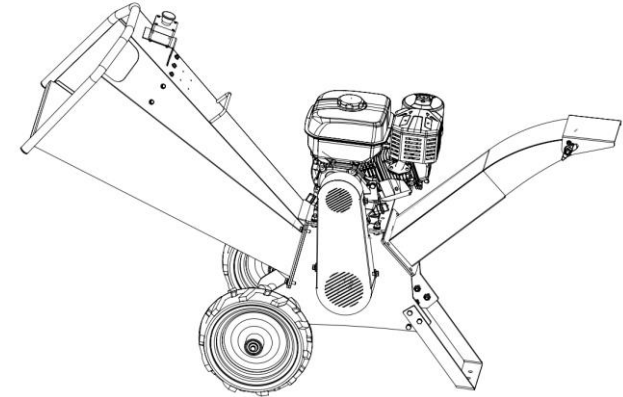
For more information give **MISSED CALL: 07676065555**



Many of our products have BIS: ISI certification.



# Operation Manual.



## ***KisanKraft Limited***

**Warehouse:** 818 3B1 to 818 3B18, Podalukur - Sangam Road, Prabagiripatnam, Podalukur, Nellore - 524345, Andhra Pradesh, INDIA

**Head Office:** #4,1st Main,7-A Cross, Maruthi Layout, Dasarahalli, HAF Post, Hebbal, Bangalore 560024, Karnataka, INDIA

- ◆ Bangalore (HO) ◆ Ahmedabad ◆ Bhopal ◆ Bhubaneswar ◆ Coimbatore
- ◆ Guwahati ◆ Hubli ◆ Hyderabad ◆ Jaipur ◆ Karnal
- ◆ Kolkata ◆ Lucknow ◆ Nellore ◆ Pune ◆ Raipur



Scan the QR code to download  
**KisanKraft App**

App is available on **Google Play**



Scan the QR code for  
**KisanKraft Youtube Channel**

**YouTube**

**CONTENTS**

BEFORE GETTING STARTED ..... 7

SAFETY INSTRUCTIONS ..... 7

OVERVIEW ..... 9

TECHNICAL SPECIFICATIONS ..... 10

INSTALLATION INSTRUCTIONS ..... 11

CIRCUIT DIAGRAM ..... 12

OPERATING INSTRUCTIONS ..... 12

COMMON FAULTS AND TROUBLESHOOTING METHODS..... 17

TROUBLESHOOTING..... 18

ADJUSTMENT METHODS AND DATA..... 19

TRANSPORT AND STORAGE. .... 19

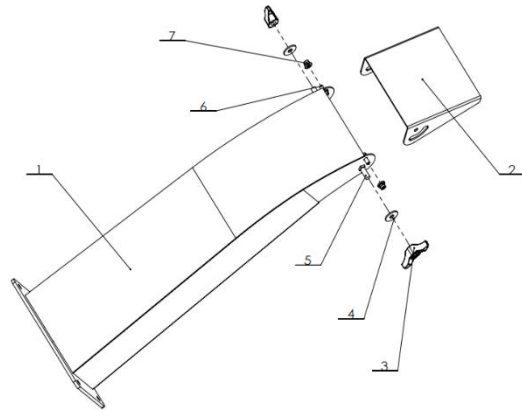
PART LIST ..... 20

KisanKraft has a large range of products to serve the farmers. A list of our products is given below:

<p><b>Brush Cutters and Accessories</b></p> <ul style="list-style-type: none"> <li>Brush Cutter/Power Weeder</li> <li>Backpack Brush Cutter</li> <li>Tea Pruner</li> <li>Pole pruner with Engine</li> <li>Reaper Attachment</li> <li>Blades-Circular</li> <li>Blades (2 &amp;3 points)</li> <li>Baffle</li> <li>Nylon Rope</li> <li>Tap &amp; Go</li> </ul> <p><b>Chainsaws</b></p> <ul style="list-style-type: none"> <li>Petrol Chainsaw</li> <li>Electric Chainsaw</li> <li>Chain Sharpening Machine</li> </ul> <p><b>Engines and Water Pumps</b></p> <ul style="list-style-type: none"> <li>Engine –Diesel-(Horizontal)</li> <li>Engine –Diesel(Vertical)</li> <li>Engine-Kerosene</li> <li>Water Pump with Petrol Engine</li> <li>Water Pump with Kerosene Engine</li> <li>Water Pump with Diesel Engine</li> </ul> <p><b>Hand Tools</b></p> <ul style="list-style-type: none"> <li>Secateurs</li> <li>Folding Saw</li> <li>Garden Rake</li> <li>Garden Shovel</li> <li>Hedge Shear</li> <li>Lopper</li> <li>Telescopic Hedge Shear</li> <li>Telescopic Lopping Shear</li> <li>Tree Pruner</li> <li>Telescopic Steel Pipe &amp; Fruit Picker Bag</li> <li>Sheep Shear</li> </ul> <p><b>Garden Tools</b></p> <ul style="list-style-type: none"> <li>Electric Pressure Washer</li> <li>Hedge Trimmer</li> <li>Lawn Mower (Electric, Petrol &amp; Manual)</li> <li>Leaf Blower</li> </ul>	<p><b>Cultivators and Accessories</b></p> <ul style="list-style-type: none"> <li>Petrol and Diesel</li> </ul> <p><b>Sprayers and Accessories</b></p> <ul style="list-style-type: none"> <li>Battery Sprayer</li> <li>Portable Power Sprayer</li> <li>Trolley Sprayer</li> <li>Manual Knapsack Sprayer</li> <li>Manual Pressure Sprayer</li> <li>Rose Cans</li> <li>Hose Crimping Machine</li> <li>HTP Sprayer</li> <li>HTP Delivery Hose</li> <li>HTP Hose Reel</li> <li>HTP Stand</li> <li>HTP Gun / Lance(Brass Rod)</li> <li>Knapsack Power Sprayer</li> <li>Mister / Duster / Granuel Spreader</li> <li>HTP Sprayer Set with Diesel Engine</li> <li>HTP Sprayer Set with Kerosene Engine</li> <li>Fogging Machine</li> </ul> <p><b>Milking Machine</b></p> <ul style="list-style-type: none"> <li>Wood Shredder</li> <li>Fodder Ensiling Chaff Cutter</li> <li>Fodder Grinder Chaff Cutter</li> <li>Fodder Mini Chaff Cutter</li> </ul> <p><b>Harvester</b></p> <ul style="list-style-type: none"> <li>Maize Sheller</li> <li>Maize Sheller + Dehusker</li> <li>Maize Combine Harvester</li> <li>Onion Digger Carlotti Italy</li> <li>Tea Leaf Harvester</li> <li>Sugarcane Combine Harvester</li> <li>Sugarcane Leaf Stripper</li> </ul> <p><b>Transplanter and Post Hole Digger</b></p> <ul style="list-style-type: none"> <li>Paddy Transplanter (2 &amp; 8 Rows)</li> <li>Transplanter-Vegetable &amp; Tobacco</li> <li>Post Hole Digger(4" to 14" Augers)</li> </ul>
---	---

10	360660021	Flat washer Class A 8	1
11	360250055	Hexagon head bolt full thread M8x25	2
12	360250095	Hexagon head bolt full thread M8x45	4
13	360980068	Plain flat key Type A 5x5x30	1

**DISCHARGE HOPPER ASSEMBLY**



SL No.	ERP	DESCRIPTION	QTY
1	2456900003-0001	Discharge hopper	1
2	2456700005-0001	Discharge gate baffle	1
3	3008000001-0001	The armrest locks the handle	2
4	360640006	Large gasket Class A 8	2
5	360360005	Small half round head low square neck bolt Class B M8x25	2
6	360250008	Hexagon head bolt with full thread M6x12	2
7	360180012	Type 2 non-metal insert hex flange Face lock nut M6	2

Product	<b>Wood Chipper</b>	KisanKraft Invoice Date	
Brand	<b>KisanKraft</b>	KisanKraft Invoice No.	
Model	<b>KK-WCS-305</b>		
WARRANTY PERIOD	<b>6-MONTHS</b>	FOR THE SPECIFIED PERIOD FROM THE DATE OF SALE OR DELIVERY WHICHEVER IS EARLIER.	
Dealer's Invoice Date		Dealer's Invoice No.	
Buyer's Info (Name, Address, Phone, etc.):		Dealer's Stamp (Address, Phone, TIN, etc.):	
Buyer's Sign		Dealer's Sign	

**Warranty Policy**

**What is covered:** KisanKraft Limited and its manufacturers warrant this product to be free from defects in material or workmanship. All parts defective in material and workmanship are covered.

This warranty will only cover defects arising under normal usage.

This warranty is limited to repair or replacement by KisanKraft Limited or its manufacturers of such parts as appear to KisanKraft or its manufacturers, upon inspection, to be defective in material and/or workmanship. KisanKraft or its manufacturers make no warranty with respect to items not manufactured or sold by them. No onsite warranty is provided by KisanKraft Limited or its manufacturers. Defective items must be brought/sent to our Authorized Dealer or KisanKraft Limited's office for service.

**What is not covered:** The *warranty shall become null and void* and neither KisanKraft Limited nor any of its manufacturers, nor its authorized dealers assumes any responsibility, if the failure was caused by the following:

(1) Operation of product with incorrect fuel or lubricants, (2) Incorrect usage of machine or misuse, (3) Lack of maintenance, (4) Negligence, (5) Accident or physical damage, (6) Repairs made by unauthorized parties and/or with unauthorized parts, (7) Improper set up, adjustments, tampering or altered products (8) Any modification to the product what-so-ever.

**Important:** (1) Normal maintenance and adjustments to the product is the responsibility of the customer. (2) Normal wear and tear are not covered under warranty. (3) Rubber/plastic parts and consumables such as blades, clutch and clutch-bell, sparkplugs, nylon line, air-filters, fuel-filters, oil seals and gaskets etc. are not covered under the warranty. (4) Electrical Motor, Electrical Parts, Battery Etc. are not covered under the warranty.

**Incidental / Consequential Loss:** KisanKraft Limited or its manufacturers will not be liable for general damages, including bodily injuries, or for incidental or consequential damages

including, but not limited to, loss of use, loss of profits, loss of production, expense of substitute equipment or other commercial loss or damage.

**Limitation of Liability:** This limited warranty is in lieu of all other express warranties, obligations, or liabilities. Any implied warranties, obligations or liabilities, including, but not limited to, any implied warranty of merchantability shall be limited in duration to the applicable warranty period. Any action for breach of any warranties hereunder, including, but not limited to, any implied warranty of merchantability must be brought within the applicable warranty period.

**Modifications of Warranty:** No agent, representative, dealer, or employee of KisanKraft Limited or any of its manufacturers has the authority to increase or alter the obligations of this warranty.

**Assignment / Transfer of warranty:** The warranty cannot be assigned and shall not transfer if the product is resold by the first buyer. The above warranties are extended to the first end user (original purchaser), and no warranty is made, nor authorized to be made assignable on resale by the first end user.

**What you must do to obtain limited warranty service:** To obtain performance of any obligation under this warranty for failure during the applicable warranty period, you must deliver the defective product, to the nearest Authorized Dealer, along with proof-of-purchase (invoice/receipt). KisanKraft Limited, its manufacturers and its dealers reserve the right to inspect the claimed defective part(s) to determine if the malfunction is the result of a defect covered by this warranty. Please note that the decision of KisanKraft Limited with respect to any warranty claim is final.

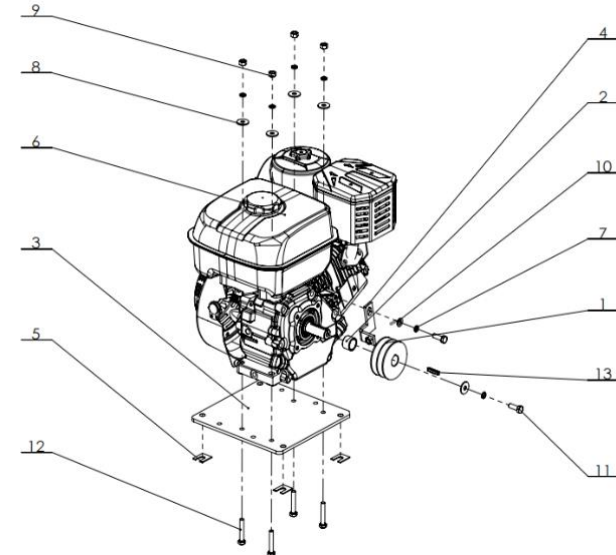
**After-sales Service (Including Warranty):** KisanKraft Limited does not sell directly to consumers. All sales or supplies are made through Authorized Dealers. It is the responsibility of the Authorized Dealer to provide all after-sales service to consumers. Any warranty claim should be raised by dealer to KisanKraft Limited as per warranty policy.

**Jurisdiction:** All disputes are subject to Bangalore court's jurisdiction.

**Notes:**

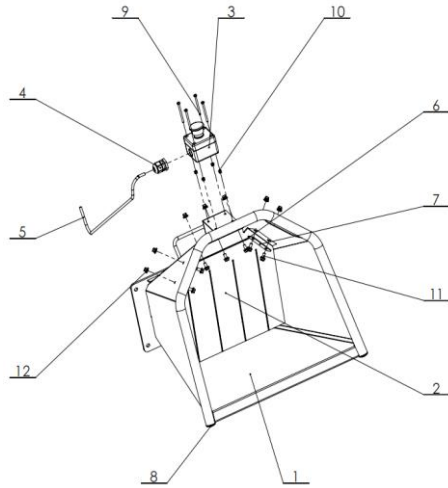
- This purchase is not contingent upon a product demonstration. The purchaser shall satisfy himself with the product, including any product demonstration or verification of any function, before buying. KisanKraft Limited or its authorized dealers, including online sellers, shall not be liable to give any on-site demonstration after purchase of any of the product.
- Any product once used will not be taken back by KisanKraft Limited.
- Warranty and After Sale Services (including but not limited to installation, Demonstration, Repair, Routine Maintenance etc.), should be done through the Authorized Dealer selling this product.
- Dealers should have their own technician to provide After Sales Services to their Customers. KisanKraft Limited provides free training to Authorized Dealer's technicians at KisanKraft Limited's head office, on request from Authorized Dealer.
- 

**ENGINES AND THEIR COMPONENTS**



SL No.	ERP	DESCRIPTION	QTY
1	2106600075-0001	Driving pulley	1
2	3410800215-0001	Bushing 20.2x25x18	1
3	1602900005-0003	Bottom plate	1
4	2401800010-0003	Link block	1
5	2429800002-0001	Adjusting gasket	4
6	T010330426	170F/P-2 agricultural machinery power	1
7	360620011	Standard elastic washer 8	6
8	360640006	Large gasket Class A 8	5
9	360010003	Type 1 hexagon nuts Class A and B M8	4

FEED HOPPER ASSEMBLY





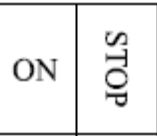
SL No.	ERP	DESCRIPTION	QTY
1	2464600004-0001	Feed hopper	1
2	2416500005-0001	Mud blocking rubber	1
3	2211400003-0001	Scram switch	1
4	2131500007-0001	Waterproof connector PG13.5	1
5	2208400013-0001	Harness assembly	1
6	2415200006-0002	Fender batten (long)	1
7	2415200005-0002	Fender batten (short)	2
8	2433600005-0001	Handrail plug	2
9	360410014	Pan head screw with cross slot M4x55	4
10	360120024	Type 1 non-metal insert hexagon lock Nut M4	4
11	360250011	Hexagon head bolt with full thread M6x20	7
12	360180012	Type 2 non-metal insert hex flange Face lock nut M6	7

BEFORE GETTING STARTED

Thank you for your purchase and use of our product. In order to avoid accidents or injury **please read and understand the instructions given in this manual carefully** before attempting to assemble or operate the machine. After reading, preserve it for further reference.

SAFETY INSTRUCTIONS

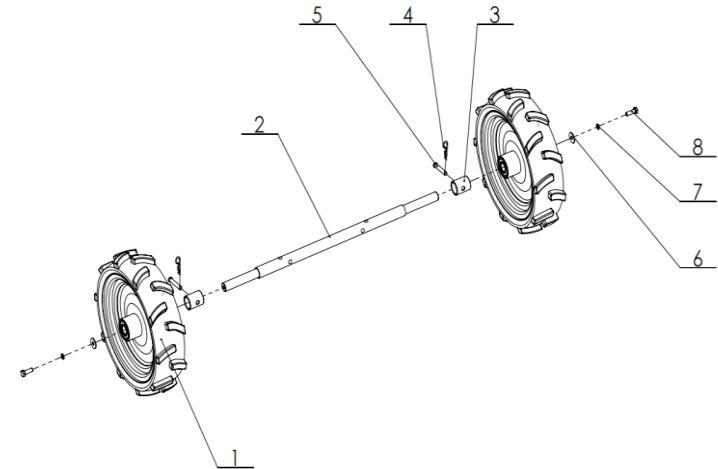
	<p>Read the operation manual</p>
	<p>Danger from rotating blades. Keep your hands and feet out of openings while machine is running</p>
	<p>Keep bystanders away</p>
	<p>Check if any fuel spills or leaks. Stop the engine before refuel.</p>
	<p>Exhaust gas contains poisonous carbon monoxide. Never run the generator in an enclosed area. Be sure to provide adequate ventilation. When installed in ventilated place care should be taken to avoid working downwind of exhaust.</p>
	<p>To adjust the revolution speed of engine :Take the rabbit direction for speeding up and the tortoise direction for slowing down</p>

	<p>The fuel can be controlled</p>
 <p>DON'T PUT YOUR HAND INTO THE MACH</p>	<p>Don't put your hand into the machine</p>
	<p>This label is for engine switch. If you want to start the engine, turn the switch to "ON" position. If the switch is in "STOP" position, the engine stops</p>

**Safety warnings**

- Be extremely cautious with the rotating blades in the machine.
- Never allow hand, foot, or any part of the body enter the hopper or touch the blades.
- Never place hand, foot, or any part of the body close to discharge opening while the machine is in operation.
- Do not peep into hopper or discharge opening while the machine is running.
- Never allow metal objects or something similar enter into the machine.
- Never allow children to operate the machine.
- Never operate your shredder-chipper under the influence of alcohol, drugs or any other medication which may cause drowsiness, lack of concentration, etc.,
- Never assemble or disassemble any parts of the machine during operation.
- Never allow bystanders, children, pets in operation zone. Keep them minimum 15meters away.
- Never run the machine in an enclosed area since exhaust contains poisonous carbon monoxide.
- Never wear loose clothes or long jewellery and keep your long hair under a headgear while operating the machine.
- Never operate the machine on slopes.

**WALKING WHEEL ASSEMBLY**

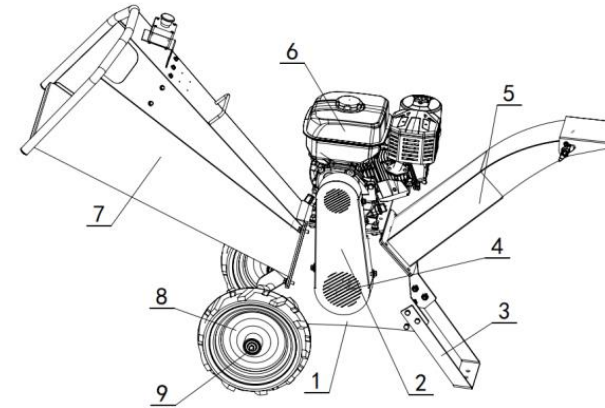


SL No.	ERP	DESCRIPTION	QTY
1	2803200138-0001	Wheel assembly	2
2	2801000040-0002	axletree	1
3	2418400006-0002	retainer	2
4	3402200004-0001	Circlip B	2
5	361020033	Pin shaft 8 x 50	2
6	360640006	Large gasket Class A 8	2
7	360620011	Standard elastic washer 8	2
8	360250055	Hexagon head bolt full thread M8x25	2



SL No.	ERP	ENGLISH	QTY
1	2712100015-0001	Tool barrel	1
2	2717700002-0002	Grinding chamber	1
3	2710700012-0001	Fixed blade	1
4	2109200034-0001	Driven pulley	1
5	2713700009-0001	Cutter blade	2
6	2607500023-0002	Cover plate	1
7	2140900009-0001	Bearing cap	1
8	360250039	Hexagon head bolt full thread M10x30	4
9	360660024	Flat washer Class A 10	10
10	361170004	Bearing with square seat [UCF] UCF206	2
11	360620011	Standard elastic washer 8	10
12	360010003	Type 1 hexagon nuts Class A and B M8	10
13	360660021	Flat washer Class A 8	10
14	360250147	Hexagon head bolt full thread M10x30 12.9	6
15	360250124	Hexagon head bolt M10 x 20	2
16	360640013	Large gasket Class A 10	2
17	360980050	Plain flat key Type A key 8 * 7 * 32	1
18	360590009	Extra large gasket Class C 10	1
19	360620013	Standard elastic washer 10	11
20	360250038	Hexagon head bolt full thread M10x25	5

**OVERVIEW**



This branch machine, safe and efficient, tight structure, smooth operation, the body is all made of high-quality steel, the blade is made of alloy steel, sharp blade mouth and has good toughness and hardness.

It is mainly composed of 1. crushing room, 2. belt cover, support foot, knife roller, 5. outgoing hopper, engine, hopper, tire and wheel shaft. The knife roller is installed in the crushing room, the engine starts, the power output is transmitted to the knife roller through the belt, and the knife roller does high-speed cutting and crushing movement.

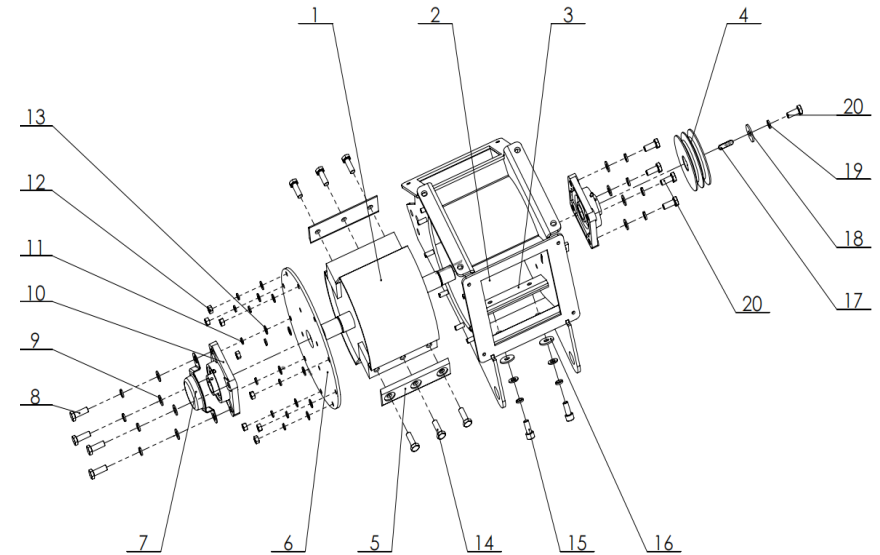
**Tips: 1. The whole machine is qualified for testing / commissioning, the main parts are well assembled, easy for packaging and transportation, some accessories are disassembled and placed in the packaging, and the user can assemble firmly according to the simple drawing.**

**2. During the assembly process, any part of the body touches the blade to avoid accidental injury.**

**TECHNICAL SPECIFICATIONS**

Product model	<b>KK-WCS-305</b>
Crankshaft condition	S-shaft(φ20)
Engine displacement	212cc
Rated power (SAE J 1349) (Kw/3600rpm)	4.4
Starting mode	Recoil
Clump diameter	50mm
Cutter speed	2450rpm
Blade size	155x55x6mm
Blade material	SKD11
Tyre specification	5.00-9
Overall size	1620x660x1120mm
Net weight/Gross weight (Kg)	87.5/105
Package size	855x535x980mm

**CRUSHING CHAMBER AND ITS COMPONENTS**



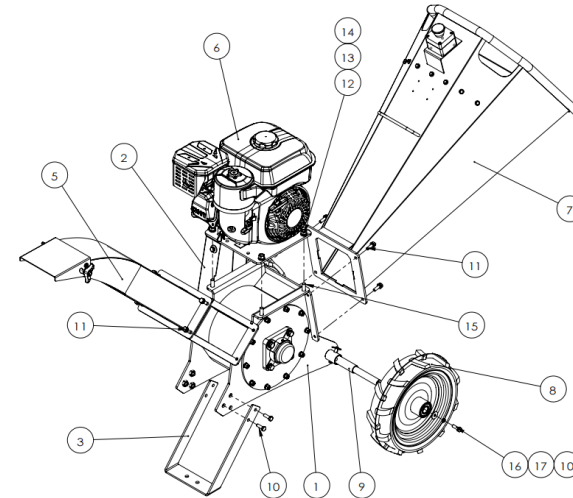
SL No.	ERP	ENGLISH	QTY
2	2601500081-0003	Belt guard	1
4	2123600071-0001	V-belt for agricultural machinery	2
8	2427500005-0002	Supporting leg	1
9	2424900002-0001	cushion	3
10	360250039	Hexagon head bolt full thread M10x30	4
11	360250038	Hexagon head bolt full thread M10x25	4
12	360180012	Type 2 non-metal insert hexagon flange locking nut M6	3
13	360410040	Pan head screws with cruciform slots M6x25	3
14	360250021	Hexagon head bolt full thread M8x16	3
15	360620011	Standard elastic washer 8	3
16	360640006	Large gasket Class A 8	3
17	361250007	Hexagon head bolt, elastic washer, flat washer assembly M8x25	8
18	360660024	Flat washer Class A 10	8
19	360620013	Standard elastic washer 10	8
20	360010008	Type 1 hexagon nuts Class A and Class B M10	4

## INSTALLATION INSTRUCTIONS

### Assembly after unpacking

The main parts of the branch mill have been installed before leaving the factory. Remove the split parts in the packing box before use and fill the machine oil and fuel oil according to the installation diagram. Note: Because some machine parts are relatively heavy, please contact the seller or someone with certain professional knowledge and ability to guide the machine to ensure safety.

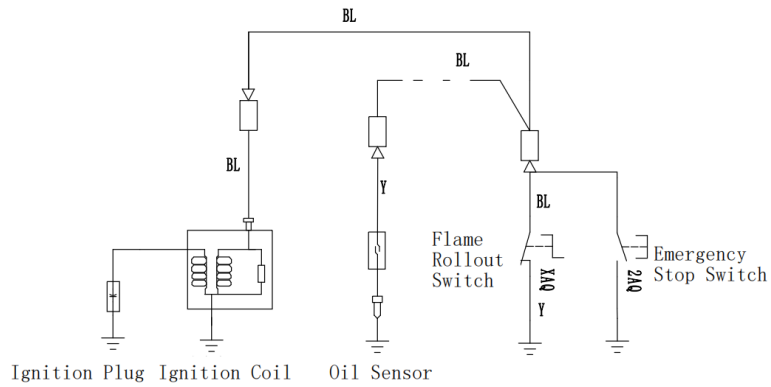
### INSTALLATION STEPS:



- Install the support foot of No.3 on the No.1 crushing room and lock firmly.
- Install the wheel shaft of serial number 9 and the tire of serial number 8 on the crushing room and lock and secure.
- Install the incoming hopper of No.7 and the outgoing hopper of No.5 on the crushing chamber and secure by the bolt cushion assembly of No.11.

**Tip: due to the variety of models, the power configuration, the product is constantly improved, the appearance may be inconsistent with the manual, the specific product shall prevail.**

CIRCUIT DIAGRAM



BL	Black
Y	Yellow

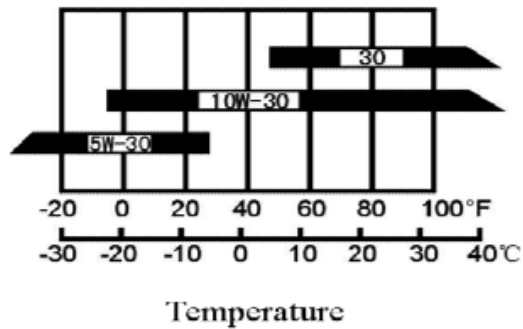
OPERATING INSTRUCTIONS

Before the factory, but users should check and adjust the machine so that the shredder can be better used.

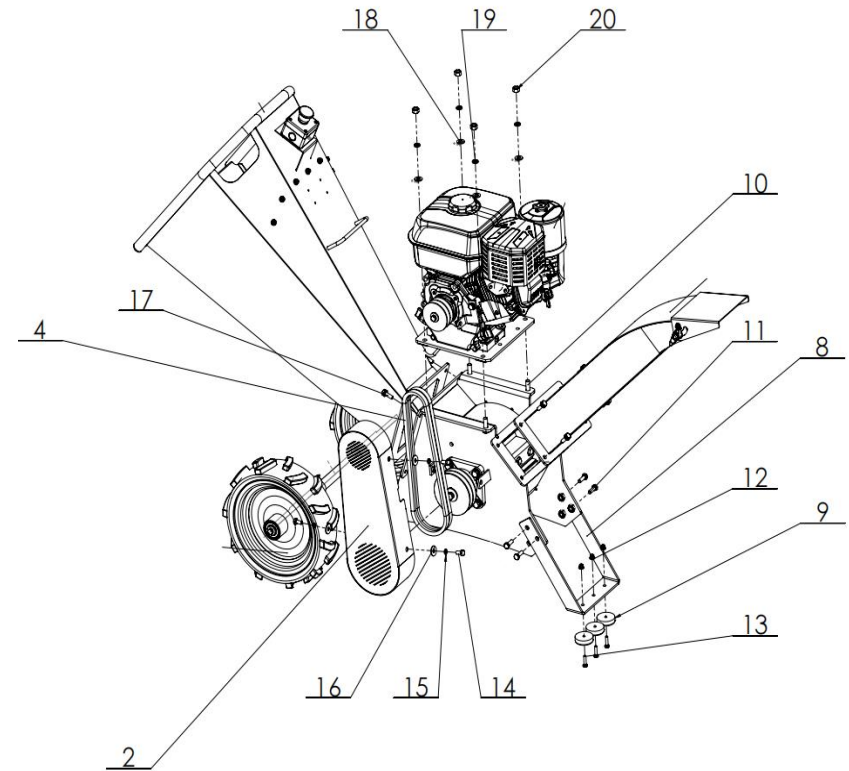
◆ 1. Gasoline machine

Check and refueling

- (1) Check the engine oil.



MACHINE PARTS (STANDARD CONDITION)



PART DIAGRAMS AND PART LIST

Order Number	Name	Quantity	Remarks
1	Main Engine	1	
2	Boot	1	
3	The Hopper	1	
4	Motive Power	1	
5	Supporting Foot	1	
6	Axletree	1	
7	Tire Assembly	2	
8	Standard Parts	1	
9	Driver's Tool	1	
10	Instructions	1	
11	Trailer Rack Assembly	1	Optional Configuration
12	Rotate The Outgoing Hopper Assembly	1	Optional Configuration

Name Of Material	Material Description
Agricultural machinery V belt	Type S305_A type _13 * 870LW
Agricultural machinery V belt	Type S306_B _17 * 950LW
Broken branch machine blade	S305_SKD11
Broken branch machine blade	S306_SKD11
Emergency stop switch	S305_600V / 10A_2 pin _ often open
Block-out spherical ball bearing	Type GB / T7810_UCF206_F type

Engine filling engine oil, 170 engine oil capacity of 0.6L, 177 and 192 engine oil capacity of 1.1L, when the engine oil level is below the normal state, using the engine, will seriously damage the engine. Gasoline engine oil is recommended to use SAE10W-30 lubricating oil, it is suitable for the general ambient temperature, when your area average temperature in the range shown in the chart can use other viscosity of lubricating oil.

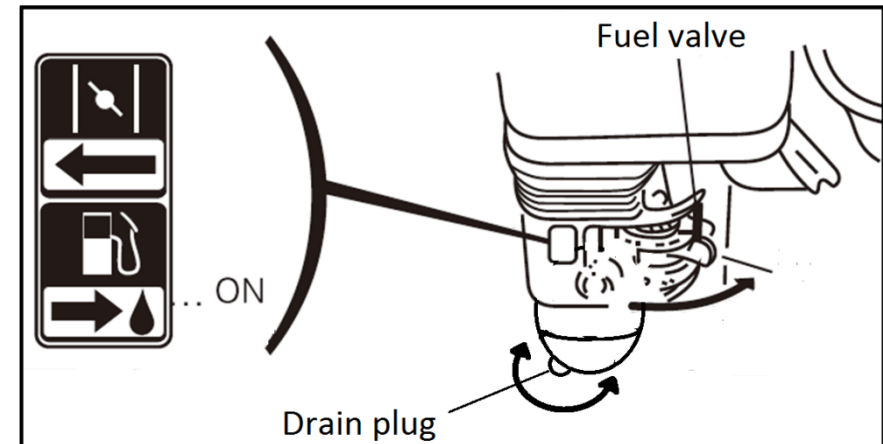
(2) Unleaded gasoline of 92 # or higher is recommended.

(3) Check the air filter to ensure that it is clean and intact.

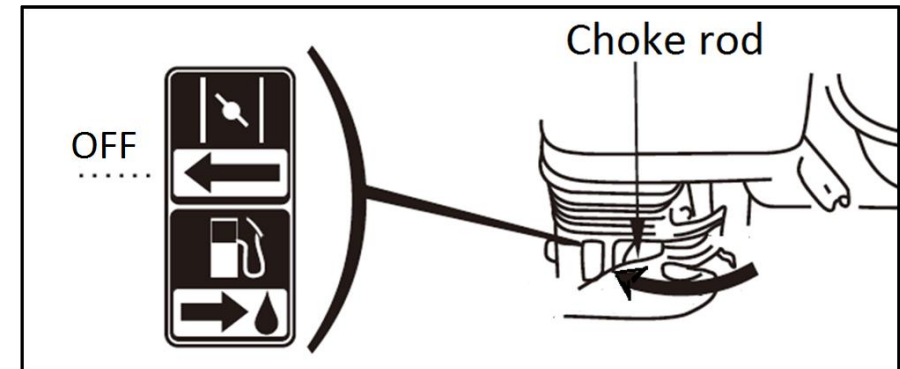
**Warning: Never run the engine without an air filter to accelerate engine wear.**

1.2 Start and stop.

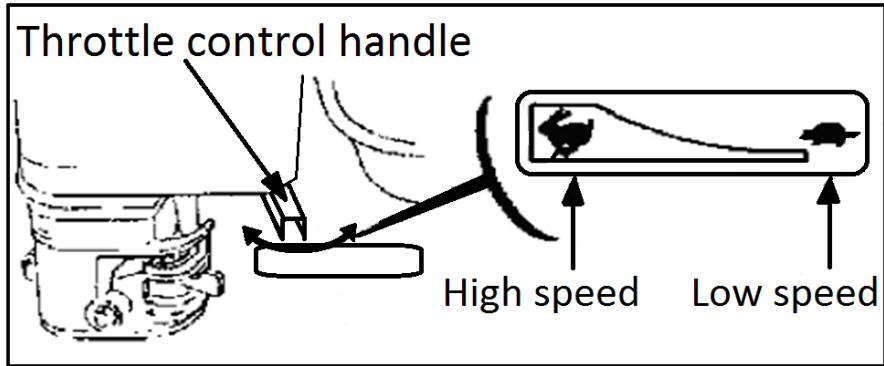
(4) Turn the fuel valve on to the "ON" (on) position.



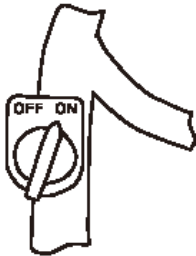
(5) Push Choke rod to "CLOSE" (off) position.



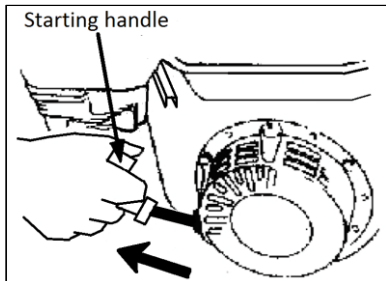
- (6) Turn the throttle control handle slightly to the left, and the machine remotely controls it through the throttle switch.



- (7) Turn the engine switch to the "ON" (on) position.



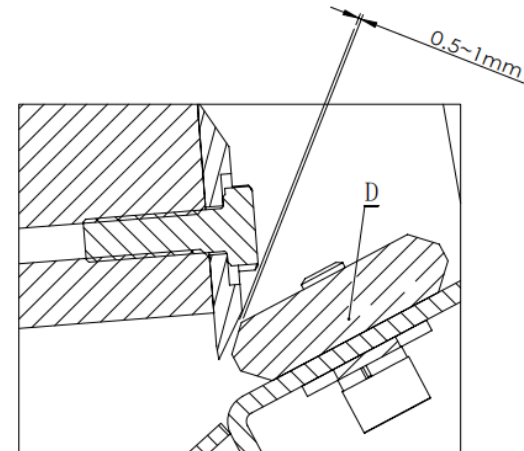
- (8) Gently pull back and forth from the winding starter starting string until there is resistance, and then pull out quickly.



**Note: Do not suddenly release the grip handle to bounce back and crash the engine and should slowly follow the rebound force of the**

**starter pull rope back.**

**ADJUSTMENT METHODS AND DATA**



After loosening the screw, move the cutter block D and adjust the gap to 0.5-1mm. After adjusting the gap, carefully and slowly turn the knife roll for 2 weeks, to determine that there is no adjustment error, and to determine that the blade and the cutter do not interfere.

**TRANSPORT AND STORAGE.**

Contacting with a hot engine or exhaust system can cause serious burns or fires. Let the engine cool down before transporting or storing the engine.

When transporting the engine, turn the engine switch and the fuel valve to OFF. Keep the engine cool.

If the engine is not used for long time, do the necessary maintenance before its storage:

Firstly, take off the fuel tank, drain out all fuel, and clean the dirt and water inside the tank. Open the fuel cock, unscrew the drain plug at the bottom of carburetor, drain out fuel in carburetor thoroughly, and then tighten the drain plug.

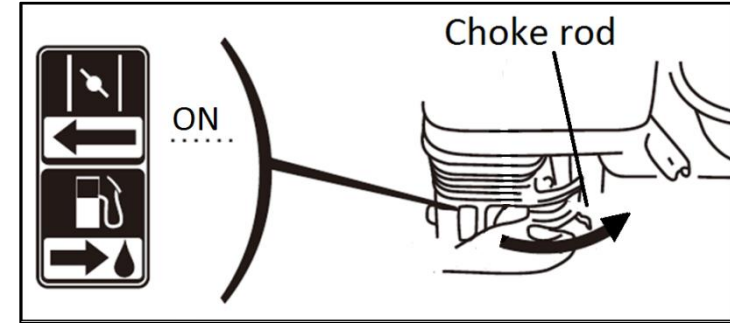
Secondly, unscrew the drain plug at the bottom of the crankcase and drain out the lubricant oil in the crankcase thoroughly, then tighten the drain plug.

Finally, clean the surface of the engine with clean cloth, remove the dirt and dust etc. Then store the engine in a well-ventilated, dirt-free place.

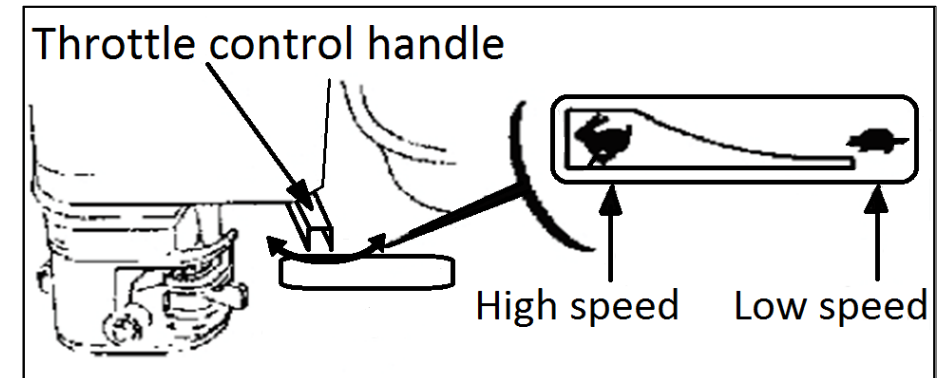
**TROUBLESHOOTING**

Common fault	Reason for the occurrence	Elimination method
Material cannot be fed automatically, The crushing size is not uniform	(1) The blade is badly worn (2) The gap between the bottom knife and the cutting knife is too large	(1) Change or replace the cutting knife (2) Adjust the gap to 0.5-1mm
The disc cannot rotate, or the blade is damaged	The material diameter is too large, beyond the design value, or the fork branches are too large; the knife plate is blocked or has metal, stones, and other hard objects; the material diameter is too jammed	Open the lower discharge cover and rotate the plate with a wrench to remove the foreign body
Belt is damaged or different	The two pulleys are not in the same straight line	(1) Replace the belt or adjust the pulley; (2) Stop and check the fasteners of the abnormal noise parts
The upper material outlet should not be thrown away	The machine is stuffed with leaves with excessive humidity, grass (roots), and rotting plants	Open the discharge mouth cover, to clear the blockage; if such materials are mainly used, it is recommended to open the slag cleaning cover plate, and often clean the slag cover
Power consumption is too large, the engine is in black, and the motor temperature is abnormal	(1) The blade is badly worn (2) The gap between the bottom knife and the cutting knife is too large	(1) Change or replace the cutting knife (2) Adjust the gap to 0.5-1mm
The Wood Chipper did not vibrate normally	(1) The gap between the blade and the fixed bottom blade is inconsistent. (2) Bearing wear and tear. (3) There is metal, stones and other foreign bodies in the knife plate. (4) The fastener is loose	(1) Adjust the gap between the blade and fixed or replace the blade. (2) Replace the bearings. (3) Open the slag cleaning cover plate and clean the knife plate; (4) Stop and check and tighten the parts

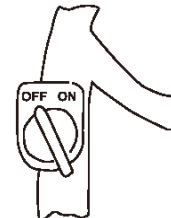
- (9) Move the choke lever gradually after engine preheating to the OPEN (on) position.
- (10) Adjust the position of the required engine speed through the throttle switch (or throttle



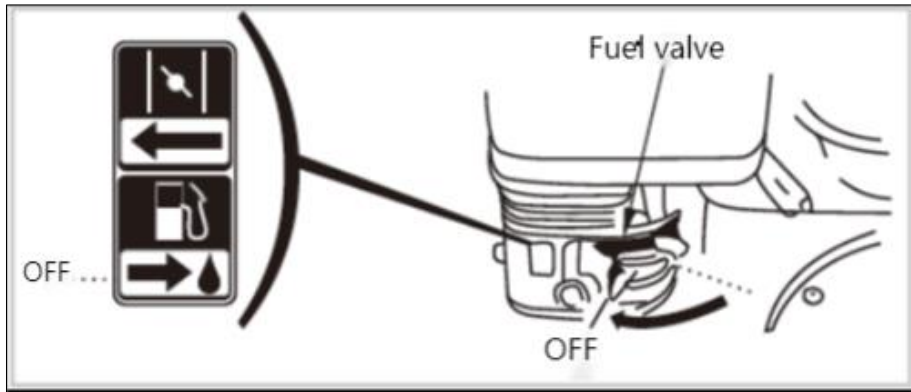
- handle).
- (11) Turn off the engine
  - 1) In case of emergency shutdown, pull the engine switch directly to the OFF (off) position
  - 2) Under normal circumstances, shut down the engine as described below
    - a. Keep the throttle switch counterclockwise to a minimum (or move the throttle handle to the right)



- b. Turn the engine switch to the "OFF" (off) position.



c. Bring the fuel valve to the OFF " (off) position.



**Diesel engine**

2.1 Add oil.

Add SAW10W-40 lubricating oil to the diesel engine crankcase and add different lubricating oil according to the following table according to the actual situation.

2.2 Inject light diesel number 0 (summer) or-10 (winter) into the diesel oil tank.

2.3 Start up the diesel engine.

- (1) Turn on the fuel switch.
- (2) Pull the governor joystick to the START (Start) position.
- (3) Turn the electrical start switch clockwise to the Start position.
- (4) After the diesel engine starts, the hand immediately leaves the start switch.
- (5) If the diesel engine cannot start after 10 seconds of starting the motor, please wait 15 seconds to start again.

**Warning: Long running start power opportunity consumes the battery power and may burn out the motor.**

**Maintenance**

3.1 The bearing should be regularly filled with grease to ensure lubrication.

3.2 Maintenance of the engine Please refer to the engine operation manual for specific maintenance.

3.3 Please check the tightness of the screws before and after use. After use, it is recommended to carry out rust and dust treatment and timely clean the debris in the room to avoid the next use.

3.4 If the machine is stored for a long time, please note the following points:

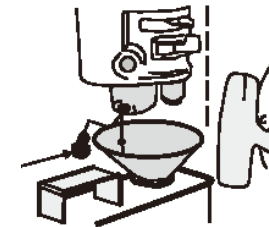
- (1) Please choose a well-ventilated, dry and clean site, and ensure that minors cannot contact and use it.

- (2) Please discharge the fuel in the fuel tank and the carburetor into the appropriate container for safekeeping (the fuel in the carburetor can turn the machine off and automatically turn it off to discharge clean).
- (3) Check the storage battery once a month. If the electrolyte is near the lower limit level, fill the distilled water to the upper limit level.

**COMMON FAULTS AND TROUBLESHOOTING METHODS.**

**Common faults and troubleshooting methods of gasoline machine.**

- 1.1 Is the engine switch placed in the ON (on) position?
- 1.2 Is there enough lubricating oil?
- 1.3 Is the fuel valve placed in the ON (on) position?
- 1.4 Is there any fuel in the fuel tank?
- 1.5 Whether the fuel reaches the carburetor, loosen the carburetor oil discharge bolt and place the fuel valve on the ON (on) to check.



**Warning: If there is a fuel spill, remove it thoroughly and check the spark plug or start the engine after the volatilization is completed, otherwise it is easy to cause fire.**

- 1.6 Is there a spark in the spark plug?
  - (1) Remove the spark plug cap, remove the dust, and remove the spark plug.
  - (2) Put the spark plug cap back on the spark plug.
  - (3) Contact the side of the spark plug to any engine contact point. Pull the starter and see if sparks occur between the cracks.
  - (4) If there is no spark, replace the spark plug, install, and start the engine according to the instructions.
- 1.7 If the engine still does not start, send the engine to the authorized seller for maintenance.

**Common faults and troubleshooting methods of the twigs.**