

including, but not limited to, loss of use, loss of profits, loss of production, expense of substitute equipment or other commercial loss or damage.

**Limitation of Liability:** This limited warranty is in lieu of all other express warranties, obligations, or liabilities. Any implied warranties, obligations, or liabilities, including, but not limited to, any implied warranty of merchantability shall be limited in duration to the applicable warranty period. Any action for breach of any warranties hereunder, including, but not limited to, any implied warranty of merchantability must be brought within the applicable warranty period.

**Modifications of Warranty:** No agent, representative, dealer, or employee of KisanKraft Limited or any of its manufacturers has the authority to increase or alter the obligations of this warranty.

**Assignment / Transfer of warranty:** The warranty cannot be assigned and shall not transfer if the product is resold by the first buyer. The above warranties are extended to the first end user (original purchaser), and no warranty is made, nor authorized to be made assignable on resale by the first end user.

**What you must do to obtain limited warranty service:** To obtain performance of any obligation under this warranty for failure during the applicable warranty period, you must deliver the defective product, to the nearest Authorized Dealer, along with proof-of-purchase (invoice/receipt). KisanKraft Limited, its manufacturers and its dealers reserve the right to inspect the claimed defective part(s) to determine if the malfunction is the result of a defect covered by this warranty. Please note that the decision of KisanKraft Limited with respect to any warranty claim is final.

**After-sales Service (Including Warranty):** KisanKraft Limited does not sell directly to consumers. All sales or supplies are made through Authorized Dealers. It is the responsibility of the Authorized Dealer to provide all after-sales service to consumers. Any warranty claim should be raised by dealer to KisanKraft Limited as per warranty policy.

**Jurisdiction:** All disputes are subject to Bangalore court's jurisdiction.

**Notes:**

- This purchase is not contingent upon a product demonstration. The purchaser shall satisfy himself with the product, including any product demonstration or verification of any function, before buying. KisanKraft Limited or its authorized dealers, including online sellers, shall not be liable to give any on-site demonstration after purchase of any of the product.
- Any product once used will not be taken back by KisanKraft Limited.
- Warranty and After Sale Services (including but not limited to installation, Demonstration, Repair, Routine Maintenance etc.), should be done through the Authorized Dealer selling this product.
- Dealers should have their own technician to provide After Sales Services to their Customers. KisanKraft Limited provides free training to Authorized Dealer's technicians at KisanKraft Limited's head office, on request from Authorized Dealer.

**This warranty is null & void, if you fail to register the warranty with KisanKraft by sending the KisanKraft Copy with dealer's stamp.**

**KisanKraft Limited** (formerly known as KisanKraft Machine Tools P Ltd)

🌐: [www.kisankraft.com](http://www.kisankraft.com)

✉: [info@kisankraft.com](mailto:info@kisankraft.com)

☎: +91.80. 6835 7800

Product	<b>Stubble Shaver</b>	KisanKraft Invoice Date	
Brand	<b>KisanKraft</b>	KisanKraft Invoice No.	
Model	<b>☐ KK-STB-050</b>		
<b>WARRANTY PERIOD</b>	<b>6 MONTHS</b>	FOR THE SPECIFIED PERIOD FROM THE DATE OF SALE OR DELIVERY WHICHEVER IS EARLIER.	
Dealer's Invoice Date		Dealer's Invoice No.	
Buyer's Info (Name, Address, Phone, etc.):		Dealer's Stamp (Address, Phone, TIN, etc.):	
Buyer's Sign		Dealer's Sign	

**Warranty Policy**

**What is covered:** KisanKraft Limited and its manufacturers warrant this product to be free from defects in material or workmanship. All parts defective in material and workmanship are covered.

This warranty will only cover defects arising under normal usage.

This warranty is limited to repair or replacement by KisanKraft Limited or its manufacturers of such parts as appear to KisanKraft or its manufacturers, upon inspection, to be defective in material and/or workmanship. KisanKraft or its manufacturers make no warranty with respect to items not manufactured or sold by them. No onsite warranty is provided by KisanKraft Limited or its manufacturers. Defective items must be brought/sent to our Authorized Dealer or KisanKraft Limited's office for service.

**What is not covered:** The *warranty shall become null and void* and neither KisanKraft Limited nor any of its manufacturers, nor its authorized dealers assume any responsibility, if the failure was caused by the following:

- (1) Operation of product with incorrect fuel or lubricants, (2) Incorrect usage of machine or misuse, (3) Lack of maintenance, (4) Negligence, (5) Accident or physical damage, (6) Repairs made by unauthorized parties and/or with unauthorized parts, (7) Improper set up, adjustments, tampering or altered products (8) Any modification to the product what-so-ever.

**Important:** (1) Normal maintenance and adjustments to the product is the responsibility of the customer. (2) Normal wear and tear are not covered under warranty. (3) Rubber/plastic parts and consumables such as blades, clutch and clutch-bell, sparkplugs, nylon line, air-filters, fuel-filters, oil seals and gaskets etc. are not covered under the warranty. (4) Electrical Motor, Electrical Parts, Battery Etc. are not covered under the warranty.

**Incidental / Consequential Loss:** KisanKraft Limited or its manufacturers will not be liable for general damages, including bodily injuries, or for incidental or consequential damages including, but not limited to, loss of use, loss of profits, loss of production, expense of substitute equipment or other commercial loss or damage.

🌐: [www.kisankraft.com](http://www.kisankraft.com)

✉: [info@kisankraft.com](mailto:info@kisankraft.com)

☎: +91.80. 6835 7800

**Limitation of Liability:** This limited warranty is in lieu of all other express warranties, obligations, or liabilities. Any implied warranties, obligations, or liabilities, including, but not limited to, any implied warranty of merchantability shall be limited in duration to the applicable warranty period. Any action for breach of any warranties hereunder, including, but not limited to, any implied warranty of merchantability, must be brought within the applicable warranty period.

**Modifications of Warranty:** No agent, representative, dealer, or employee of KisanKraft Limited or any of its manufacturers has the authority to increase or alter the obligations of this warranty.

**Assignment / Transfer of warranty:** The warranty cannot be assigned and shall not transfer if the product is resold by the first buyer. The above warranties are extended to the first end user (original purchaser), and no warranty is made, nor authorized to be made assignable on resale by the first end user.

**What you must do to obtain limited warranty service:** To obtain performance of any obligation under this warranty for failure during the applicable warranty period, you must deliver the defective product to the nearest Authorized Dealer, along with proof-of-purchase (invoice/receipt). KisanKraft Limited, its manufacturers and its dealers reserve the right to inspect the claimed defective part(s) to determine if the malfunction is the result of a defect covered by this warranty. Please note that the decision of KisanKraft Limited with respect to any warranty claim is final.

**After-sales Service (Including Warranty):** KisanKraft Limited does not sell directly to consumers. All sales or supplies are made through Authorized Dealers. It is the responsibility of the Authorized Dealer to provide all after-sales service to consumers. Any warranty claim should be raised by dealer to KisanKraft Limited as per warranty policy.

**Jurisdiction:** All disputes are subject to Bangalore court's jurisdiction.

**Notes:**

- This purchase is not contingent upon a product demonstration. The purchaser shall satisfy himself with the product, including any product demonstration or verification of any function, before buying. KisanKraft Limited or its authorized dealers, including online sellers, shall not be liable to give any on-site demonstration after purchase of any of the products.
- Any product once used will not be taken back by KisanKraft Limited.
- Warranty and After Sale Services (including but not limited to installation, Demonstration, Repair, Routine Maintenance etc.), should be done through the Authorized Dealer selling this product.
- Dealers should have their own technician to provide After Sales Services to their Customers. KisanKraft Limited provides free training to Authorized Dealer's technicians at KisanKraft Limited's head office, on request from Authorized Dealer.

Product	<b>Stubble Shaver</b>	KisanKraft Invoice Date	
Brand	<b>KisanKraft</b>	KisanKraft Invoice No.	
Model	<b>KK-STB-050</b>		
<b>WARRANTY PERIOD</b>	<b>6 MONTHS</b>	FOR THE SPECIFIED PERIOD FROM THE DATE OF SALE OR DELIVERY WHICHEVER IS EARLIER.	
Dealer's Invoice Date		Dealer's Invoice No.	
Buyer's Info (Name, Address, Phone, etc.):		Dealer's Stamp (Address, Phone, TIN, etc.):	
Buyer's Sign		Dealer's Sign	

**Warranty Policy**

**What is covered:** KisanKraft Limited and its manufacturers warrant this product to be free from defects in material or workmanship. All parts defective in material and workmanship are covered.

This warranty will only cover defects arising under normal usage.

This warranty is limited to repair or replacement by KisanKraft Limited or its manufacturers of such parts as appear to KisanKraft or its manufacturers, upon inspection, to be defective in material and/or workmanship. KisanKraft or its manufacturers make no warranty with respect to items not manufactured or sold by them. No onsite warranty is provided by KisanKraft Limited or its manufacturers. Defective items must be brought/sent to our Authorized Dealer or KisanKraft Limited's office for service.

**What is not covered:** The *warranty shall become null and void* and neither KisanKraft Limited nor any of its manufacturers, nor its authorized dealers assume any responsibility, if the failure was caused by the following:

- (1) Operation of product with incorrect fuel or lubricants, (2) Incorrect usage of machine or misuse, (3) Lack of maintenance, (4) Negligence, (5) Accident or physical damage, (6) Repairs made by unauthorized parties and/or with unauthorized parts, (7) Improper set up, adjustments, tampering or altered products (8) Any modification to the product what-so-ever.

**Important:** (1) Normal maintenance and adjustments to the product is the responsibility of the customer. (2) Normal wear and tear are not covered under warranty. (3) Rubber/plastic parts and consumables such as blades, clutch and clutch-bell, sparkplugs, nylon line, air-filters, fuel-filters, oil seals and gaskets etc. are not covered under the warranty. (4) Electrical Motor, Electrical Parts, Battery Etc. are not covered under the warranty.

**Incidental / Consequential Loss:** KisanKraft Limited or its manufacturers will not be liable for general damages, including bodily injuries, or for incidental or consequential damages

**This warranty is null & void, if you fail to register the warranty with KisanKraft by sending the KisanKraft Copy with dealer's stamp.**

**KisanKraft Limited** (formerly known as KisanKraft Machine Tools P Ltd)



**Wide Range of Products for Every Need**



**User Manual**



**KisanKraft Limited**

**Warehouse:** 818 3B1 to 818 3B18, Podalukur - Sangam Road, Prabagiriapatnam, Podalukur, Nellore - 524345, Andhra Pradesh, INDIA

**Head Office:** #4,1st Main,7-A Cross, Maruthi Layout, Dasarahalli, HAF Post, Hebbal, Bangalore 560024, Karnataka, INDIA

- ◆ Bangalore (HO) ◆ Ahmedabad ◆ Bhopal ◆ Bhubaneswar ◆ Coimbatore
- ◆ Guwahati ◆ Hubli ◆ Hyderabad ◆ Jaipur ◆ Karnal
- ◆ Kolkata ◆ Lucknow ◆ Nellore ◆ Pune ◆ Raipur



Scan the QR code to download  
**KisanKraft App**

App is available on



Scan the QR code for  
**KisanKraft Youtube Channel**



For more information give **MISSED CALL: 07676065555**



Many of our products have BIS: ISI certification.



**CONTENTS**

BEFORE GETTING STARTED..... 7

SAFETY INSTRUCTIONS ..... 7

Chapter I Safety Precautions and Warnings ..... 9

    1 Training..... 9

    2 Prepare ..... 9

    3 Manipulation..... 10

    4 Maintenance and Storage ..... 12

Chapter II Position and Quantity of Safety Warning Signs Posted on Machines ..... 12

    1. Safety warning signs ..... 12

    2. Paste Position of Safety Warning signs ..... 13

Chapter III Main Technical Specifications and Configuration Requirements ..... 16

    1 Main Technical Specifications ..... 16

    2 Supporting requirements:..... 17

    3 Schematic diagram of structure ..... 17

Chapter IV Operating Instructions ..... 18

Chapter V Scope of Application ..... 23

Chapter VI Common Faults and Troubleshooting Methods ..... 24

    1. Engine faults and troubleshooting methods ..... 24

    2. Clutch failures and troubleshooting methods ..... 24

    3 Failure and troubleshooting of transmission box ..... 25

Chapter VII List of Wearable Parts..... 26

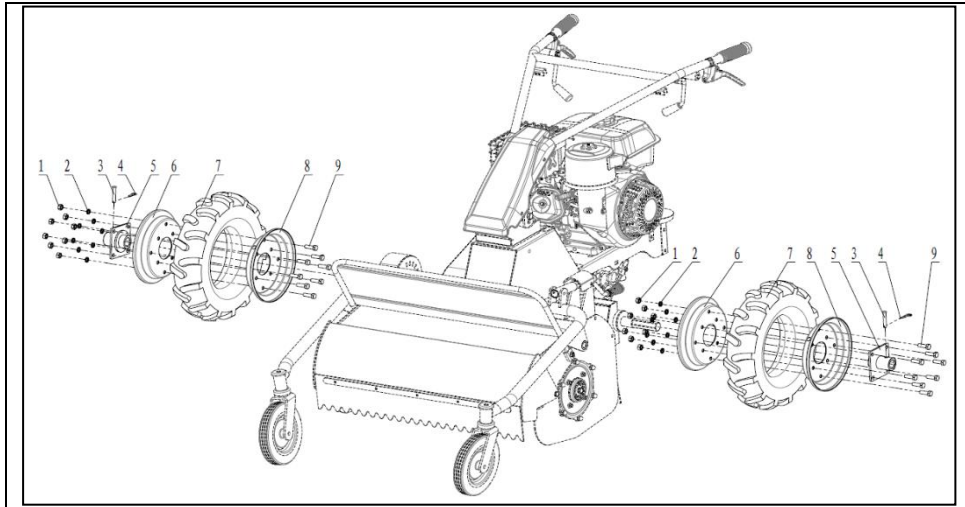
Machine Installation Guide..... 27

Part Diagram ..... 29

**KisanKraft Limited, has a large range of products to serve the farmers. A list of our products is given below:**

<p><b>Brush Cutters and Accessories</b></p> <ul style="list-style-type: none"> <li>Brush Cutter/Power Weeder</li> <li>Backpack Brush Cutter</li> <li>Tea Pruner</li> <li>Pole pruner with Engine</li> <li>Reaper Attachment</li> <li>Blades-Circular</li> <li>Blades (2 &amp; 3 points)</li> <li>Baffle</li> <li>Nylon Rope</li> <li>Tap &amp; Go</li> </ul> <p><b>Chainsaws</b></p> <ul style="list-style-type: none"> <li>Petrol Chainsaw</li> <li>Electric Chainsaw</li> <li>Chain Sharpening Machine</li> </ul> <p><b>Engines and Water Pumps</b></p> <ul style="list-style-type: none"> <li>Engine –Diesel-(Horizontal)</li> <li>Engine –Diesel (Vertical)</li> <li>Engine-Kerosene</li> <li>Water Pump with Petrol Engine</li> <li>Water Pump with Kerosene Engine</li> <li>Water Pump with Diesel Engine</li> </ul> <p><b>Hand Tools</b></p> <ul style="list-style-type: none"> <li>Secateurs</li> <li>Folding Saw</li> <li>Garden Rake</li> <li>Garden Shovel</li> <li>Hedge Shear</li> <li>Lopper</li> <li>Telescopic Hedge Shear</li> <li>Telescopic Lopping Shear</li> <li>Tree Pruner</li> <li>Telescopic Steel Pipe &amp; Fruit Picker Bag</li> <li>Sheep Shear</li> </ul> <p><b>Garden Tools</b></p> <ul style="list-style-type: none"> <li>Electric Pressure Washer</li> <li>Hedge Trimmer</li> <li>Lawn Shaver (Electric, Petrol &amp; Manual)</li> <li>Leaf Blower</li> </ul>	<p><b>Cultivators and Accessories</b></p> <ul style="list-style-type: none"> <li>Petrol and Diesel</li> </ul> <p><b>Sprayers and Accessories</b></p> <ul style="list-style-type: none"> <li>Battery Sprayer</li> <li>Portable Power Sprayer</li> <li>Trolley Sprayer</li> <li>Manual Knapsack Sprayer</li> <li>Manual Pressure Sprayer</li> <li>Rose Cans</li> <li>Hose Crimping Machine</li> <li>HTP Sprayer</li> <li>HTP Delivery Hose</li> <li>HTP Hose Reel</li> <li>HTP Stand</li> <li>HTP Gun / Lance (Brass Rod)</li> <li>Knapsack Power Sprayer</li> <li>Mister / Duster / Granule Sprayer</li> <li>HTP Sprayer Set with Diesel Engine</li> <li>HTP Sprayer Set with Kerosene Engine</li> <li>Fogging Machine</li> </ul> <p><b>Milking Machine</b></p> <ul style="list-style-type: none"> <li>Wood Shredder</li> <li>Fodder Ensiling Chaff Cutter</li> <li>Fodder Grinder Chaff Cutter</li> <li>Fodder Mini Chaff Cutter</li> </ul> <p><b>Harvester</b></p> <ul style="list-style-type: none"> <li>Maize Sheller</li> <li>Maize Sheller + Dehusker</li> <li>Maize Combine Harvester</li> <li>Onion Digger Carlotta Italy</li> <li>Tea Leaf Harvester</li> <li>Sugarcane Combine Harvester</li> <li>Sugarcane Leaf Stripper</li> </ul> <p><b>Transplanter and Post Hole Digger</b></p> <ul style="list-style-type: none"> <li>Paddy Transplanter (2 &amp; 8 Rows)</li> <li>Transplanter-Vegetable &amp; Tobacco</li> <li>Post Hole Digger (4" to 14" Augers)</li> </ul>
--	--

• **Walking wheel Assy**



SL.NO	PART NO.	PART	PART NAME	QTY
1	360010008	GB/T6170	Hex nut M10	16
2	360620015	GB/T93	Spring washer 10	16
3	361020032	GB/T882	Pin 8x50	2
4	3402200004-0002		Circlip B	2
5	2801000036-0001		Wheel axle	2
6	2800800001-0005		Inner spokes/4.00-8	2
7	2800500006-0002		Tire 4.00-8	2
8	2800900001-0005		Outer spokes/holes/4.00-8	2
9	360250034	GB/T5783	Hexagon head bolt M10x25	16

Product	<b>Stubble Shaver</b>	KisanKraft Invoice Date	
Brand	<b>KisanKraft</b>	KisanKraft Invoice No.	
Model	<b>☐ KK-STB-050</b>		
<b>WARRANTY PERIOD</b>	<b>6 MONTHS</b>	FOR THE SPECIFIED PERIOD FROM THE DATE OF SALE OR DELIVERY WHICHEVER IS EARLIER.	
Dealer's Invoice Date		Dealer's Invoice No.	
Buyer's Info (Name, Address, Phone, etc.):		Dealer's Stamp (Address, Phone, TIN, etc.):	
Buyer's Sign		Dealer's Sign	

### Warranty Policy

**What is covered:** KisanKraft Limited and its manufacturers warrant this product to be free from defects in material or workmanship. All parts defective in material and workmanship are covered.

This warranty will only cover defects arising under normal usage.

This warranty is limited to repair or replacement by KisanKraft Limited or its manufacturers of such parts as appear to KisanKraft or its manufacturers, upon inspection, to be defective in material and/or workmanship. KisanKraft or its manufacturers make no warranty with respect to items not manufactured or sold by them. No onsite warranty is provided by KisanKraft Limited or its manufacturers. Defective items must be brought/sent to our Authorized Dealer or KisanKraft Limited's office for service.

**What is not covered:** The *warranty shall become null and void* and neither KisanKraft Limited nor any of its manufacturers, nor its authorized dealers assume any responsibility, if the failure was caused by the following:

(1) Operation of product with incorrect fuel or lubricants, (2) Incorrect usage of machine or misuse, (3) Lack of maintenance, (4) Negligence, (5) Accident or physical damage, (6) Repairs made by unauthorized parties and/or with unauthorized parts, (7) Improper set up, adjustments, tampering or altered products (8) Any modification to the product what-so-ever.

**Important:** (1) Normal maintenance and adjustments to the product is the responsibility of the customer. (2) Normal wear and tear are not covered under warranty. (3) Rubber/plastic parts and consumables such as blades, clutch and clutch-bell, sparkplugs, nylon line, air-filters, fuel-filters, oil seals and gaskets etc. are not covered under the warranty. (4) Electrical Motor, Electrical Parts, Battery Etc. are not covered under the warranty.

**Incidental / Consequential Loss:** KisanKraft Limited or its manufacturers will not be liable for general damages, including bodily injuries, or for incidental or consequential damages including, but not limited to, loss of use, loss of profits, loss of production, expense of substitute equipment or other commercial loss or damage.

**Limitation of Liability:** This limited warranty is in lieu of all other express warranties, obligations, or liabilities. Any implied warranties, obligations, or liabilities, including, but not limited to, any implied warranty of merchantability shall be limited in duration to the applicable warranty period. Any action for breach of any warranties hereunder, including, but not limited to, any implied warranty of merchantability must be brought within the applicable warranty period.

**Modifications of Warranty:** No agent, representative, dealer, or employee of KisanKraft Limited or any of its manufacturers has the authority to increase or alter the obligations of this warranty.

**Assignment / Transfer of warranty:** The warranty cannot be assigned and shall not transfer if the product is resold by the first buyer. The above warranties are extended to the first end user (original purchaser), and no warranty is made, nor authorized to be made assignable on resale by the first end user.

**What you must do to obtain limited warranty service:** To obtain performance of any obligation under this warranty for failure during the applicable warranty period, you must deliver the defective product, to the nearest Authorized Dealer, along with proof-of-purchase (invoice/receipt). KisanKraft Limited, its manufacturers and its dealers reserve the right to inspect the claimed defective part(s) to determine if the malfunction is the result of a defect covered by this warranty. Please note that the decision of KisanKraft Limited with respect to any warranty claim is final.

**After-sales Service (Including Warranty):** KisanKraft Limited does not sell directly to consumers. All sales or supplies are made through Authorized Dealers. It is the responsibility of the Authorized Dealer to provide all after-sales service to consumers. Any warranty claim should be raised by dealer to KisanKraft Limited as per warranty policy.

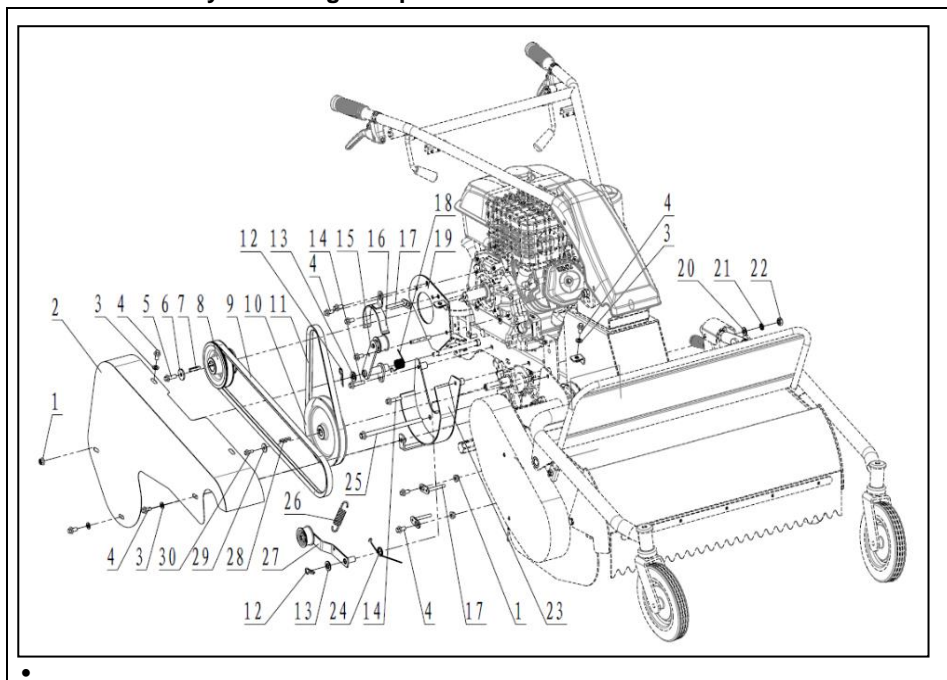
**Jurisdiction:** All disputes are subject to Bangalore court's jurisdiction.

**Notes:**

- This purchase is not contingent upon a product demonstration. The purchaser shall satisfy himself with the product, including any product demonstration or verification of any function, before buying. KisanKraft Limited or its authorized dealers, including online sellers, shall not be liable to give any on-site demonstration after purchase of any of the product.
- Any product once used will not be taken back by KisanKraft Limited.
- Warranty and After Sale Services (including but not limited to installation, Demonstration, Repair, Routine Maintenance etc.), should be done through the Authorized Dealer selling this product.
- Dealers should have their own technician to provide After Sales Services to their Customers. KisanKraft Limited provides free training to Authorized Dealer's technicians at KisanKraft Limited's head office, on request from Authorized Dealer.

14	360220067	GB/T16674.1	Hexagon flange bolt M8x35	2
15	2110300022-0001		Tensioner assembly/walking	1
16	2608000004-0001		Small pulley guard	1
17	2113000007-0001		Belt pressure lever	3
18	3404500008-0001		Tensioning cycle torsion spring	1
19	2422000013-0001		Belt guard bottom plate	1
20	360660013	GB/T97.1	Flat washer 10	1
21	360620015	GB/T93	Spring washer 10	1
22	360010008	GB/T6170	Hex nut M10	1
23	2112900003-0001		Pulley pressure plate	1
24	3404500003-0001		Tensioner return torsion spring/WM500	1
25	360220137	GB/T16674.1	Hexagon flange bolt M10x175	1
26	3404600004-0001		Tensioner tension spring/normally open	1
27	2110300021-0001		Tensioner assembly / tiller input	1
28	360980068	GB/T1096	Flat key 5x5x30	1
29	360590001	GB/T5287	Extra-large washer 6	1
30	360300007	GB/T5789	Hexagon flange bolt M6x16	1

• Pulley and belt guard parts





SL.NO	PART NO.	PART	PART NAME	QTY
1	360040009	GB/T6177.1	Hex flange nut M8	3
2	2601500058-0001		Belt guard	1
3	360660010	GB/T97.1	Flat washer 8	4
4	360220039	GB/T16674.1	Hexagon flange bolt M8x16	10
5	360220041	GB/T16674.1	Hexagon flange bolt M8x25	1
6	360590002	GB/T5287	Extra-large washer 8	1
7	360980047	GB/T1096	Flat key 7x7x30	1
8	2106600056-0001		Active pulley	1
9	2123600040-0001		V belt 17x1400LW	1
10	2152500017-0001		Walking driven pulley	1
11	2123600039-0001		V belt 17x895LW	1
12	3402200004-0002		Circlip B	2
13	360660009	GB/T97.1	Flat washer 12	2

## BEFORE GETTING STARTED

Thank you for purchasing our Inter-cultivator.

- This manual contains information on operation and maintenance of the Inter-cultivator, which is based on the most recent product information available at the time of approval for printing. We reserve the right to make amendments without prior notice and without incurring any obligation for sequences.
- No part of this publication may be reproduced without written permission.
- This manual should be considered a permanent part of the cultivator and remain with it if it is resold.
- Please pay special attention to statements preceded by the following words:

 <b>WARNING</b>	Indicates a strong possibility of severe personal injury or death if instructions are not followed.
 <b>CAUTION</b>	Indicates a possibility of personal injury or equipment damage if instructions are not followed.
<b>NOTE</b>	Gives helpful information.

## SAFETY INSTRUCTIONS



This machine is designed to give safe and dependable service if operated according to the instructions. Read and understand the Owner's Manual before operating the machine. Failure to do so could result in personal injury or equipment damage.



Exhaust gas contains poisonous carbon monoxide. Never run the cultivator in enclosed areas.

Be sure to provide adequate ventilation during installation and operation.

The rotating parts are sharp and runs at high speed.

Accidental contact can cause serious injury. Keep your hands and feet away from the parts while the engine is running.






Stop the engine and disengage the tines clutch before inspection or maintenance of the tines.

Disconnect the spark plug cap to prevent any possibility of accidental starting, wear heavy gloves to protect your hands from the tines when clearing the tines or when inspecting or replacing the tines.

The safety of you and others is very important. We provide important safety information both in the instruction manual and in the machine. Please read it carefully.

Safety information warns you of potential dangers that may harm you and others. Each piece of safety information is indicated by safety signs with safety quotations: danger, warning, and attention.

◆ **Please pay special attention to the statement of the above quotation**

	<b>Hazards:</b>	If you don't follow the instructions, it will cause serious injury or even death.
	<b>Warning:</b>	Failure to follow the instructions may result in equipment damage and casualties.
	<b>Note:</b>	If you do not follow the instructions, it may cause damage to equipment and personnel.

### Damage prevention information!

You can also see that other important information is indicated by "attention". Failure to follow the instructions may cause damage to the equipment.

### Safety precautions



◆ If the micro-tiller is operated according to the instructions, it can run safely and reliably according to the design. Please read and understand this manual carefully before operating the micro-tiller, otherwise it may cause personal injury or equipment damage. .

### Safety matters

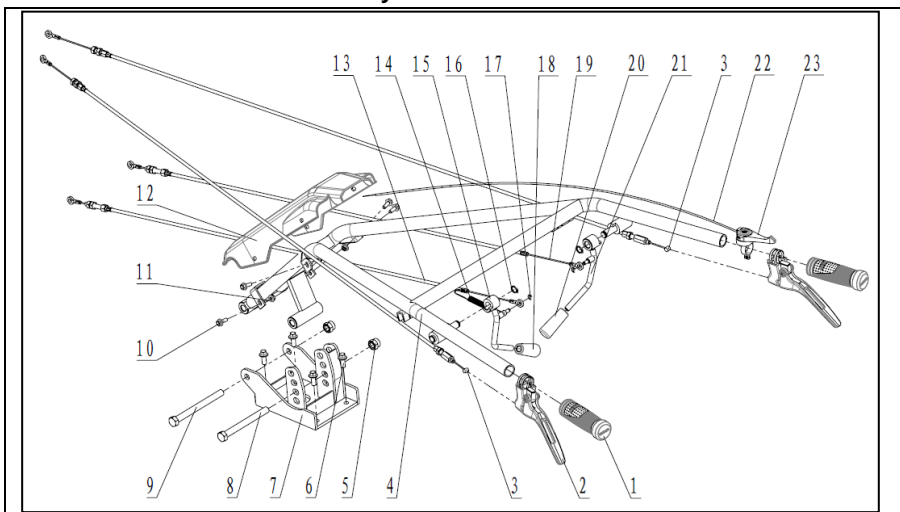
- When the engine starts, the clutch handle is released, and the flameout switch is ON.
- Please pay attention to safety when the machine works!
- Be careful of hurting people with rotary tillage knives and weeding wheels!
- The fuel must be strictly of the specified brand and must be clean!

10	360300007	GB/T57 89	Hexagon flange bolt M6x16	4
11	360040008	GB/T61 77.1	Hex flange nut M6	4
12	2605400010-0002		Armrest cover	1
13	3001800041-0001		Walking clutch cable	1
14	3404700005-0001		Tension loop spring/walking	1
15	3014300003-0001		Clutch handlebar/walking	1
16	360920058	GB/T89 4	Circlip for shaft 13	2
17	360940014	GB/T89 6	Open retaining ring 5	2
18	3011700003-0001		Handle cover φ10	1
19	3001600004-0001		Main clutch cable	1
20	3011700003-0002		Handle cover φ10	1
21	3014300002-0001		Clutch handlebar/knife	1
22	3000200007-0001		Throttle cable	1
23	1815700001-0001		Throttle switch φ25	1



9	2407900011-0001		Gear indicator	1
10	2401200069-0001		Engine bracket	1
11	360250034	GB/T5783	Hexagon head bolt M10x25	8
12	2419200006-0001		Engine mounting bracket weldment	2
13	3410800136-0001		Bushing 12x22x12	1
14	2134400001-0001		Output shaft pressure plate	2

• **Armrest control Assy**



SL.NO	PART NO.	PART	PART NAME	QTY
1	3000500011-0001		Grip φ25/curved	2
2	3000900010-0001		Steering clutch handle	2
3	3009100010-0001		Steering cable	2
4	2402300120-0001		Armrest	1
5	360120015	GB/T88 9.1	Lock nut M12	2
6	360220040	GB/T16 674.1	Hexagon flange bolt M8x20	4
7	2401400061-0001		Armrest seat	1
8	360260107	GB/T57 82	Hexagon head bolt M12x130	1
9	360260104	GB/T57 82	Hexagon head bolt M12x140	1

- When the machine stops farming, it is necessary to press the flameout switch "OFF" to keep the machine in a static state.
- Gasoline is flammable and must be fireproof.

◇ Due to the continuous improvement of models, photos and illustrations in the book may be different from real objects.

## Chapter I Safety Precautions and Warnings

### 1 Training

- a) Read the operation and maintenance instructions carefully, fully familiar with all operating mechanisms and the correct use of machines. Master how to stop and quickly separate the operating mechanism.
- b) Children are never allowed to use the machine. Never allow adults who have not read the instructions to use the machine.
- c) Keep the work area empty, especially children and pets.

### 2 Prepare

- a) Thoroughly inspect the area where the machine will be used and remove all sundries.
- b) Before starting the engine (motor), disengage all clutches and put them in neutral.
- c) Don't operate the machine without proper coat. Wearing non-slip shoes will improve the stability of foothold on slippery surfaces.
- d) Handle the fuel carefully, it is flammable.
  - 1) Use appropriate containers to store fuel oil.
  - 2) When the engine is running or warm-up, it is forbidden to add fuel into the fuel tank and lubricate oil into the box.
  - 3) Refueling should be done very carefully outdoors, not indoors.
  - 4) Before starting, tighten the fuel tank cover to wipe off the spilled fuel.

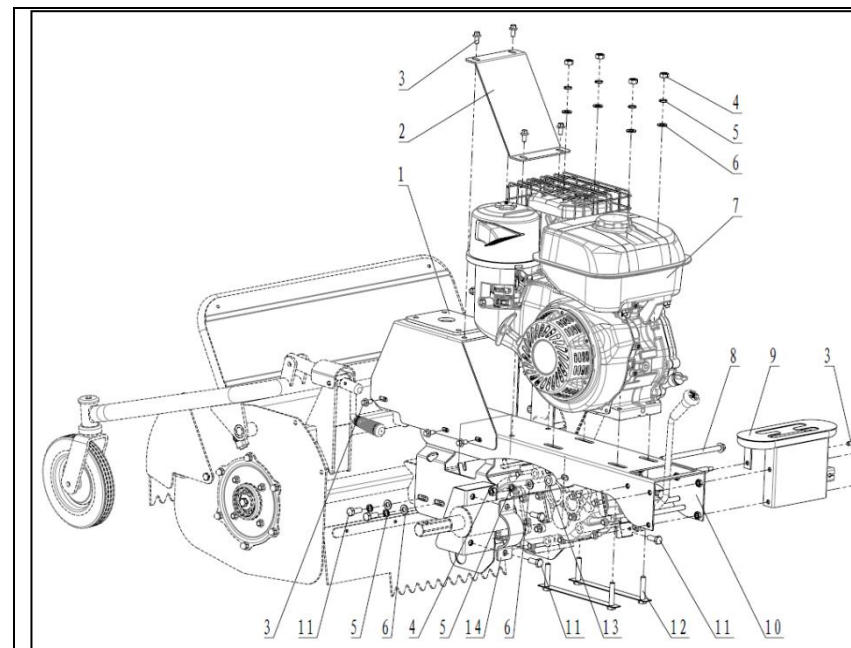
- e) When the engine is running, no adjustment shall be made (except special adjustment recommended by the manufacturer).
- f) Safety glasses should be worn during any operation, such as preparation, operation, and maintenance.

**3 Manipulation**

- a) Hands and feet shall not approach rotating parts, move back and forth parts or put them under rotating parts.
- b) Be especially careful when operating on (or passing through) gravel roads, sidewalks, or highways, be alert to potential dangers and pay attention to traffic conditions, and do not carry passengers.
- c) After hitting sundries, stop the engine and comprehensively check whether the machine is damaged. If damaged, restart and operate the machine only after repair.
- d) Pay attention to your feet at the beginning to avoid slipping or falling.
- e) In case of abnormal vibration of the machine, stop the engine immediately to find the cause, because vibration is usually the precursor of failure.
- f) Stop the engine when leaving the operating position, before clearing the blockage of the blade, and during maintenance, adjustment, or inspection.
- g) When the machine is in an unmanned state, all possible preventive measures should be taken separating the power take-off shaft, lowering the additional devices, putting in neutral, and stopping the engine.

55	2110300020-0001		Tensioner assembly / tiller output	1
56	360660015	GB/T97.1	Flat washer 16	1
57	2109200027-0001		Driven pulley / tiller output	1
58	360940010	GB/T896	Open retaining ring 15	1
59	2123600038-0001		V belt 17x985LW	1
60	360980056	GB/T1096	Flat key 7x7x20	1
61	2601500059-0001		Belt guard/lower	1

**• Engine and engine bracket parts**



SL.NO	PART NO.	PART	PART NAME	QTY
1	2401600010-0001		Armrest base	1
2	2405800006-0001		Strengthen the bracket	1
3	360220039	GB/T16674.1	Hexagon flange bolt M8x16	15
4	360010008	GB/T6170	Hex nut M10	5
5	360620015	GB/T93	Spring washer 10	9
6	360660013	GB/T97.1	Flat washer 10	9
7	T011490007		W300F-2 gasoline engine	1
8	360220136	GB/T16674.1	Hexagon flange bolt M10x170	1

17	361020064	GB/T882	Pin 10x50	1
18	3402200004-0002		Circlip B	1
19	2805500002-0001		Walking wheel support frame	1
20	360250118	GB/T5783	Hexagon head bolt M12x60	2
21	3410800135-0001		Bushing 12.2x16x39.2	2
22	360120015	GB/T889.1	Lock nut M12	2
23	360250072	GB/T5783	Hexagon head bolt M12x25	2
24	360620029	GB/T93	Spring washer 12	2
25	2607500009-0001		Cover	2
26	3411100016-0001		Washer 25.2x34x1	2
27	2408200009-0001		Dust cover	1
28	360250101	GB/T5783	Hexagon head bolt M10x25/left hand	1
29	360210006	GB/T923	Hexagon Cap Nut M8	6
30	2401900008-0001		Box connecting plate	1
31	2609200002-0001		Lower anti-wrap cover	2
32	360910022	GB/T893	Circlip for hole 62	2
33	360720088	GB/T276	Deep groove ball bearing 6206/2RS	2
34	2142300002-0001		Bearing seat	2
35	360250121	GB/T5783	Hexagon head bolt M10x35	18
36	2712100014-0001		Blade holder	1
37	2712500003-0001		Flail blade	36
38	360120013	GB/T889.1	Lock nut M10	20
39	360260007	GB/T5783	Hexagon head bolt M10x65	2
40	3410800134-0001		Bushing 10.5x17.5x44	2
41	2803100006-0001		Walking wheel	2
42	2801200002-0001		Front wheel bracket	2
43	360760007	GB/T301	Thrust ball bearings 51105	2
44	360210002	GB/T923	Hexagon Cap Nut M6	10
45	2415200004-0001		Mudguard bead	2
46	2411900020-0001		Mudguard rubber plate/front	1
47	360300007	GB/T5789	Hexagon flange bolt M6x16	10
48	3403000001-0001		Square neck bolt M8x16	6
49	2604900005-0001		Front fender	1
50	360940011	GB/T896	Open retaining ring 12	2
51	360010003	GB/T6170	Hex nut M8	2
52	2411400005-0001		Adjusting screw	1
53	3404600012-0001		Tension wheel tension spring / tiller output	1
54	2411900021-0001		Mudguard rubber plate/rear	1

- h) Before cleaning, repairing, or inspecting the machine, the engine should be turned off and all moving parts should be confirmed to be in a stopped state.
- i) The exhaust gas from the engine is harmful, so do not run indoors.
- j) Do not operate the grass chopper without proper protective devices, protective covers, or other protective devices.
- k) Keep away from children and pets.
- l) Don't overload the machine due to large cutting width and high speed.
- m) The machine shall not run at high speed on slippery roads. Watch the back and be careful when going backwards.
- n) Never allow bystanders to approach the machine.
- o) Only additional devices and equipment allowed by the manufacturer (such as wheel counterweight, counterweight, cab, etc.) can be used.
- p) When the visual field or light is not good, do not operate the grass chopper.
- q) Be careful when harvesting on hard ground. The blade may hook into the ground and pull the grass chopper forward. If this happens, let go of the handrail and don't control the machine.
- r) Don't work on steep slopes.
- s) When the Stubble Shaver goes downhill, it should be prevented from tipping over

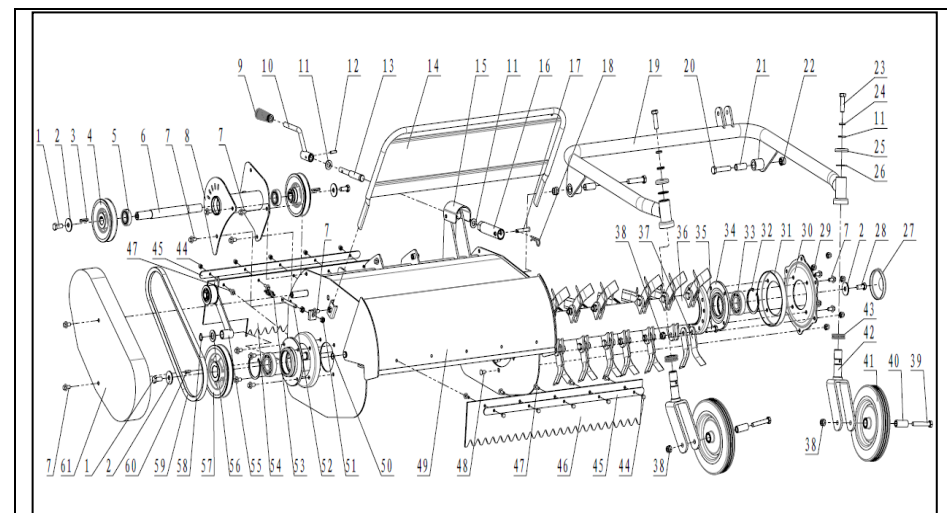
#### 4 Maintenance and Storage

- a) Keep the machine, additional devices, and equipment in safe working condition.
- b) Check whether the shear bolts, engine fixing bolts and other bolts are properly tightened at regular intervals to ensure that the machine is in safe working condition.
- c) The machine should be stored indoors and away from the fire source. The engine should be cooled before the machine is stored indoors.
- d) If the broken grass machine needs to be stored for a long time, the user's manual should always be kept as important information.
- e) Do not repair the machine at will unless you have suitable tools and instructions for disassembling, assembling, and repairing the machine.

#### Chapter II Position and Quantity of Safety Warning Signs Posted on Machines

1. Safety warning signs: should be kept clear and visible because they involve personal injury.
  - When the safety warning sign is lost or unclear, the user can entrust the distributor to contact the company of Weimar Agricultural Machinery Co., Ltd. for free, and post it according to the position shown below before continuing to use the Stubble Shaver.

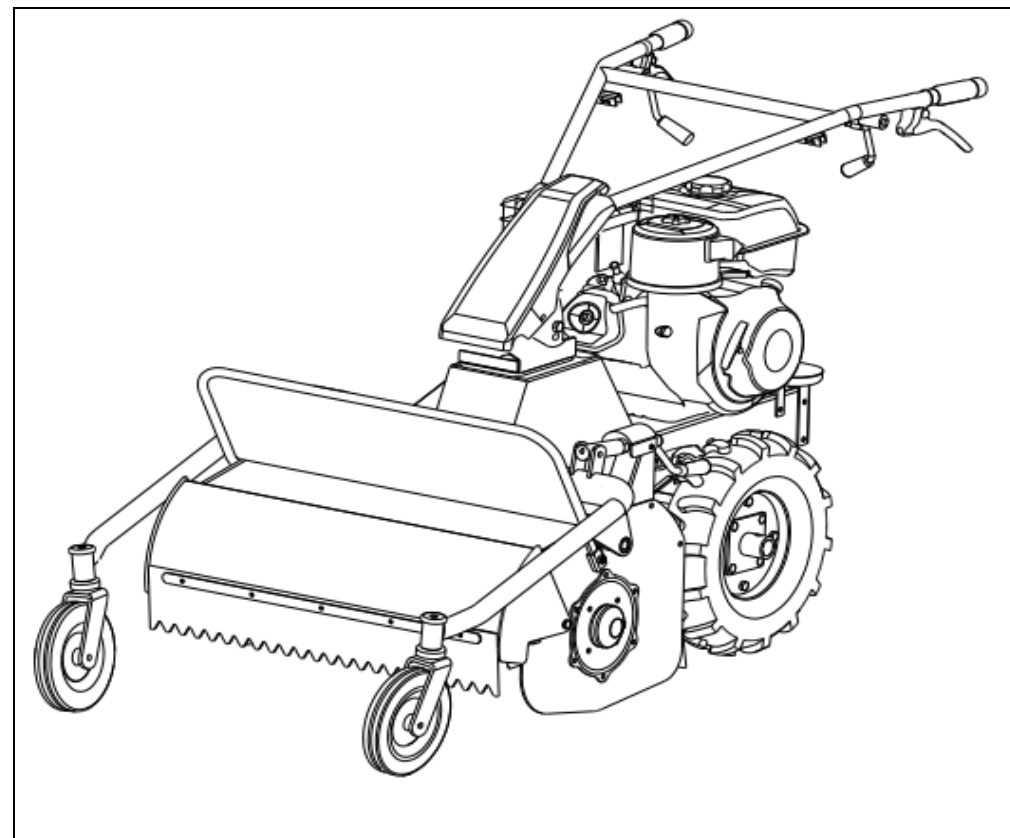
#### • Tillage Assy

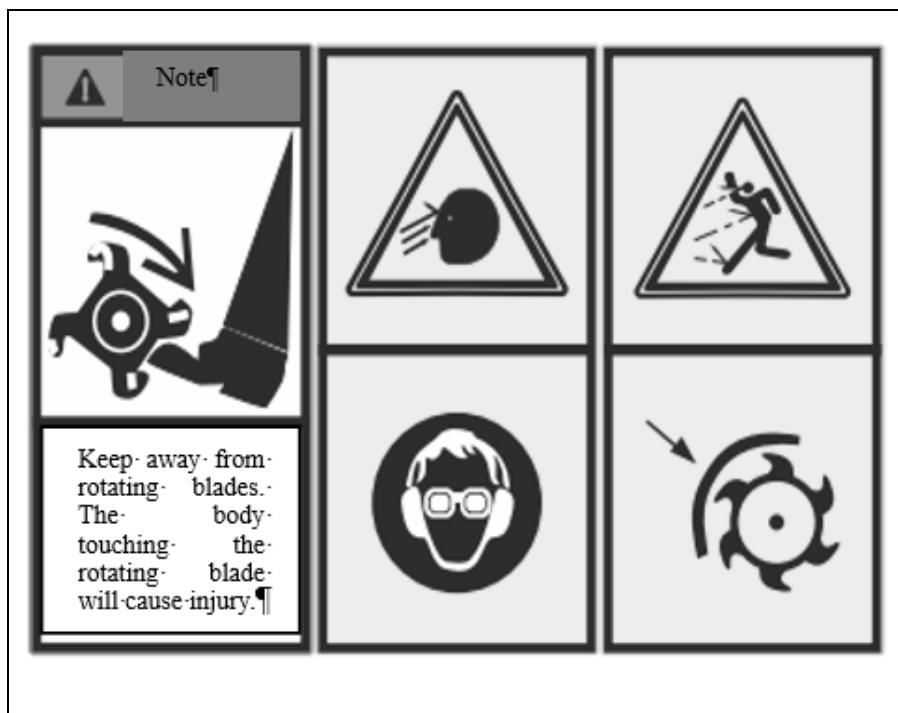


SL.NO	PART NO.	PART	PART NAME	QTY
1	360250034	GB/T5783	Hexagon head bolt M10x25	3
2	360590009	GB/T5287	Extra-large washer 10	4
3	360980068	GB/T1096	Flat key 5x5x30	2
4	2106600055-0001		Active pulley / tiller	2
5	360720008	GB/T276	Deep groove ball bearing 6004/2RS	2
6	2141200007-0001		transmission shaft	1
7	360220039	GB/T16674 .1	Hexagon flange bolt M8x16	16
8	2420400004-0001		Guard bracket	1
9	3000500014-0001		Grip Φ12/curved	1
10	3003800006-0001		Adjust handle/height adjustment	1
11	360660009	GB/T97.1	Flat washer 12	4
12	360580023	GB/T879.4	Pin 6x24	1
13	2411400006-0001		Adjusting screw/height adjustment	1
14	2607800002-0001		Sliding baffle	1
15	2803800007-0001		Support frame	1
16	3005800002-0001		Connecting rod adjustment lever	1

58	213800001-0001		Input shaft retaining ring	1
59	2114500012-0001		Input shaft	1
60	2117500002-0001		Auxiliary gear shift gear	1
61	360720064	GB/T276	Deep groove ball bearings 61905/P6	1
62	2102700002-0001		Second and third gear shift fork	1
63	3404800012-0001		Gear pressure spring 8x25	2
64	360970009	GB/T308	Steel ball Sφ8	2
65	2103900001-0001		Lower fork shaft	1
66	2103800001-0001		Upper fork shaft	1
67	360920058	GB/T894	Circlip for shaft 13	1
68	2101800006-0001		Reverse gear fork	1
69	2116900001-0001		Lever limit plate	1
70	360010024	GB/T6170	Type 1 hexagon nut M6	1
71	2104400001-0001		Fork lever box	1
72	3409000010-0001		Oil plug 26x7	2
73	2139600001-0001		Lever shaft	1
74	2405300002-0001		Lever	1
75	360580024	GB/T879.4	Pin 6x18	1
76	3000500010-0001		Damping grip φ12 (with gear mark)	1
77	360220161	GB/T16674.1	Hexagon flange bolt M8x55	4
78	2425000001-0001		Vent plug	2
79	3015500002-0001		Shift lever	1
80	3016800001-0001		Gear lever set	1
81	360300009	GB/T5789	Hexagon flange bolt M6x30	1
82	360800031	GB/T9877	Oil seal 24x35x7	1
83	3407900001-0001		Combination gasket 8	2
84	360220038	GB/T16674.1	Hexagon flange bolt M8x12	2
85	360220153	GB/T16674.1	Hexagon flange bolt M10x12	1
86	3407900002-0001		Combination gasket 10	1

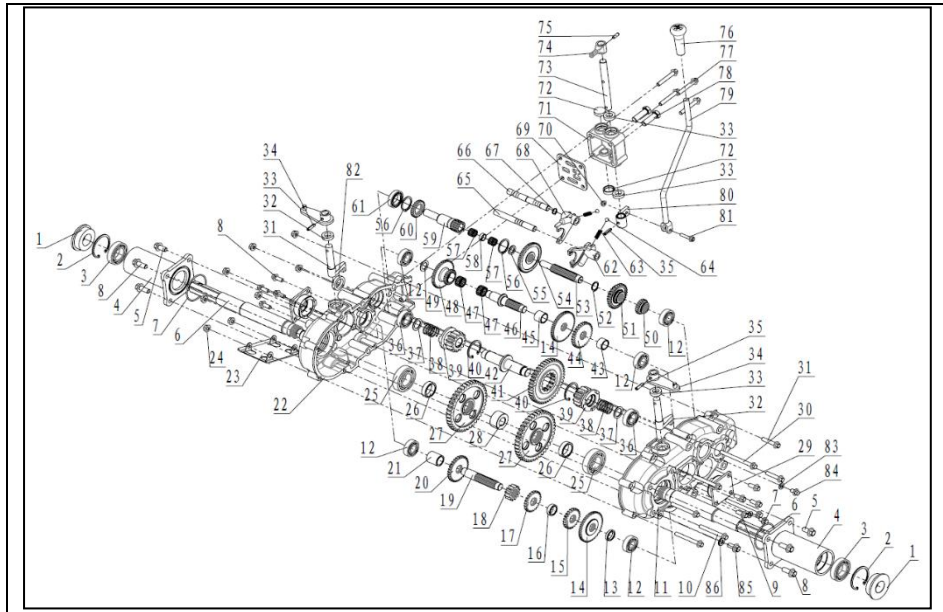
**2. Paste Position of Safety Warning signs**



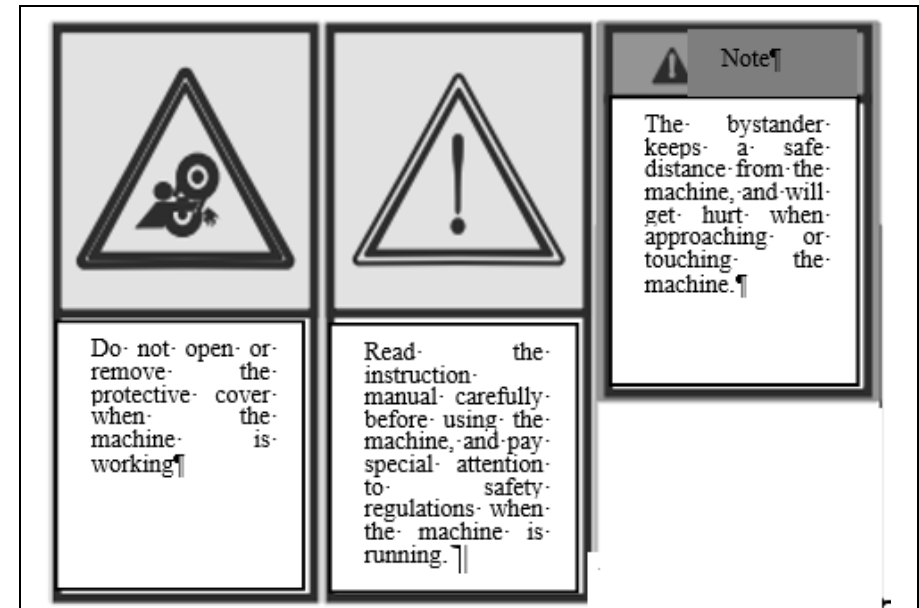


17	2108200001-0001		Three-speed driven gear	1
18	2108300001-0001		Three-speed driving gear	1
19	2115100001-0001		III axis	1
20	2117200005-0001		Second gear driven gear	1
21	2136600001-0001		III shaft long sleeve	1
22	2418500004-0001		Shell/right	1
23	2116800001-0001		Gearbox guard plate	1
24	360040009	GB/T6177.1	Hex flange nut M8	8
25	360720040	GB/T276	Deep groove ball bearing 6206/P6	2
26	2137100001-0001		V shaft sleeve	2
27	2108600001-0001		V-axis driven gear	2
28	2136900001-0001		V-axis connection sleeve	1
29	2104500001-0001		Stop seat	2
30	360220158	GB/T16674.1	Hexagon flange bolt M8x95	2
31	360220043	GB/T16674.1	Hexagon flange bolt M8x40	2
32	2103300002-0001		Steering separation fork	2
33	360800030		Oil seal 15x26x6	4
34	2140700002-0001		Steering separation arm assembly	2
35	360580023	GB/T879.4	Pin 6x24	3
36	360720009	GB/T276	Deep groove ball bearings 6004/P6	2
37	2136300001-0001		IV shaft gasket	2
38	3404700004-0001		Tension loop spring	2
39	2108400001-0001		Steering gear	2
40	360910025	GB/T893	Circlip for hole 42	2
41	2108500001-0001		IV axis driven gear	1
42	2136200001-0001		IV axis	1
43	3410800133-0001		Bushing 20.2x25x15	1
44	2108000001-0001		II axis driving gear	1
45	2136100001-0001		II shaft sleeve	1
46	2114900003-0001		II axis	1
47	360770003	GB/T5846	Needle roller bearings K20x24x13	2
48	2107800001-0001		Auxiliary transmission double gear	1
49	2136400001-0001		II shaft gasket	1
50	2107700001-0001		1R block slip gear	1
51	2107600001-0001		Second and third gear slip gear	1
52	360920064	GB/T894	Circlip for shaft 20	1
53	2115000001-0001		I axis	1
54	2107500001-0001		Auxiliary transmission driven gear	1
55	2138200001-0001		Input shaft and I shaft gasket	1
56	360920043	GB/T894	Circlip for shaft 28	2
57	360770004	GB/T5846	Needle bearing K14x18x13	2

• Gearbox assembly



SL.NO	PART NO.	PART	PART NAME	QTY
1	3409100001-0001		Combined oil seal 30x55x18	2
2	360910017	GB/T893	Circlip for hole 55	2
3	360720012	GB/T276	Deep groove ball bearings 6006/P6	2
4	2427600005-0001		Support base weldment	2
5	360220062	GB/T16674.1	Hex flange bolt M10x20	4
6	2113600024-0001		Output shaft/with walking wheel	2
7	3416100007-0001		O-ring seal 65x2.65	2
8	360220157	GB/T16674.1	Hexagon flange bolt M10x25	4
9	360220040	GB/T16674.1	Hexagon flange bolt M8x20	8
10	360220047	GB/T16674.1	Hexagon flange bolt M8x70	4
11	2418500006-0001		Shell/left	1
12	360720025	GB/T276	Deep groove ball bearings 6203/P6	5
13	2136700001-0001		III shaft short sleeve	1
14	2107900001-0001		1R block driven gear	2
15	2108100001-0001		III axis driven gear	1
16	2136500001-0001		III shaft sleeve	1



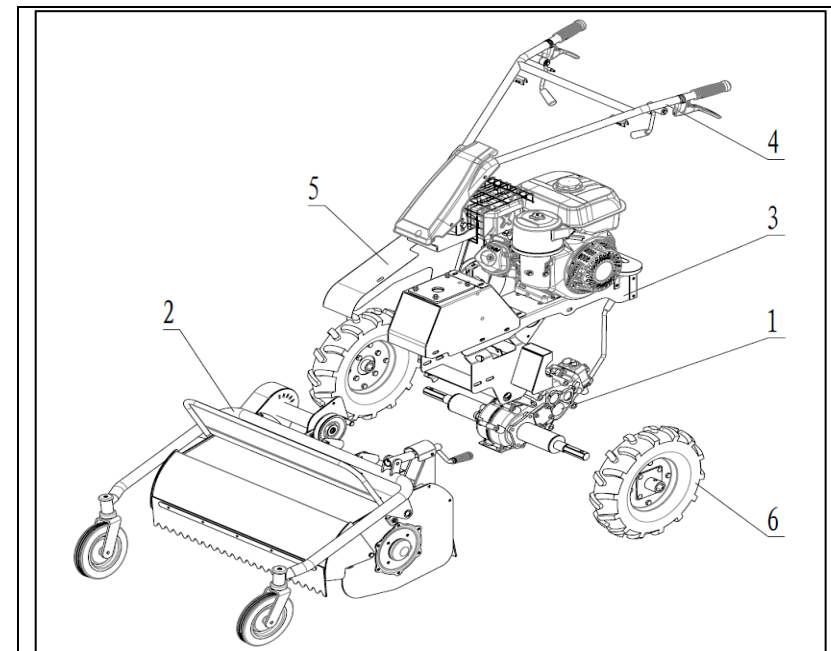
**Chapter III Main Technical Specifications and Configuration Requirements**

**1 Main Technical Specifications**

<b>Model Number</b>		<b>KK-STB-050</b>
Structure		Pre-position
<b>Engine</b>	Engine type	4-Stroke, Petrol Engine
	Rated Power (Kw)	5
	Rated Speed r/min)	3600
	Starting Mode	Recoil Start
	Displacement	302c
	Fuel Tank Capacity	6.5L
	Bore*Stroke	80*60mm
<b>Chopper Specification</b>	Machine Size	1800x800x800mm
	Machine Weight Kg)	180
	Transmission	Belt Drive
	Clutch mode	Tension pulley
	Gear Shifting	3 forward, 1 reverse
	Stub Height mm)	3mm ~8 mm
	Cutting width mm)	700
	Working speed m/s)	0.1~0.3
	Working efficiency (MU/hour)	≥4
	Fuel Consumption kg/hm <sup>2</sup> )	≤35
Tine Number (pcs)	36	
<b>Walking Speed</b>	First Gear (Km/h)	0.98
	Second Gear (Km/h)	1.58
	Third Gear (Km/h)	2.56
	Reverse Gear (Km/h)	1.18

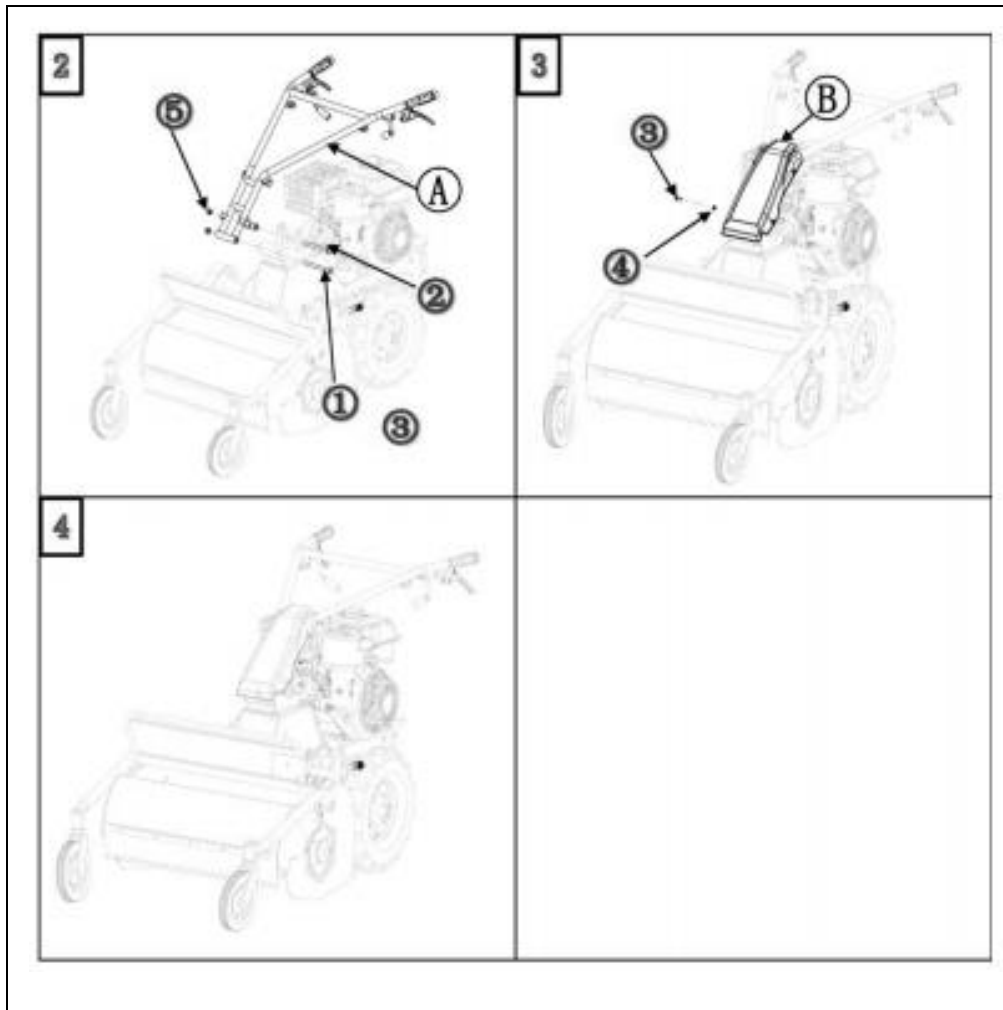
**Part Diagram:**

- Whole machine parts



Sl. No.	Part Name	Qty
1	Gearbox assembly	1
2	Tillage assembly	1
3	Engine and engine bracket parts	1
4	Armrest control Assy	1
5	Pulley and belt guard parts	1
6	Walking wheel assembly	1

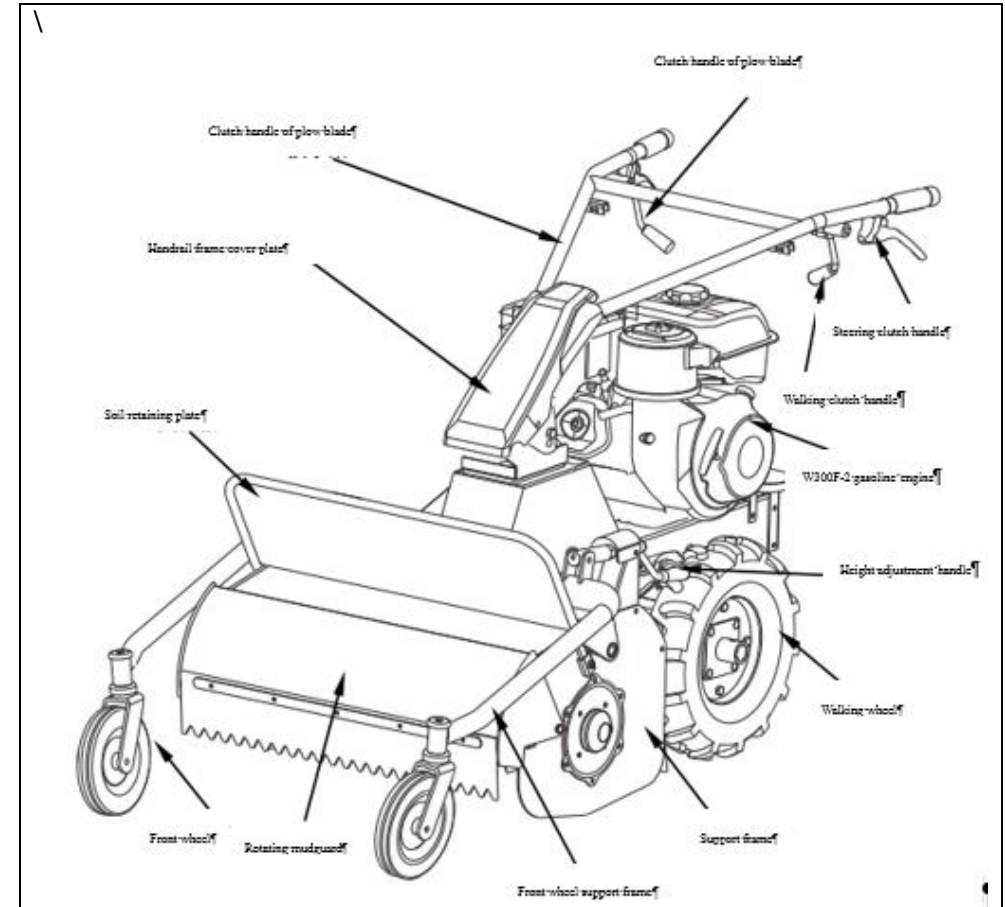




**2 Supporting requirements:**

Power: of gasoline engine, pull plate anti-winding device, oil bath air filter.

**3 Schematic diagram of structure**



### Chapter IV Operating Instructions

When the Stubble Shaver leaves the factory, the factory has made routine adjustments, but before using the machine, users should check and adjust all the institutions so that the Stubble Shaver can be used better.

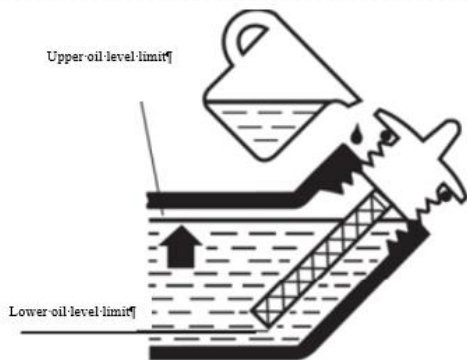
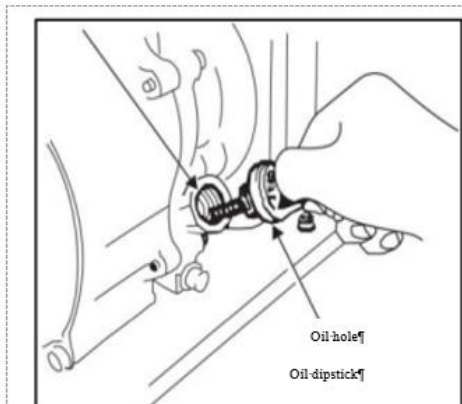
◆1. Daily inspection

- ◇1 Check the engine oil

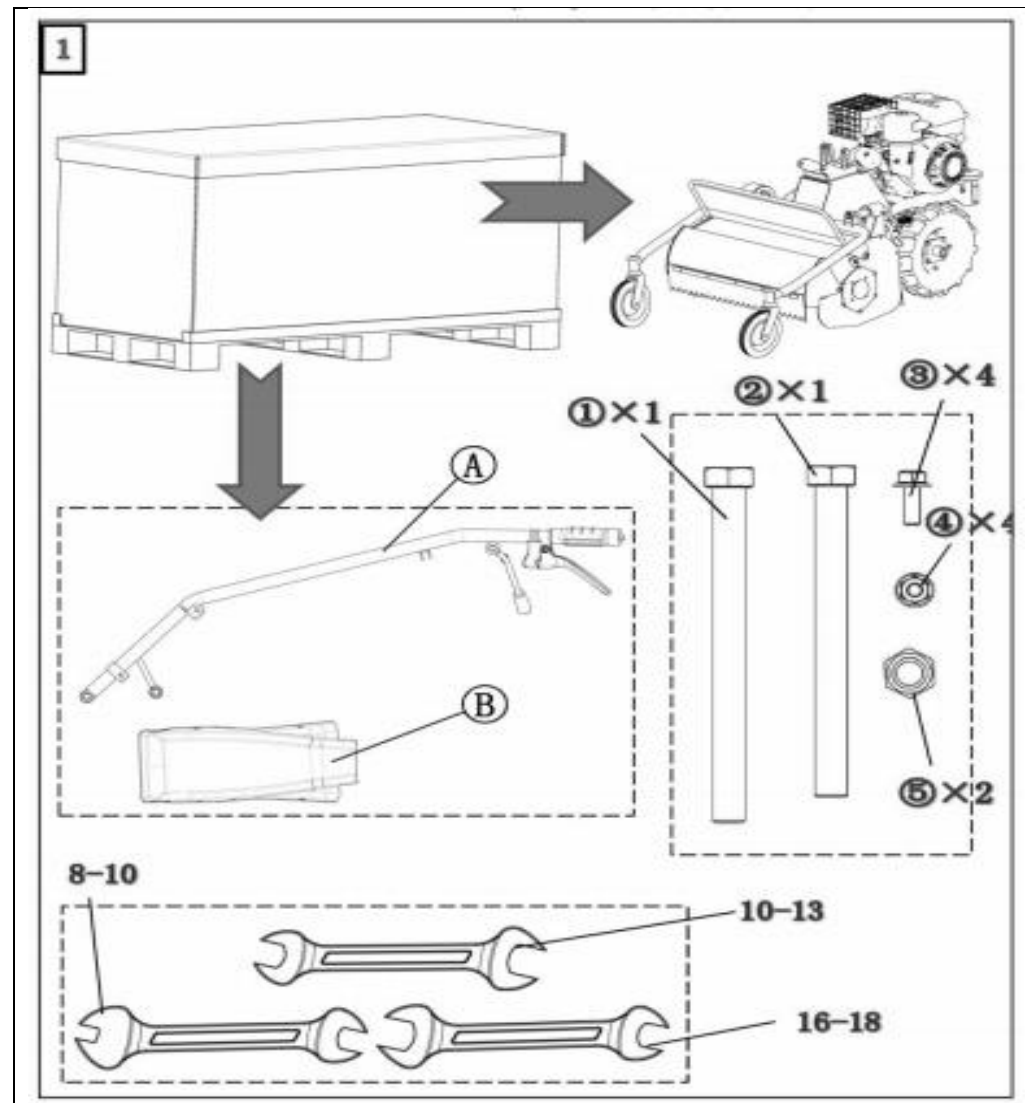
**Note**

The normal refueling volume of engine oil is 1.1L When the oil level is lower than the normal state, using the engine will cause serious damage to the engine!

- ◆ Place the engine in a horizontal position.
- ◆ Unscrew the engine oil dipstick and wipe it clean.
- ◆ Insert the oil dipstick into the oil filling hole (do not turn it).
- ◆ Take out the oil dipstick and check the oil level. It is normal if the oil level is within the range indicated by the oil dipstick.



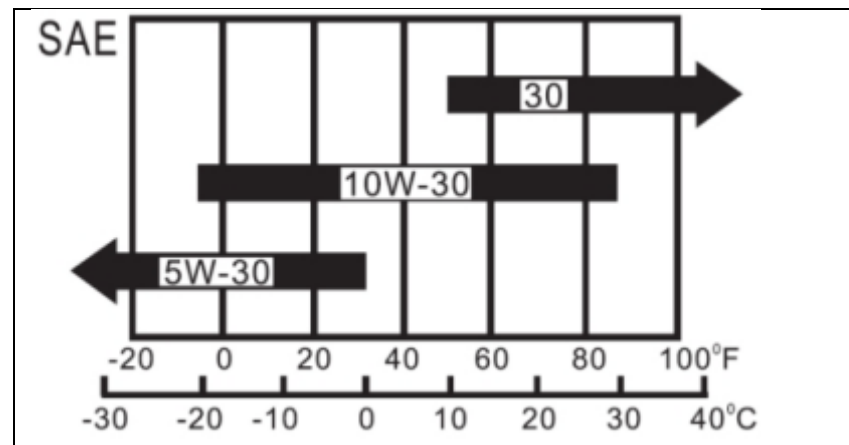
### Machine Installation Guide



**Chapter VII List of Wearable Parts**

No	Part name.	Remarks
1	Flashing blade	Farming parts
2	Belt	drive disk assembly
3	Clutch cable	Control unit
4	Steering cable	Control unit
5	Throttle cable	Control unit
6	Clutch tensioning handle	Control unit
7	Steering clutch handle	Control unit
8	Damping grip	
9	Bearing	
10	Oil seal	
11	Gasket	
12	Mud retaining rubber	Farming parts
13	Oil plug	

**Warning**-This engine is a recommended general engine lubricating oil at common temperatures, and other viscosity lubricating oils can be used when the average temperature in your region is within the range shown in the chart



◇1.2 check the transmission case oil

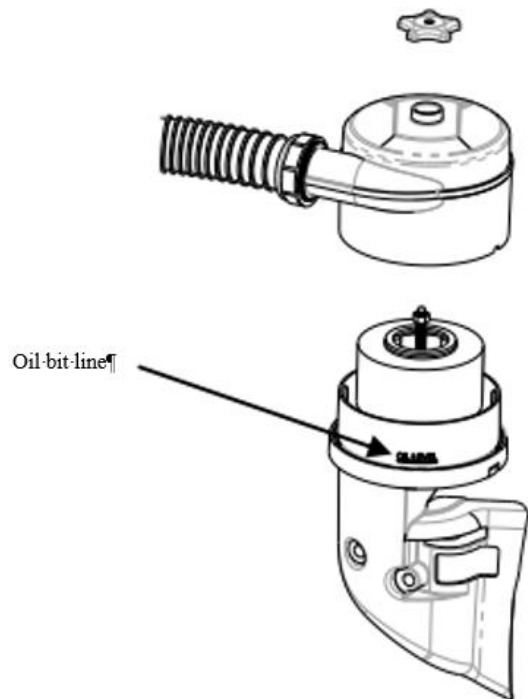
- Place the Stubble Shaver on the horizontal ground and unscrew the oil injection bolt with a wrench.

- The normal oil filling amount is 1.6L, and the normal oil level is at the lower edge of the oil filling hole. If the oil level is too low, add oil to the normal oil level.

- The recommended oil grade is SAE10W-30.

◇1.3 check the air filter

When using it for the first time, take off the air filter cover and fill the oil to the oil level.



### 3 Failure and troubleshooting of transmission box

Phenomenon	Reason	Exclusion method.
Excessive gear noise	The shaft is deformed and bent	Replace shaft
	Dealing with excessive wear side risks and out of tolerance	Replace gears
	The fit between shaft and box body is too loose	Replace shaft or bearing
Output shaft oil leakage	Excessive wear of output bearing hole position	Replace the output shaft or bearing
	Failure of oil seal on output shaft	Replace oil seal
Oil leakage of box body	The box body is provided with hidden micro loose holes	Repair welding or primer to repair leakage
Oil leakage at oil drain hole	The gasket is damaged here	Replace the gasket
	Loose bolts	The Turning

**Note**

A dirty air filter will restrict air from flowing into the carburetor, which will degrade engine performance.

Never run the engine without air filter, otherwise it will accelerate the wear of the engine.

Check the air filter element to ensure it is clean and intact. Clean or replace if necessary

**Chapter VI Common Faults and Troubleshooting Methods**

**1. Engine faults and troubleshooting methods**

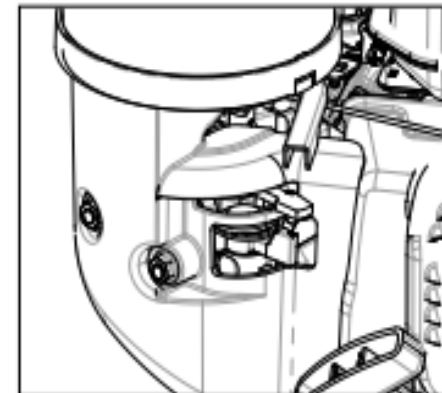
See gasoline engine for details of starting faults and troubleshooting of gasoline engine

**2. Clutch failures and troubleshooting methods**

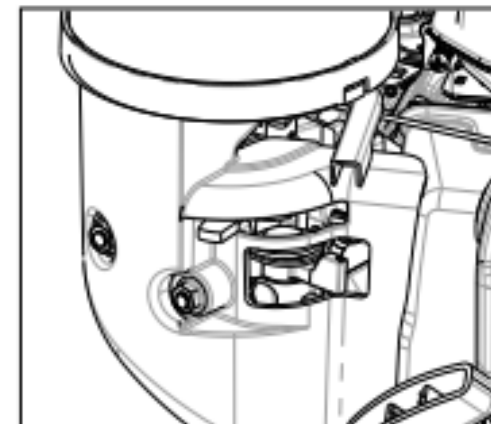
Phenomenon	Reason	Exclusion method
Can't clutch	Clutch handle	Repair or replace
	Clutch cable damaged	Replace
	The belt is damaged	Replace
	Improper adjustment of clutch cable	Re-adjust clutch cable

◆2. Startup steps

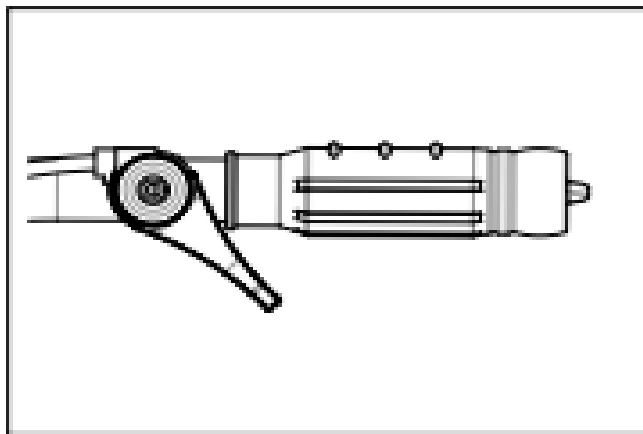
◇1.1 Turn the fuel valve to the "ON" position



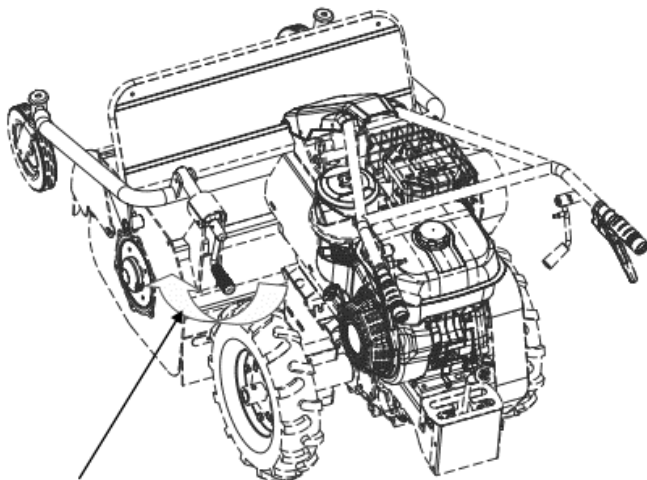
◇1.2 Turn the choke lever to the "CLOSE" position



◇1.3Put the remote throttle switch



3.Height adjustment of cutter part



Rotate the height adjustment handle to adjust the clearance between the blade and the ground

When using the machine, the clearance between the cutter and the ground should be properly adjusted according to the thickness and compactness of crops, and the forward speed should be appropriate according to crops.

◆4. Precautions for long-term storage

In case of long-term storage, in order to prevent corrosion, the following measures should be taken:

- a. Clean the dust and dirt on the exterior.
- b. Drain the lubricating oil in the transmission case and inject new lubricating oil.
- c. Apply anti-rust oil on the unpainted surface.
- d. Store the machine in a ventilated, dry, and safe place indoors.

**Chapter V Scope of Application**

This machine is suitable for weeding in vegetable fields, flowers, orchards, and overgrown wasteland, and can realize the effects of organic circulation, moisture retention and yield increase. The cutter head adopts hanging flail knife, which has the functions of cutting grass and breaking grass, and can meet the weeding operation in complex terrain with overgrown weeds and thorns, and is safe and reliable.

This machine is suitable for cultivated land with a slope less than 5. If the slope is greater than this, it may cause the machine to overturn, and in serious cases, it may cause personal injury.