

but not limited to, loss of use, loss of profits, loss of production, expense of substitute equipment or other commercial loss or damage.

Limitation of Liability: This limited warranty is in lieu of all other express warranties, obligations, or liabilities. Any implied warranties, obligations or liabilities, including, but not limited to, any implied warranty of merchantability shall be limited in duration to the applicable warranty period. Any action for breach of any warranties hereunder, including, but not limited to, any implied warranty of merchantability must be brought within the applicable warranty period.

Modifications of Warranty: No agent, representative, dealer, or employee of KisanKraft Limited or any of its manufacturers has the authority to increase or alter the obligations of this warranty.

Assignment / Transfer of warranty: The warranty cannot be assigned and shall not transfer if the product is resold by the first buyer. The above warranties are extended to the first end user (original purchaser), and no warranty is made, nor authorized to be made assignable on resale by the first end user.

What you must do to obtain limited warranty service: To obtain performance of any obligation under this warranty for failure during the applicable warranty period, you must deliver the defective product, to the nearest Authorized Dealer, along with proof-of-purchase (invoice/receipt). KisanKraft Limited, its manufacturers and its dealers reserve the right to inspect the claimed defective part(s) to determine if the malfunction is the result of a defect covered by this warranty. Please note that the decision of KisanKraft Limited with respect to any warranty claim is final.

After-sales Service (Including Warranty): KisanKraft Limited does not sell directly to consumers. All sales or supplies are made through Authorized Dealers. It is the responsibility of the Authorized Dealer to provide all after-sales service to consumers. Any warranty claim should be raised by dealer to KisanKraft Limited as per warranty policy.

Jurisdiction: All disputes are subject to Bangalore court's jurisdiction.

Notes:

- This purchase is not contingent upon a product demonstration. The purchaser shall satisfy himself with the product, including any product demonstration or verification of any function, before buying. KisanKraft Limited or its authorized dealers, including online sellers, shall not be liable to give any on-site demonstration after purchase of any of the product.
- Any product once used will not be taken back by KisanKraft Limited.
- Warranty and After Sale Services (including but not limited to installation, Demonstration, Repair, Routine Maintenance etc.), should be done through the Authorized Dealer selling this product.
- Dealers should have their own technician to provide After Sales Services to their Customers. KisanKraft Limited provides free training to Authorized Dealer's technicians at KisanKraft Limited's head office, on request from Authorized Dealer.

This warranty is null & void, if you fail to register the warranty with KisanKraft by sending the KisanKraft Copy with dealer's stamp.

Product	AGRICULTURAL PORTABLE SPRAYER	KisanKraft Invoice Date	
Brand	KisanKraft	KisanKraft Invoice No.	
Model	<input type="checkbox"/> KK-PBS-299 <input type="checkbox"/> KK-PBS-399		
WARRANTY PERIOD	6 MONTHS	FOR THE SPECIFIED PERIOD FROM THE DATE OF SALE OR DELIVERY WHICHEVER IS EARLIER.	
Dealer's Invoice Date		Dealer's Invoice No.	
Buyer's Info (Name, Address, Phone, etc.):		Dealer's Stamp (Address, Phone, TIN, etc.):	
Buyer's Sign		Dealer's Sign	

Warranty Policy

What is covered: KisanKraft Limited and its manufacturers warrant this product to be free from defects in material or workmanship. All parts defective in material and workmanship are covered. This warranty will only cover defects arising under normal usage.

This warranty is limited to repair or replacement by KisanKraft Limited or its manufacturers of such parts as appear to KisanKraft or its manufacturers, upon inspection, to be defective in material and/or workmanship. KisanKraft and its manufacturers make no warranty with respect to items not manufactured or sold by them. No onsite warranty is provided by KisanKraft Limited or its manufacturers. Defective items must be brought/sent to our Authorized Dealer or KisanKraft Limited's office for service.

What is not covered: The *warranty shall become null and void* and neither KisanKraft Limited nor any of its manufacturers, nor its authorized dealers assume any responsibility, if the failure was caused by the following:

- (1) Operation of product with incorrect fuel or lubricants, (2) Incorrect usage of machine or misuse, (3) Lack of maintenance, (4) Negligence, (5) Accident or physical damage, (6) Repairs made by unauthorized parties and/or with unauthorized parts, (7) Improper set up, adjustments, tampering or altered products (8) Any modification to the product what-so-ever.

Important: (1) Normal maintenance and adjustments to the product is the responsibility of the customer. (2) Normal wear and tears are not covered under warranty. (3) Rubber/plastic parts and consumables such as blades, clutch and clutch-bell, sparkplugs, nylon line, air-filters, fuel-filters, oil seals and gaskets etc. are not covered under the warranty. (4) Electrical Motor, Electrical Parts, Battery Etc. are not covered under the warranty.

Incidental / Consequential Loss: KisanKraft Limited or its manufacturers will not be liable for general damages, including bodily injuries, or for incidental or consequential damages including,



Warranty Certificate

(DEALER COPY)

but not limited to, loss of use, loss of profits, loss of production, expense of substitute equipment or other commercial loss or damage.

Limitation of Liability: This limited warranty is in lieu of all other express warranties, obligations, or liabilities. Any implied warranties, obligations, or liabilities, including, but not limited to, any implied warranty of merchantability shall be limited in duration to the applicable warranty period. Any action for breach of any warranties hereunder, including, but not limited to, any implied warranty of merchantability must be brought within the applicable warranty period.

Modifications of Warranty: No agent, representative, dealer, or employee of KisanKraft Limited or any of its manufacturers has the authority to increase or alter the obligations of this warranty.

Assignment / Transfer of warranty: The warranty cannot be assigned and shall not transfer if the product is resold by the first buyer. The above warranties are extended to the first end user (original purchaser), and no warranty is made, nor authorized to be made assignable on resale by the first end user.

What you must do to obtain limited warranty service: To obtain performance of any obligation under this warranty for failure during the applicable warranty period, you must deliver the defective product, to the nearest Authorized Dealer, along with proof-of-purchase (invoice/receipt). KisanKraft Limited, its manufacturers and its dealers reserve the right to inspect the claimed defective part(s) to determine if the malfunction is the result of a defect covered by this warranty. Please note that the decision of KisanKraft Limited with respect to any warranty claim is final.

After-sales Service (Including Warranty): KisanKraft Limited does not sell directly to consumers. All sales or supplies are made through Authorized Dealers. It is the responsibility of the Authorized Dealer to provide all after-sales service to consumers. Any warranty claim should be raised by the dealer to KisanKraft Limited as per warranty policy.

Jurisdiction: All disputes are subject to Bangalore court's jurisdiction.

Notes:

This purchase is not contingent upon a product demonstration. The purchaser shall satisfy himself with the product, including any product demonstration or verification of any function, before buying. KisanKraft Limited and its authorized dealers, including online sellers, shall not be liable to give any on-site demonstration after purchase of any of the products.

Any product once used will not be taken back by KisanKraft Limited.

Warranty and After Sale Services (including but not limited to installation, Demonstration, Repair, Routine Maintenance etc.), should be done through the Authorized Dealer selling this product.

Dealers should have their own technician to provide After Sales Services to their Customers. KisanKraft Limited provides free training to Authorized Dealer's technicians at KisanKraft Limited's head office, on request from Authorized Dealer.



Warranty Certificate

(KISANKRAFT COPY)

Product	Agricultural Portable Sprayer	KisanKraft Invoice Date	
Brand	KisanKraft	KisanKraft Invoice No.	
Model	<input type="checkbox"/> KK-PBS-299 <input type="checkbox"/> KK-PBS-399		
WARRANTY PERIOD	6 MONTHS	FOR THE SPECIFIED PERIOD FROM THE DATE OF SALE OR DELIVERY WHICHEVER IS EARLIER.	
Dealer's Invoice Date		Dealer's Invoice No.	
Buyer's Info (Name, Address, Phone, etc.):		Dealer's Stamp (Address, Phone, TIN, etc.):	
Buyer's Sign		Dealer's Sign	

Warranty Policy

What is covered: KisanKraft Limited and its manufacturers warrant this product to be free from defects in material or workmanship. All parts defective in material and workmanship are covered. This warranty will only cover defects arising under normal usage.

This warranty is limited to repair or replacement by KisanKraft Limited or its manufacturers of such parts as appear to KisanKraft or its manufacturers, upon inspection, to be defective in material and/or workmanship. KisanKraft or its manufacturers make no warranty with respect to items not manufactured or sold by them. No onsite warranty is provided by KisanKraft Limited or its manufacturers. Defective items must be brought/sent to our Authorized Dealer or KisanKraft Limited's office for service.

What is not covered: The warranty shall become null and void and neither KisanKraft Limited nor any of its manufacturers, nor its authorized dealers assumes any responsibility, if the failure was caused by the following:

- (1) Operation of product with incorrect fuel or lubricants,
- (2) Incorrect usage of machine or misuse,
- (3) Lack of maintenance,
- (4) Negligence,
- (5) Accident or physical damage,
- (6) Repairs made by unauthorized parties and/or with unauthorized parts,
- (7) Improper set up, adjustments, tampering or altered products
- (8) Any modification to the product what-so-ever.

Important: (1) Normal maintenance and adjustments to the product is the responsibility of the customer. (2) Normal wear and tear are not covered under warranty. (3) Rubber/plastic parts and consumables such as blades, clutch and clutch-bell, sparkplugs, nylon line, air-filters, fuel-filters, oil seals and gaskets etc. are not covered under the warranty. (4) Electrical Motor, Electrical Parts, Battery Etc. are not covered under the warranty.

Incidental / Consequential Loss: KisanKraft Limited or its manufacturers will not be liable for general damages, including bodily injuries, or for incidental or consequential damages including,

This warranty is null & void, if you fail to register the warranty with KisanKraft by sending the KisanKraft Copy with dealer's stamp.

Wide Range of Products for Every Need



User Manual



KisanKraft Limited

Warehouse: 818 3B1 to 818 3B18, Podalukur - Sangam Road, Prabagiripatnam, Podalukur, Nellore - 524345, Andhra Pradesh, INDIA

Head Office: #4, 1st Main, 7-A Cross, Maruthi Layout, Dasarahalli, HAF Post, Hebbal, Bangalore 560024, Karnataka, INDIA

- ◆ Bangalore (HO) ◆ Ahmedabad ◆ Bhopal ◆ Bhubaneswar ◆ Coimbatore
- ◆ Guwahati ◆ Hubli ◆ Hyderabad ◆ Jaipur ◆ Karnal
- ◆ Kolkata ◆ Lucknow ◆ Nellore ◆ Pune ◆ Raipur

For more information give **MISSED CALL: 07676065555**



Many of our products have BIS: ISI certification.



Scan the QR code to download
KisanKraft App

App is available on



Scan the QR code for
KisanKraft Youtube Channel

CONTENTS

BEFORE GETTING STARTED.....	7
PRODUCT INTRODUCTION.....	7
SAFETY INFORMATION.....	8
STRUCTURE, WORKING PRINCIPLE & CHARACTERISTICS	9
OPERATION INSTRUCTIONS (MANUAL).....	10
OPERATION INSTRUCTIONS (BATTERY).....	11
TECHNICAL SPECIFICATION	12
TROUBLESHOOTING.....	13
PART DIAGRAM KK-PBS-299	14
PART DIAGRAM KK-PBS-399	15

KisanKraft has a large range of products to serve the farmers. A list of our products is given below:

<p>Brush Cutters and Accessories</p> <ul style="list-style-type: none"> Brush Cutter/Power Weeder Backpack Brush Cutter Tea Pruner Pole pruner with Engine Reaper Attachment Blades-Circular Blades (2 &3 points) Baffle Nylon Rope Tap & Go <p>Chainsaws</p> <ul style="list-style-type: none"> Petrol Chainsaw Electric Chainsaw Chain Sharpening Machine <p>Engines and Water Pumps</p> <ul style="list-style-type: none"> Engine –Diesel-(Horizontal) Engine –Diesel(Vertical) Engine-Kerosene Water Pump with Petrol Engine Water Pump with Kerosene Engine Water Pump with Diesel Engine <p>Hand Tools</p> <ul style="list-style-type: none"> Secateurs Folding Saw Garden Rake Garden Shovel Hedge Shear Lopper Telescopic Hedge Shear Telescopic Lopping Shear Tree Pruner Telescopic Steel Pipe & Fruit Picker Bag Sheep Shear <p>Garden Tools</p> <ul style="list-style-type: none"> Electric Pressure Washer Hedge Trimmer Lawn Mower (Electric, Petrol & Manual) Leaf Blower 	<p>Cultivators and Accessories</p> <ul style="list-style-type: none"> Petrol and Diesel <p>Sprayers and Accessories</p> <ul style="list-style-type: none"> Battery Sprayer Portable Power Sprayer Trolley Sprayer Manual Knapsack Sprayer Manual Pressure Sprayer Rose Cans Hose Crimping Machine HTP Sprayer HTP Delivery Hose HTP Hose Reel HTP Stand HTP Gun / Lance(Brass Rod) Knapsack Power Sprayer Mister / Duster / Granuel Spreader HTP Sprayer Set with Diesel Engine HTP Sprayer Set with Kerosene Engine Fogging Machine <p>Milking Machine</p> <ul style="list-style-type: none"> Wood Shredder Fodder Ensiling Chaff Cutter Fodder Grinder Chaff Cutter Fodder Mini Chaff Cutter <p>Harvester</p> <ul style="list-style-type: none"> Maize Sheller Maize Sheller + Dehusker Maize Combine Harvester Onion Digger Carlotti Italy Tea Leaf Harvester Sugarcane Combine Harvester Sugarcane Leaf Stripper <p>Transplanter and Post Hole Digger</p> <ul style="list-style-type: none"> Paddy Transplanter (2 & 8 Rows) Transplanter-Vegetable & Tobacco Post Hole Digger(4" to 14" Augers)
---	---

Parts List	
1	
2	Outlet Connector
3	O Ring
4	Plastic Body
5	Control Panel
6	Regulator
7	On/Off Switch
8	Power Screen
9	Socket
10	Screw
11	Battery Box Upper Cover
12	Screw
13	Screw
14	Plastic Body
15	Batter Box
16	Belt Of Battery
17	Battery
18	Battery Box Door
19	Motor
20	Charger
21	Screw
22	Copper Sheet
23	Spring
24	Filter
25	Inlet Hose
26	Battery Baffle

This warranty is null & void, if you fail to register the warranty with KisanKraft by sending the KisanKraft Copy with dealer's stamp.

🌐: www.kisankraft.com ✉: info@kisankraft.com ☎: +91.80. 6835 7800

Product	AGRICULTURAL PORTABLE SPRAYER	KisanKraft Invoice Date	
Brand	KisanKraft	KisanKraft Invoice No.	
Model	<input type="checkbox"/> KK-PBS-299 <input type="checkbox"/> KK-PBS-399		
WARRANTY PERIOD	6 MONTHS	FOR THE SPECIFIED PERIOD FROM THE DATE OF SALE OR DELIVERY WHICHEVER IS EARLIER.	
Dealer's Invoice Date		Dealer's Invoice No.	
Buyer's Info (Name, Address, Phone, etc.):		Dealer's Stamp (Address, Phone, TIN, etc.):	
Buyer's Sign		Dealer's Sign	

Warranty Policy

What is covered: KisanKraft Limited and its manufacturers warrant this product to be free from defects in material or workmanship. All parts defective in material and workmanship are covered. This warranty will only cover defects arising under normal usage. This warranty is limited to repair or replacement by KisanKraft Limited or its manufacturers of such parts as appear to KisanKraft or its manufacturers, upon inspection, to be defective in material and/or workmanship. KisanKraft and its manufacturers make no warranty with respect to items not manufactured or sold by them. No onsite warranty is provided by KisanKraft Limited or its manufacturers. Defective items must be brought/sent to our Authorized Dealer or KisanKraft Limited's office for service.

What is not covered: The *warranty shall become null and void* and neither KisanKraft Limited nor any of its manufacturers, nor its authorized dealers assume any responsibility, if the failure was caused by the following:

- (1) Operation of product with incorrect fuel or lubricants, (2) Incorrect usage of machine or misuse, (3) Lack of maintenance, (4) Negligence, (5) Accident or physical damage, (6) Repairs made by unauthorized parties and/or with unauthorized parts, (7) Improper set up, adjustments, tampering or altered products (8) Any modification to the product what-so-ever.

Important: (1) Normal maintenance and adjustments to the product is the responsibility of the customer. (2) Normal wear and tears are not covered under warranty. (3) Rubber/plastic parts and consumables such as blades, clutch and clutch-bell, sparkplugs, nylon line, air-filters, fuel-filters, oil seals and gaskets etc. are not covered under the warranty. (4) Electrical Motor, Electrical Parts, Battery Etc. are not covered under the warranty.

This warranty is null & void, if you fail to register the warranty with KisanKraft by sending the KisanKraft Copy with dealer's stamp.

🌐: www.kisankraft.com ✉: info@kisankraft.com ☎: +91.80. 6835 7800

Incidental / Consequential Loss: KisanKraft Limited or its manufacturers will not be liable for general damages, including bodily injuries, or for incidental or consequential damages including, but not limited to, loss of use, loss of profits, loss of production, expense of substitute equipment or other commercial loss or damage.

Limitation of Liability: This limited warranty is in lieu of all other express warranties, obligations, or liabilities. Any implied warranties, obligations or liabilities, including, but not limited to, any implied warranty of merchantability shall be limited in duration to the applicable warranty period. Any action for breach of any warranties hereunder, including, but not limited to, any implied warranty of merchantability must be brought within the applicable warranty period.

Modifications of Warranty: No agent, representative, dealer, or employee of KisanKraft Limited or any of its manufacturers has the authority to increase or alter the obligations of this warranty.

Assignment / Transfer of warranty: The warranty cannot be assigned and shall not transfer if the product is resold by the first buyer. The above warranties are extended to the first end user (original purchaser), and no warranty is made, nor authorized to be made assignable on resale by the first end user.

What you must do to obtain limited warranty service: To obtain performance of any obligation under this warranty for failure during the applicable warranty period, you must deliver the defective product, to the nearest Authorized Dealer, along with proof-of-purchase (invoice/receipt). KisanKraft Limited, its manufacturers and its dealers reserve the right to inspect the claimed defective part(s) to determine if the malfunction is the result of a defect covered by this warranty. Please note that the decision of KisanKraft Limited with respect to any warranty claim is final.

After-sales Service (Including Warranty): KisanKraft Limited does not sell directly to consumers. All sales or supplies are made through Authorized Dealers. It is the responsibility of the Authorized Dealer to provide all after-sales service to consumers. Any warranty claim should be raised by the dealer to KisanKraft Limited as per warranty policy.

Jurisdiction: All disputes are subject to Bangalore court's jurisdiction.

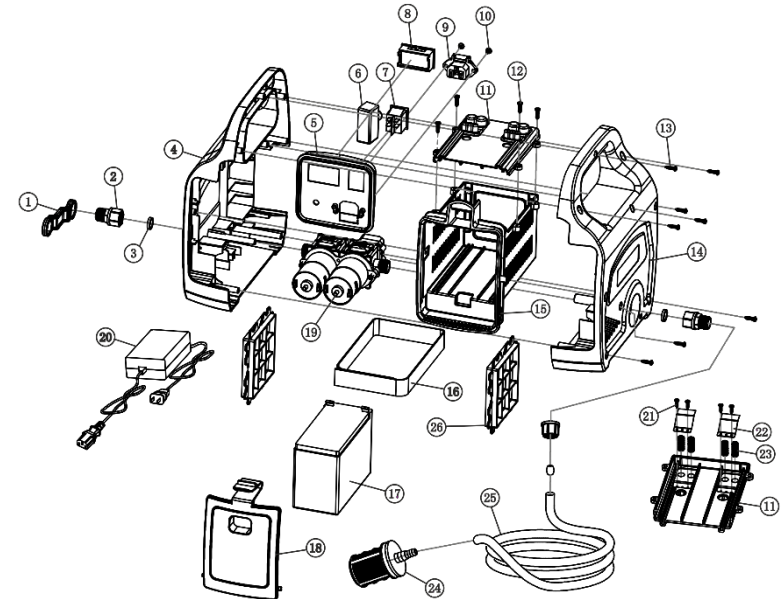
Notes:

- This purchase is not contingent upon a product demonstration. The purchaser shall satisfy himself with the product, including any product demonstration or verification of any function, before buying. KisanKraft Limited or its authorized dealers, including online sellers, shall not be liable to give any on-site demonstration after purchase of any of the products.
- Any product once used will not be taken back by KisanKraft Limited.
- Warranty and After Sale Services (including but not limited to installation, Demonstration, Repair, Routine Maintenance etc.), should be done through the Authorized Dealer selling this product.
- Dealers should have their own technician to provide After Sales Services to their Customers. KisanKraft Limited provides free training to Authorized Dealer's technicians at KisanKraft Limited's head office, on request from Authorized Dealer.

This warranty is null & void, if you fail to register the warranty with KisanKraft by sending the KisanKraft Copy with dealer's stamp.

🌐: www.kisankraft.com ✉: info@kisankraft.com ☎: +91.80. 6835 7800

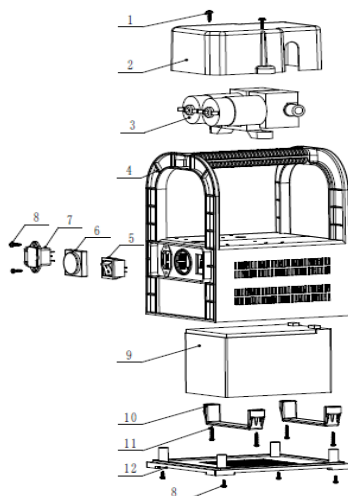
PART DIAGRAM KK-PBS-399



This warranty is null & void, if you fail to register the warranty with KisanKraft by sending the KisanKraft Copy with dealer's stamp.

🌐: www.kisankraft.com ✉: info@kisankraft.com ☎: +91.80. 6835 7800

PART DIAGRAM KK-PBS-299



Part No	Part Name
1	Screws
2	Cover
3	Double motor
4	Body
5	On/off button
6	Pressure gage
7	Charger seat
8	Screws
9	Battery
10	Battery holder
11	Screws
12.	Base plate

BEFORE GETTING STARTED

Thank you for your purchase and use of our products. In order to avoid accidents or injury, **please read this manual carefully** before using. After reading, preserve it for further reference.

PRODUCT INTRODUCTION

The battery sprayer use rechargeable battery as power source, adopts advanced non-metal membrane pump, has the characters of energy saving & environmental protection, be against chemical corrosion, automatic demand starts and handles the diversity of fluid, intermittently work with low rate of flow and low energy consumption, has high pressure, even spraying, good atomization effect, without contamination. It also has reduced the labor intensity of operator greatly, and meantime the spraying effect has doubled when compared to ordinary sprayer. Once the battery is charged for 8 hrs., it can continually work for 7-8 hours, this saves cost a lot when compared to power sprayers (using engine). The battery sprayer is equipped with single and double nozzles which can increase spraying speed and working efficiency.

It is widely used in the prevention and treating plant diseases of various crops such as paddy, cotton, flowers, tobacco, tea, horticulture and greenhouse & shed, and may also be used to disinfect and exclude mosquito and sterilization in public places.

This warranty is null & void, if you fail to register the warranty with KisanKraft by sending the KisanKraft Copy with dealer's stamp.

🌐: www.kisankraft.com ✉: info@kisankraft.com ☎: +91.80. 6835 7800

This warranty is null & void, if you fail to register the warranty with KisanKraft by sending the KisanKraft Copy with dealer's stamp.

🌐: www.kisankraft.com ✉: info@kisankraft.com ☎: +91.80. 6835 7800

SAFETY INFORMATION

Please read the user manual carefully. Using the sprayer under dangerous conditions may result in hazards to the individual natural objects. You must read carefully and follow safety precautions to ensure personal safety and safety of others.

1. Improper use of this product may cause serious harm. Children and minors (below 18 years of age) are forbidden to use this product.
2. It is prohibited to spray on humans or animals.
3. Don't place the product in an unattended place. Turn off the battery supply if it is idle for a long time.
4. Don't store poisonous liquid chemicals in the sprayer.
5. Keep the sprayer out of reach of direct sun rays.
6. Don't disassemble or refit the product by yourself.

This warranty is null & void, if you fail to register the warranty with KisanKraft by sending the KisanKraft Copy with dealer's stamp.

🌐: www.kisankraft.com ✉: info@kisankraft.com ☎: +91.80. 6835 7800

TROUBLESHOOTING

Problem	Probable cause	Solution
The sprayer cannot be started or stopped working suddenly.	<ol style="list-style-type: none"> 1. The battery has no charge or bad connection. 2. Battery operated protector break the contact as the machine is too hot. 	<ol style="list-style-type: none"> 1. Check the lines and fix the plug correctly. 2. Don't use the sprayer until the battery part cools down
The liquid can't spray out through the nozzle, or the pressure is unstable	<ol style="list-style-type: none"> 1. Holes of the nozzle got blocked. 2. Air in tube 3. A blockage in the water pump 4. Water suction tube is broken 	<ol style="list-style-type: none"> 1. Dismantle and wash the nozzle. 2. Check the tube to find the leaking place, screw tightly to expel air. 3. Dismantle the water pump's cover and clean it. 4. Replace the tube.
Low pressure	<ol style="list-style-type: none"> 1. The filter net in the tank mouth or in the spraying switch is blocked. 2. Battery is out of power 	<ol style="list-style-type: none"> 1. Wash the filter net. 2. Charge the battery.
Joint is leaking	<ol style="list-style-type: none"> 1. The joints are loose. 2. Rubber seal is broken 	<ol style="list-style-type: none"> 1. Tighten the screws. 2. Replace the rubber seal
Spraying is not proper	<ol style="list-style-type: none"> 1. The nozzle is blocked. 2. The core of nozzle is broken 	<ol style="list-style-type: none"> 1. Clean the nozzle. 2. Replace the core

This warranty is null & void, if you fail to register the warranty with KisanKraft by sending the KisanKraft Copy with dealer's stamp.

🌐: www.kisankraft.com ✉: info@kisankraft.com ☎: +91.80. 6835 7800

TECHNICAL SPECIFICATION

Model	KK-PBS-299	KK-PBS-399
Operation type	Battery	Battery
Battery	12V-12AH SEALED-LEAD ACID BATTERY	12V Nom. (9-14.4V)
Charger	1.7 A	6.0 A
Additional features	Robust construction, Heavy-duty, High-Speed Double Motor, Heavy duty tank	Portable Sprayer Double Motor 10 Meter Power Sprayer Hose ,Brass Connector Brass Double Handle

STRUCTURE, WORKING PRINCIPLE & CHARACTERISTICS

Structure: The machine is composed of the following:

1. Container of liquid
2. Pump and air chamber
3. Spraying system (including rubber hose and components, switch, sprayer spindle and head)
4. Operation arm and components
5. Backpack belt system

Working principle: By swinging the operation arm and components, the pump bowl rises up and down which allows the sealing ball to turn on and off. This in turn makes the pressure in the air chamber rise up and down which then forces the medicinal liquid into the chamber, the liquid can then go through the spraying system and spurt out as spray.

Characteristics:

1. The external form is an imitation of the human backs curve and the combination of the air chamber and pump located in the liquid container makes the whole structure compact and safe with no leakage.
2. The operation arm uses an action connecting style so that it can be installed on both sides (mutually changeable). Thus, It is convenient and quick in action and the user can operate it accordingly with the right or left hand reducing the labor intensity.
3. Various spray heads can be fitted for use in different tasks, to achieve a fine spray and sprinkle effects.
4. The chosen materials for the machine are resistant to acid, alkalinity, and corrosion. The machine is sealed hermetically and is very durable.

This warranty is null & void, if you fail to register the warranty with KisanKraft by sending the KisanKraft Copy with dealer's stamp.

🌐: www.kisankraft.com ✉: info@kisankraft.com ☎: +91.80. 6835 7800

This warranty is null & void, if you fail to register the warranty with KisanKraft by sending the KisanKraft Copy with dealer's stamp.

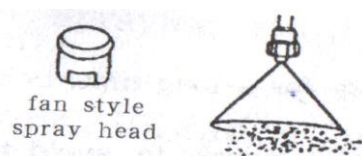
🌐: www.kisankraft.com ✉: info@kisankraft.com ☎: +91.80. 6835 7800

OPERATION INSTRUCTIONS (MANUAL)

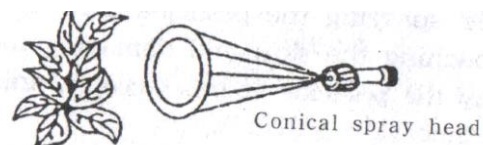
After the packing box of the new machine is opened, please check all the parts conform to the packing list. Then assemble the machine as per the structure sketch. Before use, please wrench the cap off the container. Pour the compounded medicinal liquid through the filter into the container slowly, then close the cap tightly and put the machine on your back. After the pressure in the air chamber is boosted swing the operation arm and then press the switch component to begin spray operation. It can be point-spray, or it can be continuous spray. At the same time adjust the nut according to the requirement of the crops in order to improve the quality of spraying.

Choose the different spray-head for spraying correctly. Accompanying with the machine delivered there are 3 kinds of spray heads:

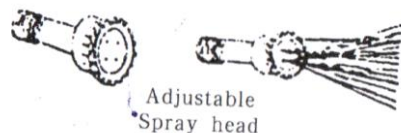
Fan style spray: These sprays evenly and is suitable for spraying on low and short stalked crops and for the spraying of weed killer. Keep the spray head stable and spray in the same direction as the wind.



Conical spray head: This can be used for spraying pesticide and insecticide, to prevent diseases and kill insects. Spray in the same direction as the wind.



4 Hole adjustable spray: This can be used for spraying on the high stalk crops and fruit trees. Its shortcoming is the serious running off the medicinal liquid.



This warranty is null & void, if you fail to register the warranty with KisanKraft by sending the KisanKraft Copy with dealer's stamp.

🌐: www.kisankraft.com ✉: info@kisankraft.com ☎: +91.80. 6835 7800

OPERATION INSTRUCTIONS (BATTERY)

1. Before using the sprayer, firstly you should charge the battery and connect its connector plugs to electrical charging supply with rating pressure 220v till indicator light turns green. It may take about 24 hours for the first time.
2. Don't use insoluble powder, else the deposit may lock the filter net. Use liquid chemicals only.
3. The temperature of the spraying liquid should not exceed 43°C(110°F)
4. Users must use filter net to prevent impurity entering into the tank, which could cause blockage and cause malfunction in this equipment.
5. Clean the overflow/spilled liquid chemicals on time. Take the battery out and clean it with dry cloth at once if it touches the liquid.
6. Screw the lid tightly after filling the tank to capacity.
7. Turn on the battery supply, press the spraying switch, it would spray in few second, and it would stop spraying when you unloose handle. Please turn off the battery supply when there is no liquid as the equipment will go on working. Also, we designed the function of automatic locking in handle to reduce human fatigue.
8. Spray remaining liquid to safety place after turning off battery supply.
9. Operators should clean the residue in water tank and water pump with clean fresh water.
10. To preserve the sprayer, please make sure there is no remaining water especially when it is used in cold areas.
11. Charge up the battery especially after using.(charge up the battery once in every 3 months if it is idle for a long time)

This warranty is null & void, if you fail to register the warranty with KisanKraft by sending the KisanKraft Copy with dealer's stamp.

🌐: www.kisankraft.com ✉: info@kisankraft.com ☎: +91.80. 6835 7800