

damages including, but not limited to, loss of use, loss of profits, loss of production, expense of substitute equipment or other commercial loss or damage.

**Limitation of Liability:** This limited warranty is in lieu of all other express warranties, obligations, or liabilities. Any implied warranties, obligations or liabilities, including, but not limited to, any implied warranty of merchantability shall be limited in duration to the applicable warranty period. Any action for breach of any warranties hereunder, including, but not limited to, any implied warranty of merchantability must be brought within the applicable warranty period.

**Modifications of Warranty:** No agent, representative, dealer, or employee of KisanKraft Limited or any of its manufacturers has the authority to increase or alter the obligations of this warranty.

**Assignment / Transfer of warranty:** The warranty cannot be assigned and shall not transfer if the product is resold by the first buyer. The above warranties are extended to the first end user (original purchaser), and no warranty is made, nor authorized to be made assignable on resale by the first end user.

**What you must do to obtain limited warranty service:** To obtain performance of any obligation under this warranty for failure during the applicable warranty period, you must deliver the defective product, to the nearest Authorized Dealer, along with proof-of-purchase (invoice/receipt). KisanKraft Limited, its manufacturers and its dealers reserve the right to inspect the claimed defective part(s) to determine if the malfunction is the result of a defect covered by this warranty. Please note that the decision of KisanKraft Limited with respect to any warranty claim is final.

**After-sales Service (Including Warranty):** KisanKraft Limited does not sell directly to consumers. All sales or supplies are made through Authorized Dealers. It is the responsibility of the Authorized Dealer to provide all after-sales service to consumers. Any warranty claim should be raised by dealer to KisanKraft Limited as per warranty policy.

**Jurisdiction:** All disputes are subject to Bangalore court's jurisdiction.

**Notes:**

- This purchase is not contingent upon a product demonstration. The purchaser shall satisfy himself with the product, including any product demonstration or verification of any function, before buying. KisanKraft Limited or its authorized dealers, including online sellers, shall not be liable to give any on-site demonstration after purchase of any of the product.
- Any product once used will not be taken back by KisanKraft Limited.
- Warranty and After Sale Services (including but not limited to installation, Demonstration, Repair, Routine Maintenance etc.), should be done through the Authorized Dealer selling this product.
- Dealers should have their own technician to provide After Sales Services to their Customers. KisanKraft Limited provides free training to Authorized Dealer's technicians at KisanKraft Limited's head office, on request from Authorized Dealer.

**This warranty is null & void, if you fail to register the warranty with KisanKraft by sending the KisanKraft Copy with dealer's stamp.**

**KisanKraft Limited**

Product	<b>THERMAL FOGGING SPRAYER</b>	KisanKraft Invoice Date	
Brand	<b>KisanKraft</b>	KisanKraft Invoice No.	
Model	<b>☐ KK-TF 8610</b>		
<b>WARRANTY PERIOD</b>	<b>6 MONTHS</b>	FOR THE SPECIFIED PERIOD FROM THE DATE OF SALE OR DELIVERY WHICHEVER IS EARLIER.	
Dealer's Invoice Date		Dealer's Invoice No.	
Buyer's Info (Name, Address, Phone, etc.):		Dealer's Stamp (Address, Phone, TIN, etc.):	
Buyer's Sign		Dealer's Sign	

**Warranty Policy**

**What is covered:** KisanKraft Limited and its manufacturers warrant this product to be free from defects in material or workmanship. All parts defective in material and workmanship are covered.

This warranty will only cover defects arising under normal usage.

This warranty is limited to repair or replacement by KisanKraft Limited or its manufacturers of such parts as appear to KisanKraft or its manufacturers, upon inspection, to be defective in material and/or workmanship. KisanKraft or its manufacturers make no warranty with respect to items not manufactured or sold by them. No onsite warranty is provided by KisanKraft Limited or its manufacturers. Defective items must be brought/sent to our Authorized Dealer or KisanKraft Limited's office for service.

**What is not covered:** The *warranty shall become null and void* and neither KisanKraft Limited nor any of its manufacturers, nor its authorized dealers assumes any responsibility, if the failure was caused by the following:

- (1) Operation of product with incorrect fuel or lubricants, (2) Incorrect usage of machine or misuse, (3) Lack of maintenance, (4) Negligence, (5) Accident or physical damage, (6) Repairs made by unauthorized parties and/or with unauthorized parts, (7) Improper set up, adjustments, tampering or altered products (8) Any modification to the product what-so-ever.

**Important:** (1) Normal maintenance and adjustments to the product is the responsibility of the customer. (2) Normal wear and tear are not covered under warranty. (3) Rubber/plastic parts and consumables such as blades, clutch and clutch-bell, sparkplugs, nylon line, air-filters, fuel-filters, oil seals and gaskets etc. are not covered under the warranty. (4) Electrical Motor, Electrical Parts, Battery Etc. are not covered under the warranty.

**Incidental / Consequential Loss:** KisanKraft Limited or its manufacturers will not be liable for general damages, including bodily injuries, or for incidental or consequential damages

including, but not limited to, loss of use, loss of profits, loss of production, expense of substitute equipment or other commercial loss or damage.

**Limitation of Liability:** This limited warranty is in lieu of all other express warranties, obligations, or liabilities. Any implied warranties, obligations or liabilities, including, but not limited to, any implied warranty of merchantability shall be limited in duration to the applicable warranty period. Any action for breach of any warranties hereunder, including, but not limited to, any implied warranty of merchantability must be brought within the applicable warranty period.

**Modifications of Warranty:** No agent, representative, dealer, or employee of KisanKraft Limited or any of its manufacturers has the authority to increase or alter the obligations of this warranty.

**Assignment / Transfer of warranty:** The warranty cannot be assigned and shall not transfer if the product is resold by the first buyer. The above warranties are extended to the first end user (original purchaser), and no warranty is made, nor authorized to be made assignable on resale by the first end user.

**What you must do to obtain limited warranty service:** To obtain performance of any obligation under this warranty for failure during the applicable warranty period, you must deliver the defective product, to the nearest Authorized Dealer, along with proof-of-purchase (invoice/receipt). KisanKraft Limited, its manufacturers and its dealers reserve the right to inspect the claimed defective part(s) to determine if the malfunction is the result of a defect covered by this warranty. Please note that the decision of KisanKraft Limited with respect to any warranty claim is final.

**After-sales Service (Including Warranty):** KisanKraft Limited does not sell directly to consumers. All sales or supplies are made through Authorized Dealers. It is the responsibility of the Authorized Dealer to provide all after-sales service to consumers. Any warranty claim should be raised by dealer to KisanKraft Limited as per warranty policy.

**Jurisdiction:** All disputes are subject to Bangalore court's jurisdiction.

**Notes:**

- This purchase is not contingent upon a product demonstration. The purchaser shall satisfy himself with the product, including any product demonstration or verification of any function, before buying. KisanKraft Limited or its authorized dealers, including online sellers, shall not be liable to give any on-site demonstration after purchase of any of the product.
- Any product once used will not be taken back by KisanKraft Limited.
- Warranty and After Sale Services (including but not limited to installation, Demonstration, Repair, Routine Maintenance etc.), should be done through the Authorized Dealer selling this product.
- Dealers should have their own technician to provide After Sales Services to their Customers. KisanKraft Limited provides free training to Authorized Dealer's technicians at KisanKraft Limited's head office, on request from Authorized Dealer.
- 

Product	<b>THERMAL FOGGING SPRAYER</b>	KisanKraft Invoice Date	
Brand	<b>KisanKraft</b>	KisanKraft Invoice No.	
Model	<b>☐ KK-TF 8610</b>		
<b>WARRANTY PERIOD</b>	<b>6 MONTHS</b>	FOR THE SPECIFIED PERIOD FROM THE DATE OF SALE OR DELIVERY WHICHEVER IS EARLIER.	
Dealer's Invoice Date		Dealer's Invoice No.	
Buyer's Info (Name, Address, Phone, etc.):		Dealer's Stamp (Address, Phone, TIN, etc.):	
Buyer's Sign		Dealer's Sign	

**Warranty Policy**

**What is covered:** KisanKraft Limited and its manufacturers warrant this product to be free from defects in material or workmanship. All parts defective in material and workmanship are covered.

This warranty will only cover defects arising under normal usage.

This warranty is limited to repair or replacement by KisanKraft Limited or its manufacturers of such parts as appear to KisanKraft or its manufacturers, upon inspection, to be defective in material and/or workmanship. KisanKraft or its manufacturers make no warranty with respect to items not manufactured or sold by them. No onsite warranty is provided by KisanKraft Limited or its manufacturers. Defective items must be brought/sent to our Authorized Dealer or KisanKraft Limited's office for service.

**What is not covered:** The *warranty shall become null and void* and neither KisanKraft Limited nor any of its manufacturers, nor its authorized dealers assumes any responsibility, if the failure was caused by the following:

- (1) Operation of product with incorrect fuel or lubricants, (2) Incorrect usage of machine or misuse, (3) Lack of maintenance, (4) Negligence, (5) Accident or physical damage, (6) Repairs made by unauthorized parties and/or with unauthorized parts, (7) Improper set up, adjustments, tampering or altered products (8) Any modification to the product what-so-ever. **Important:** (1) Normal maintenance and adjustments to the product is the responsibility of the customer. (2) Normal wear and tear are not covered under warranty. (3) Rubber/plastic parts and consumables such as blades, clutch and clutch-bell, sparkplugs, nylon line, air-filters, fuel-filters, oil seals and gaskets etc. are not covered under the warranty. (4) Electrical Motor, Electrical Parts, Battery Etc. are not covered under the warranty.

**Incidental / Consequential Loss:** KisanKraft Limited or its manufacturers will not be liable for general damages, including bodily injuries, or for incidental or consequential

**This warranty is null & void, if you fail to register the warranty with KisanKraft by sending the KisanKraft Copy with dealer's stamp.**

**KisanKraft Limited**

**Wide Range of Products for Every Need**



**User Manual**



**POWERED BY A-SUNG**

**KisanKraft Limited**

**Warehouse:** 818 3B1 to 818 3B18, Podalakur - Sangam Road, Prabagiripatnam, Podalakur, Nellore - 524345, Andhra Pradesh, INDIA

**Head Office:** #4, 1<sup>st</sup> Main, 7-A Cross, Maruthi Layout, Dasarahalli, HAF Post, Hebbal, Bangalore 560024, Karnataka, INDIA

- ◆ Bangalore (HO) ◆ Ahmedabad ◆ Bhopal ◆ Bhubaneswar ◆ Coimbatore
- ◆ Guwahati ◆ Hubli ◆ Hyderabad ◆ Jaipur ◆ Karnal
- ◆ Kolkata ◆ Lucknow ◆ Nellore ◆ Pune ◆ Raipur

For more information give **MISSED CALL: 07676065555**



Many of our products have BIS: ISI certification.



Scan the QR code to download KisanKraft App

App is available on Google Play



Scan the QR code for KisanKraft Youtube Channel

YouTube

**CONTENTS**

BEFORE GETTING STARTED..... 7

APPLICATION AND FEATURES..... 7

SAFETY INSTRUCTIONS ..... 7

PRODUCT OVERVIEW ..... 10

OPERATION INSTRUCTIONS..... 11

TECHNICAL SPECIFICATIONS..... 13

PARTS DIAGRAM KK-TF-8610 ..... 14

KisanKraft has a large range of products to serve the farmers. A list of our products is given below:

<p><b>Brush Cutters and Accessories</b></p> <ul style="list-style-type: none"> <li>Brush Cutter/Power Weeder</li> <li>Backpack Brush Cutter</li> <li>Tea Pruner</li> <li>Pole pruner with Engine</li> <li>Reaper Attachment</li> <li>Blades-Circular</li> <li>Blades (2 &amp; 3 points)</li> <li>Baffle</li> <li>Nylon Rope</li> <li>Tap &amp; Go</li> </ul> <p><b>Chainsaws</b></p> <ul style="list-style-type: none"> <li>Petrol Chainsaw</li> <li>Electric Chainsaw</li> <li>Chain Sharpening Machine</li> </ul> <p><b>Engines and Water Pumps</b></p> <ul style="list-style-type: none"> <li>Engine –Diesel-(Horizontal)</li> <li>Engine –Diesel(Vertical)</li> <li>Engine-Kerosene</li> <li>Water Pump with Petrol Engine</li> <li>Water Pump with Kerosene Engine</li> <li>Water Pump with Diesel Engine</li> </ul> <p><b>Hand Tools</b></p> <ul style="list-style-type: none"> <li>Secateurs</li> <li>Folding Saw</li> <li>Garden Rake</li> <li>Garden Shovel</li> <li>Hedge Shear</li> <li>Lopper</li> <li>Telescopic Hedge Shear</li> <li>Telescopic Lopping Shear</li> <li>Tree Pruner</li> <li>Telescopic Steel Pipe &amp; Fruit Picker</li> <li>Bag</li> <li>Sheep Shear</li> </ul> <p><b>Garden Tools</b></p> <ul style="list-style-type: none"> <li>Electric Pressure Washer</li> <li>Hedge Trimmer</li> <li>Lawn Mower (Electric, Petrol &amp; Manual)</li> <li>Leaf Blower</li> </ul>	<p><b>Cultivators and Accessories</b></p> <p>Petrol and Diesel</p> <p><b>Sprayers and Accessories</b></p> <ul style="list-style-type: none"> <li>Battery Sprayer</li> <li>Portable Power Sprayer</li> <li>Trolley Sprayer</li> <li>Manual Knapsack Sprayer</li> <li>Manual Pressure Sprayer</li> <li>Rose Cans</li> <li>Hose Crimping Machine</li> <li>HTP Sprayer</li> <li>HTP Delivery Hose</li> <li>HTP Hose Reel</li> <li>HTP Stand</li> <li>HTP Gun / Lance(Brass Rod)</li> <li>Knapsack Power Sprayer</li> <li>Mister / Duster / Granuel Spreader</li> <li>HTP Sprayer Set with Diesel Engine</li> <li>HTP Sprayer Set with Kerosene Engine</li> <li>Fogging Machine</li> </ul> <p><b>Milking Machine</b></p> <ul style="list-style-type: none"> <li>Wood Shredder</li> <li>Fodder Ensiling Chaff Cutter</li> <li>Fodder Grinder Chaff Cutter</li> <li>Fodder Mini Chaff Cutter</li> </ul> <p><b>Harvester</b></p> <ul style="list-style-type: none"> <li>Maize Sheller</li> <li>Maize Sheller + Dehusker</li> <li>Maize Combine Harvester</li> <li>Onion Digger Carlotti Italy</li> <li>Tea Leaf Harvester</li> <li>Sugarcane Combine Harvester</li> <li>Sugarcane Leaf Stripper</li> </ul> <p><b>Transplanter and Post Hole Digger</b></p> <ul style="list-style-type: none"> <li>Paddy Transplanter (2 &amp; 8 Rows)</li> <li>Transplanter-Vegetable &amp; Tobacco</li> <li>Post Hole Digger(4" to 14"Augers)</li> </ul>
---	---

15	AS-2000-15	METAL GAS FIXED BODY	49	AS-2000-49	RING
16	AS-2000-16	O' Ring	50	AS-2000-50	HEX NUT
17	AS-2000-17	BOLT	51	AS-2000-51	CHANGE CHECK VALVE
18	AS-2000-18	WATER PUMP PISTON	52	AS-2000-52	BALL(SUS)'S'
19	AS-2000-19	O' Ring(P10A)	53	AS-2000-53	HEX NUT
20	AS-2000-20	cancel	54	AS-2000-54	Coil
21	AS-2000-21	FITTING	55	AS-2000-55	COIL PROTECTION
22	AS-2000-22	TUBE	56	AS-2000-56	BOLT
23	AS-2000-23	WATER HOOD CHECK VALVE	57	AS-2000-57	LIGHT CERAMIC CLIP
24	AS-2000-24	cancel	58	AS-2000-58	LIGHT CERAMIC PART
25	AS-200-25	cancel	59	AS-2000-59	LIGHT CERAMIC PLATE
26	AS-200-26	COOLING TANK	60	AS-2000-60	BOLT
27	AS-200-27	CHEMICAL TANK	61	AS-2000-61	Nozzle
28	AS-200-28	CYLINDER	62	AS-2000-62	BOLT
29	AS-200-29	BALL(SUS)'L'	63	AS-2000-63	CASE(B)
30	AS-200-30	PUMP PISTON	64	AS-2000-64	cancel
31	AS-200-31	WARRING	65	AS-2000-65	Earthing Sheet Copper
32	AS-200-32	BALL(SUS)'S'	66	AS-2000-66	Ignition
33	AS-200-33	SPRING & WASHER	67	AS-2000-67	cancel
34	AS-200-34	SPRING GUIDE			

Product	<b>THERMAL FOGGING SPRAYER</b>	KisanKraft Invoice Date	
Brand	<b>KisanKraft</b>	KisanKraft Invoice No.	
Model	□ KK-TF 8610		
<b>WARRANTY PERIOD</b>	<b>6 MONTHS</b>	FOR THE SPECIFIED PERIOD FROM THE DATE OF SALE OR DELIVERY WHICHEVER IS EARLIER.	
Dealer's Invoice Date		Dealer's Invoice No.	
Buyer's Info (Name, Address, Phone, etc.):		Dealer's Stamp (Address, Phone, TIN, etc.):	
Buyer's Sign		Dealer's Sign	

**Warranty Policy**

**What is covered:** KisanKraft Limited and its manufacturers warrant this product to be free from defects in material or workmanship. All parts defective in material and workmanship are covered.

This warranty will only cover defects arising under normal usage. This warranty is limited to repair or replacement by KisanKraft Limited or its manufacturers of such parts as appear to KisanKraft or its manufacturers, upon inspection, to be defective in material and/or workmanship. KisanKraft or its manufacturers make no warranty with respect to items not manufactured or sold by them. No onsite warranty is provided by KisanKraft Limited or its manufacturers. Defective items must be brought/sent to our Authorized Dealer or KisanKraft Limited's office for service.

**What is not covered:** The *warranty shall become null and void* and neither KisanKraft Limited nor any of its manufacturers, nor its authorized dealers assumes any responsibility, if the failure was caused by the following:

- (1) Operation of product with incorrect fuel or lubricants,
- (2) Incorrect usage of machine or misuse,
- (3) Lack of maintenance,
- (4) Negligence,
- (5) Accident or physical damage,
- (6) Repairs made by unauthorized parties and/or with unauthorized parts,
- (7) Improper set up, adjustments, tampering or altered products
- (8) Any modification to the product what-so-ever.

**Important:** (1) Normal maintenance and adjustments to the product is the responsibility of the customer. (2) Normal wear and tear are not covered under warranty. (3) Rubber/plastic parts and consumables such as blades, clutch and clutch-bell, sparkplugs, nylon line, air-filters, fuel-filters, oil seals and gaskets etc. are not covered under the warranty. (4) Electrical Motor, Electrical Parts, Battery Etc. are not covered under the warranty.

**Incidental / Consequential Loss:** KisanKraft Limited or its manufacturers will not be liable for general damages, including bodily injuries, or for incidental or consequential damages

including, but not limited to, loss of use, loss of profits, loss of production, expense of substitute equipment or other commercial loss or damage.

**Limitation of Liability:** This limited warranty is in lieu of all other express warranties, obligations, or liabilities. Any implied warranties, obligations or liabilities, including, but not limited to, any implied warranty of merchantability shall be limited in duration to the applicable warranty period. Any action for breach of any warranties hereunder, including, but not limited to, any implied warranty of merchantability must be brought within the applicable warranty period.

**Modifications of Warranty:** No agent, representative, dealer, or employee of KisanKraft Limited or any of its manufacturers has the authority to increase or alter the obligations of this warranty.

**Assignment / Transfer of warranty:** The warranty cannot be assigned and shall not transfer if the product is resold by the first buyer. The above warranties are extended to the first end user (original purchaser), and no warranty is made, nor authorized to be made assignable on resale by the first end user.

**What you must do to obtain limited warranty service:** To obtain performance of any obligation under this warranty for failure during the applicable warranty period, you must deliver the defective product, to the nearest Authorized Dealer, along with proof-of-purchase (invoice/receipt). KisanKraft Limited, its manufacturers and its dealers reserve the right to inspect the claimed defective part(s) to determine if the malfunction is the result of a defect covered by this warranty. Please note that the decision of KisanKraft Limited with respect to any warranty claim is final.

**After-sales Service (Including Warranty):** KisanKraft Limited does not sell directly to consumers. All sales or supplies are made through Authorized Dealers. It is the responsibility of the Authorized Dealer to provide all after-sales service to consumers. Any warranty claim should be raised by dealer to KisanKraft Limited as per warranty policy.

**Jurisdiction:** All disputes are subject to Bangalore court's jurisdiction.

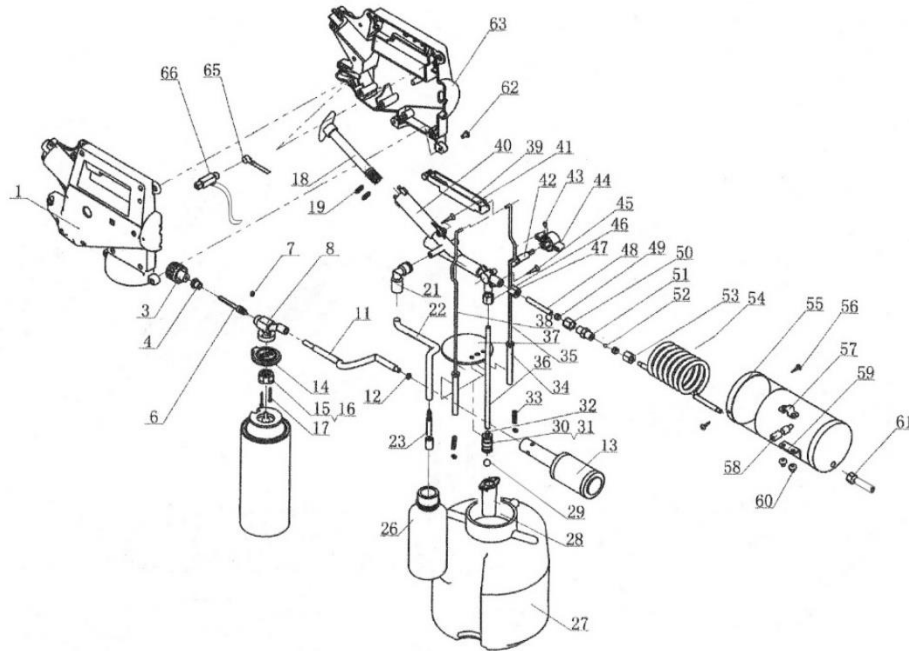
**Notes:**

- This purchase is not contingent upon a product demonstration. The purchaser shall satisfy himself with the product, including any product demonstration or verification of any function, before buying. KisanKraft Limited or its authorized dealers, including online sellers, shall not be liable to give any on-site demonstration after purchase of any of the product.
- Any product once used will not be taken back by KisanKraft Limited.
- Warranty and After Sale Services (including but not limited to installation, Demonstration, Repair, Routine Maintenance etc.), should be done through the Authorized Dealer selling this product.
- Dealers should have their own technician to provide After Sales Services to their Customers. KisanKraft Limited provides free training to Authorized Dealer's technicians at KisanKraft Limited's head office, on request from Authorized Dealer.

**Part List**

SL NO.	PART NO.	DESCRIPTION	SL NO.	PART NO.	DESCRIPTION
1	AS-2000-01	CASE(A)	35	AS-200-35	PUMPING ROD 1
2	AS-2000-02	cancel	36	AS-200-36	PUMPING PIPE
3	AS-2000-03	ORANGE KNOB	37	AS-2000-37	PACKING
4	AS-2000-04	GAS BODY NUT	38	AS-2000-38	PUMPING ROD 2
5	AS-2000-05	cancel	39	AS-2000-39	PUMPING LEVER
6	AS-2000-06	GAS PIN	40	AS-2000-40	CHECK VALVE
7	AS-2000-07	O' Ring	41	AS-2000-41	BOLT
8	AS-2000-08	GAS BODY	42	AS-2000-42	CHECK VALVE PIN
9	AS-2000-09	cancel	43	AS-2000-43	BOLT
10	AS-2000-10	cancel	44	AS-2000-44	CONTROL LEVER
11	AS-2000-11	GAS PIPE	45	AS-2000-45	BOLT
12	AS-2000-12	GAS FILTER	46	AS-2000-46	HEX NUT
13	AS-2000-13	BURNER	47	AS-2000-47	HEX NUT
14	AS-2000-14	GAS CAN LOCK PLASTIC (BLACK)	48	AS-2000-48	CHECK VALVE CONNECT PIPE

**PARTS DIAGRAM KK-TF-8610**



**BEFORE GETTING STARTED**

Thank you for your purchase and use of our products. In order to avoid accidents or injury, **please read this manual carefully** before using the machine. After reading, preserve it for further reference.

**APPLICATION AND FEATURES**

1. The right machine for agricultural and forestry insect control and for the prevention of epidemic disease.
2. Simplified design for easy operation and maintenance
3. Light in weight and balanced.
4. Strong power burst, long spray range, high work efficiency.
5. Stainless Steel Body to prevent corrosion. (KK-TF-8625S).

**SAFETY INSTRUCTIONS**

1. During the use and handling of chemicals, the operator must comply with the safety operation instructions provided by the chemical manufacturer to avoid damage to human beings and the environment.
2. Always wear protection suit when handling chemicals.
3. Maintenance and replenishment of chemicals should be done only when the fogger machine is in cool state.
4. Do not enter into the room directly that has been sprayed with chemicals.
5. Check the fogger before each operation.
6. Do not lay the fogger on its side.
7. Do not operate or refuel the machine near the fire.
8. Fogger should not be operated close to any person (a radius of 3 meters).
9. Do not touch the fogger body while it is still hot.
10. It is advisable to check and maintain the battery at regular intervals.(KK TF-8625S/KK TF-8630)
11. **To avoid burning of hand or clothes, while the engine is running, do not touch the cooling pipe or the end part of the combustion chamber.** .(KK TF-8625S/KK TF-8630)

12. When fogging, do not point the machine too closely to the plant or other objects. Do not let the cooling pipe touch the objects that are flammable. It is better to keep a distance of 2 meters. Do not fogging in flammable locations.
13. Do not use wood pulp or wood sticks or other flammable objects to put into the combustion chamber because it may cause bursting of sparks resulting in burns to the people around it /and or even can cause a fire. (KK TF-8625S/KK TF-8630)
14. The temperature in the chamber could reach up to 1000°C during operation, make sure the spray volume should be at higher levels to help cool down the temperature in the chamber, as low spray volume does not help to resist the high temperature from increasing making the stainless-steel melt under 1500°C. (KK TF-8625S/KK TF-8630)

## TECHNICAL SPECIFICATIONS

Thermal fogging sprayer	<b>KK-TF-8610</b>
Chemical tank	2 L
Fuel	Butane Gas
Particle (microns)	5-30 $\mu$ m

Product specifications are subject to change without prior notice.




• **Matters to be considered**

- After using it, separate the basket from the device before storing it.
- When storing it over 1 week, store the body part and the chemicals tank ① being separated.
- Keep the distance of 5mm between the smokescreen coil ⑨ and the ignition insulator ⑩.
- When attaching the butane gas to the device, insert the protruding part of the gas connecting bracket to the groove of the gas tank and turn it to the right direction to fix it tightly.
- When even relocating it, move it through making the smokescreen work keep (or water wash-down can be carried out).
- The smokescreen work should be operated over heat as low as the mixed liquid in the chemicals tank ① can be gasified.









• **Caution**

- If the amount of smoke rapidly decreases during the smokescreen work or the coil is blocked, stop the smokescreen work.
- When the device is used in force, it can be damaged.
- When other solutions including petroleum or gasoline, except gas oil, are mixed with the chemicals, it can cause damage or fire.
- If the chemicals are mixed in higher concentration than the diluting rate described in the manual, it can cause the coil to be clogged.

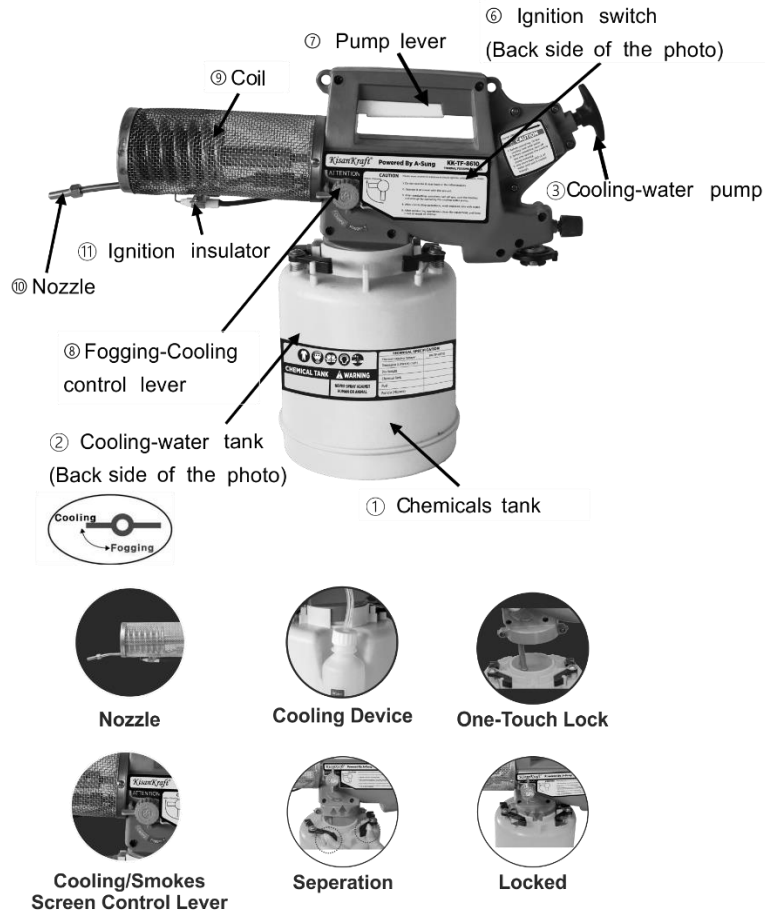
15.

	<p><b>Never refuel while the engine is ON. When refueling is needed, turn off the engine first and then wait for about 15-20 minutes for the engine to cool down. If the engine is still hot, fuel spills could result in a fire. It is recommended to fill chemical first before filling the fuel and not to keep the engine idle without fogging.</b></p>
---	---

**Warning signs**

	Read the manual		Use a mask
	Wear protective clothing		Use gloves
	Wash after work		Caution! Risk of burning
	Safety warnings		Caution! Risk of fire

PRODUCT OVERVIEW



OPERATION INSTRUCTIONS

- Put light oil(Diesel) of 1.8L and pesticide of 20cc into the chemicals tank
  - ① and dilute them (diluting rate of 100:1).
  - Fill the coil-pipe cooling purposed water tank ② with water and install the liquefied butane gas ④ in the device.
  - Locate the smokescreen- and cooling-purposed adjusting lever ⑧ at the cooling (leveling the lever's wing) and operate the cooling-purposed water pump ③ 9 to 10 times to check whether or not the smokescreen coil ⑨ is correct and clogged.
  - After opening the gas adjusting lever ⑤ and checking gas jet is correctly set, push the ignition switch ⑥ and start igniting.
  - When locating the smokescreen- and cooling-purposed adjusting lever ⑧ at the smokescreen (making the lever's wing vertical), and repeating gripping and releasing of the smokescreen pump lever ⑦, the smokescreen is set
  - (it is a manual pumping device).
- ※ If the smokescreen pump lever ⑦ remains non-operated but igniting, the coil will be blocked.
- Right after the completion of the smokescreen work, locate the smokescreen- and cooling-purposed adjusting lever ⑧ at the cooling (leveling the lever's wing), run the cooling-purposed water pump ③ repeatedly when heat remains on the smokescreen coil ⑨ to cleanse the smokescreen coil ⑨, then lock the gas adjusting lever ⑤.

(After the completion of the smokescreen work, make sure that always cleanse it through exhausting all the water of 200cc in the coil-pipe cooling purposed water tank ②)